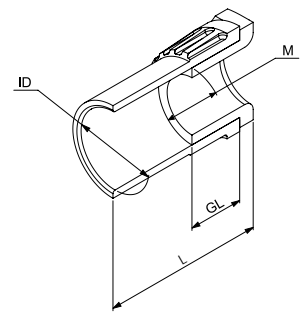


# Data sheet

ID	<b>AFT/MBS WH</b>
Description	adaptor with female thread and male bush
Properties	for the connection of rigid or pliable conduits with distribution and enclosure boxes
Colour	white, similar to RAL 9010



Working temperature  
-5 to 60 °C

Art. no.	Nominal diameter	Thread connection size	Thread length	Total length	Small Package	Large Package
010 183	16 mm	M16 x 1.5	11 mm	30 mm	100 pc	2400 pc
010 184	20 mm	M20 x 1.5	14 mm	35 mm	100 pc	1200 pc
010 185	25 mm	M25 x 1.5	14 mm	45 mm	50 pc	600 pc
010 186	32 mm	M32 x 1.5	14 mm	48 mm	20 pc	480 pc
010 187	40 mm	M40 x 1.5	14 mm	52 mm	25 pc	300 pc
010 188	50 mm	M50 x 1.5	16 mm	66 mm	10 pc	120 pc

## Areas of Recommended Application

Area	
Approved in combination with protective conduit CSA	False
Approved in combination with protective conduit UR	False
Approved in combination with protective conduit VD TÜV/GGVS	False
Approved in combination with protective conduit DIN EN 61386-23	False
Approved in combination with protective conduit Lloyd's Register	False

## Further technical details

Details	
Model	Straight
Revolving thread	False
Construction type	Internal thread
Type of connection	Plug-in connection
Thread type	Metric
Material sealing	No sealing
Material	PVC-U