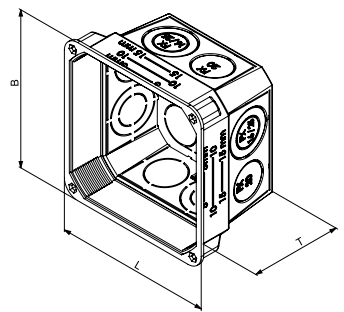


Data sheet

ID	AK/U
Description	distribution box
Properties	with pre-punched conduit entries, easy to knock-out
Colour	black, similar to RAL 9005
Classification	AC 400 V



Norms: ÖVE/ÖNORM EN 60670-1:2014, ÖVE/ÖNORM EN 60670-22:2007



Halogen free

True

Degree of protection (IP)

IP30

Art. no.	Dimensions Ø/LxB x T	Small Package	Large Package
020 924	75 x 75 x 50 mm	100 pc	3500 pc
020 925	100 x 100 x 50 mm	100 pc	2400 pc
020 926	150 x 150 x 70 mm	50 pc	1200 pc
020 927	200 x 200 x 80 mm	20 pc	480 pc

Further technical details

Details	
break-out opening	True
seal membrane	False
nozzle	False
step membrane	False
Mounting switching equipment	
Luminaire hook mounting	False
Nozzle	None
With nail lugs	False
Circuit integrity	None

Details	
Model	Single
Shape	Square
Mounting method	Flush mounted (plaster)
With screws	False
Provided with revolving ring	False
Connectable	False
Equipped with	None
Cover attachment	Snap on
Material	PS