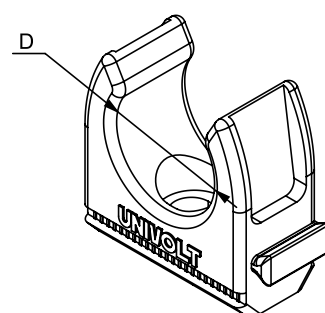


Data sheet

ID	HFCL LG
Description	clip, interlinkable, halogen-free
Properties	for fixation of rigid or pliable conduits on various surfaces, mounting possible with nails, screws or DSD plugs
Colour	light grey, similar to RAL 7035



Working temperature
-25 to +90 °C

UV-Level*
L2

Art. no.	For tube diameter	ps	pl
041 428	16 mm	100 pc	3200 pc
041 016	20 mm	100 pc	2400 pc
041 429	25 mm	100 pc	1600 pc
041 430	32 mm	100 pc	1600 pc
041 431	40 mm	50 pc	800 pc
041 432	50 mm	50 pc	600 pc
041 433	63 mm	25 pc	300 pc

Further technical details

Details	
Closed	True
Tackable	True
Max. number of tubes	1
Type of fastening	Screw hole
With inlay	False
Material	PC-Blend

*) L1: Indoor use - to avoid UV discoloration (no exposure to direct sunlight).

L2: Partially shaded: Outside, in areas with sun only for two to four hours a day, in shadowy places.

L3: Full sun: To be used also in areas with whole-day exposure to sunlight, e. g. roofs, antenna poles or PV panels.

Civil engineering and road construction products marked "L2" have to be laid in the shortest time possible to ensure color fastness and stability.

All figures refer to standardised test samples and are given to our best knowledge but without further commitment. It is Univolt's belief that information set forth in this Data Sheet is accurate, Univolt, Dietzel GmbH, 1110 Wien, 1. Haidequerstraße 3-5, www.dietzel-univolt.com, makes no warranty, expressed or implied, with respect thereto and disclaims any liability from reliance thereon. All data are subject to change without prior notice.