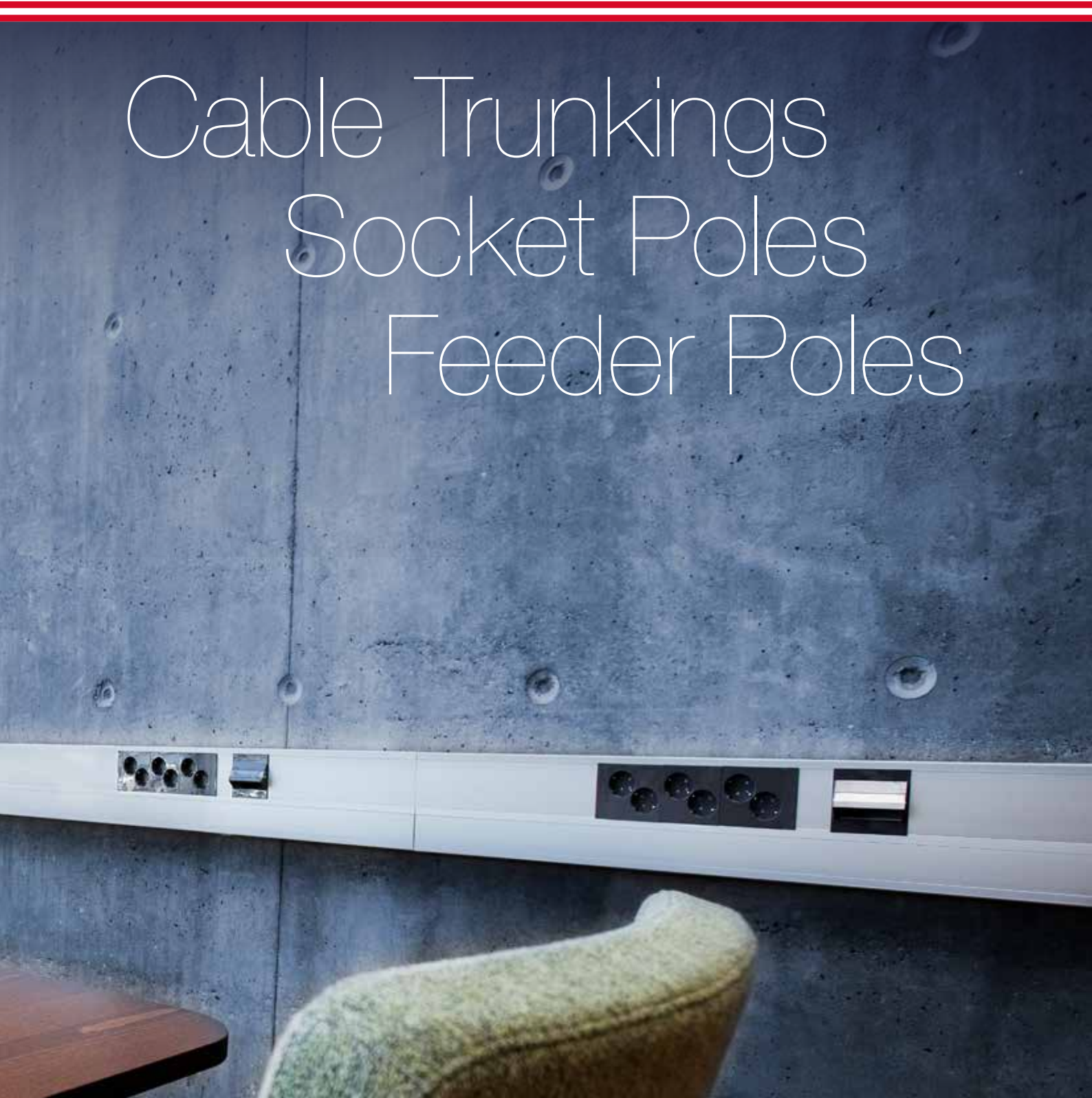


Cable Trunkings  
Socket Poles  
Feeder Poles





Wide selection of products.



Easy to instal trunking systems.



For construction and electrical renovation projects.

---

#### Instal® 100

##### Aluminium cable trunking

For 80 mm sockets

Cross-section area for cables 5 700 mm<sup>2</sup>

---

#### Instal® 108-45

##### Aluminium cable trunking

For 45 mm sockets

Cross-section area for cables 6 300 mm<sup>2</sup>

---

#### Instal® 130

##### Aluminium cable trunking

For 80 mm sockets

Cross-section area for cables 7 440 mm<sup>2</sup>

---

#### Instal® 144

##### Aluminium cable trunking

For 80 mm sockets

Cross-section area for cables 8 390 mm<sup>2</sup>

---

#### Instal® 144-2-45

##### Aluminium cable trunking

For two 45 mm sockets

Cross-section area for cables 8 390 mm<sup>2</sup>

Perforated inside wall

---

#### Instal® 170-1

##### Aluminium cable trunking

For 80 mm sockets

Cross-section area for cables 9 915 mm<sup>2</sup>

---

#### Instal® 170-2

##### Aluminium cable trunking

For 80 mm sockets,

separate cross-section area

Cross-section area for cables 9 765 mm<sup>2</sup>

Perforated inside wall

---

#### Instal® 170-2-45

##### Aluminium cable trunking

For 80 mm ja 45 mm sockets

Cross-section area for cables 9 765 mm<sup>2</sup>

Perforated inside wall

---

#### Instal® 170-2 90

##### Aluminium cable trunking, 90 mm depth

For 80 mm sockets,

separate cross-section area

Cross-section area for cables 13 870 mm<sup>2</sup>

Perforated inside wall

---

#### Instal® 170-2F

##### Aluminium cable trunking for flush mounting

For two 80 mm sockets

Separate cross-section area.

Cross-section area for cables 9 765 mm<sup>2</sup>

Perforated inside wall.

---

#### Instal® 210-2

##### Aluminium cable trunking

Foe two 80 mm sockets

Cross-section area for cables 12 120 mm<sup>2</sup>

Perforated inside wall

---

#### Instal® FT40

##### Aluminium cable trunking

Cross-section area for cables 581 mm<sup>2</sup>

White narrow cable trunking

Cover included

---

#### Instal® SP 45-1

##### One-sided socket pole

Standard and customizable models

---

#### Instal® SP 45-2

##### Two-sided socket pole

Standard and customizable models

---

#### Instal® SP 45-4

##### Four-sided socket pole

Customizable model

---

#### Instal® SP P50

##### Round feeder pole

Diameter 50 mm

---

#### Instal® SP P85

##### Round feeder pole

Diameter 85 mm



**New!**  
White Instal®-  
cable trunking is  
now whiter than ever.  
Product numbers  
have changed.

Gloss level for painted  
cable trunkings is  
85±5.



**New!**  
Instal 170-2F  
cable trunking profile  
is renewed and enables  
the use of more Instal-  
system parts.



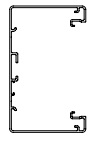
**New!**  
Adjusting  
pieces made  
from steel.  
Adjustment from  
both sides.



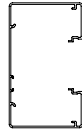
Cable Trunkings, Socket Poles and Feeder Poles

Instal® Cable Trunkings.....4	Cable tie clamp Instal® CH.....28	Feeder pole Instal® SP P85.....39
Instal® 100 system.....6	Mounting box Basic MB .....29	Cover Instal® K45 PRP .....39
Instal® 108-45 system .....7	End caps with strain relieves Basic EC....29	Flexible conduit Instal® WP .....39
Instal® 130 system.....8	Earthing coupler Instal® ML.....29	Ceiling frame Instal® MB1 .....40
Instal® 144 system.....9	Instal® SP 45-1 system .....31	Ceiling bracket Instal® MB2 .....40
Instal® 144-2-45 system .....10	Instal® SP 45-2 system .....32	Flexible conduit bracket Instal® MB3.....40
Instal® 170-1 system .....11	Instal® SP 45-4 system .....33	Table bracket Instal® TB.....40
Instal® 170-2 system .....12	Instal® SP P50 system .....34	Mounting Clamp Instal® MC.....41
Instal® 170-2-45 system.....13	Instal® SP P85 system .....35	Floor base Instal® FS .....41
Instal® 170-2 90 system .....14	Socket pole Instal® SP 45-1 .....36	Floor Clamp Instal® FC .....41
Instal® 170-2F system .....15	Socket pole Instal® SP 45-2 .....37	End piece Instal® LE .....41
Instal® 210-2 system .....16	Socket pole Instal® SP 45-4 .....38	
Cable trunking installation instructions ....17	Feeder pole Instal® SP P50.....38	

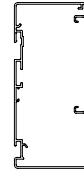
# Instal® Cable Trunkings M AD



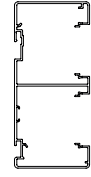
INSTAL® 100



INSTAL® 108-45

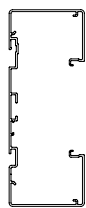


INSTAL® 130

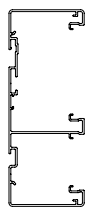


INSTAL® 144-2-45

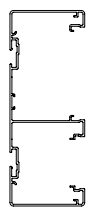
<b>Cable trunking base</b>		Instal 100 M PW Instal 100 AD	Instal 108-45 M PW Instal 108-45 AD	Instal 144 M PW Instal 144 AD	Instal 144-2-45 M PW Instal 144-2-45 AD
<b>Cover</b>		Instal K80 M PW Instal K80 AD		Instal K80 M PW Instal K80 AD	
<b>Cover</b>			Instal K45 M PW Instal K45 AD		Instal K45 M PW Instal K45 AD
<b>Joint</b>		Instal J	Instal J	Instal J	Instal J
<b>Corner piece</b>		Instal KU100 M PW Instal KU100 AD	Instal KU108 M PW Instal KU108 AD	Instal KU130 M PW Instal KU130 AD	Instal KU144 M PW Instal KU144 AD
<b>End plate</b>		Instal P100 M Instal P100 AD	Instal P108 M Instal P108 AD	Instal P130 M Instal P130 AD	Instal P144 M Instal P144 AD
<b>Wall collar</b>		Instal LVK 100	Instal LVK 108	Instal LVK 130	Instal LVK 144
<b>Trunking collar</b>		Instal LK 100	Instal LK 108	Instal LK 130	Instal LK 144
<b>Wall bracket</b>				Instal SK 20 Instal SK 40 Instal SK 75 Instal SK 100 Instal SK 125	Instal SK 20 Instal SK 40 Instal SK 75 Instal SK 100 Instal SK 125
<b>Decorative rib</b>		Instal PS M PW Instal PS AD	Instal PS M PW Instal PS AD	Instal PS M PW Instal PS AD	Instal PS M PW Instal PS AD
<b>Joint</b>		Instal PSJ	Instal PSJ	Instal PSJ	Instal PSJ
<b>Joint cover</b>		Instal UT 100 M Instal UT 100 AD	Instal UT 108 M Instal UT 108 AD	Instal UT 130 M Instal UT 130 AD	Instal UT 144 M Instal UT 144 AD
<b>Adjusting piece</b>				Instal SL2 Used with wall bracket SK.	Instal SL2 Used with wall bracket SK.
<b>Cable shelf</b>		Instal VS M PW Instal VS2 M PW		Instal VS M PW Instal VS2 M PW	
<b>Earthing coupler</b>		Instal ML	Instal ML	Instal ML	Instal ML
<b>Sound isolation piece</b>		Instal LIS-80	Instal LIS-48	Instal LIS-80	Instal LIS-48
<b>Mounting box</b>		Basic MB		Basic MB	
<b>End caps with strain relieves</b>		Basic EC		Basic EC	



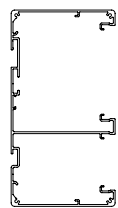
INSTAL® 170-1



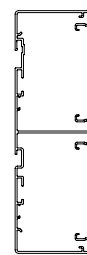
INSTAL® 170-2



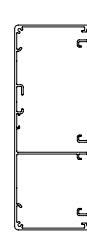
INSTAL® 170-2-45



INSTAL® 170-2-90

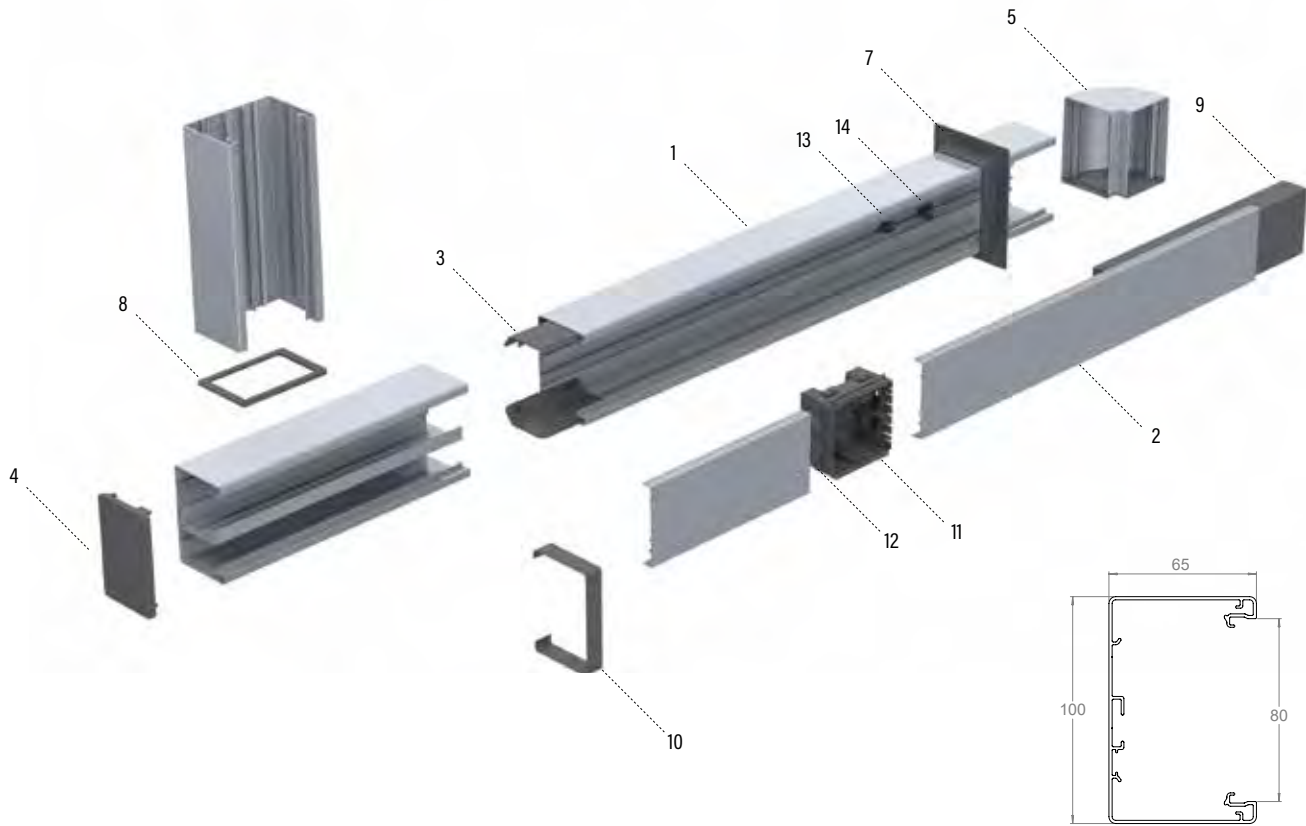


INSTAL® 210-2



INSTAL® 170-2F

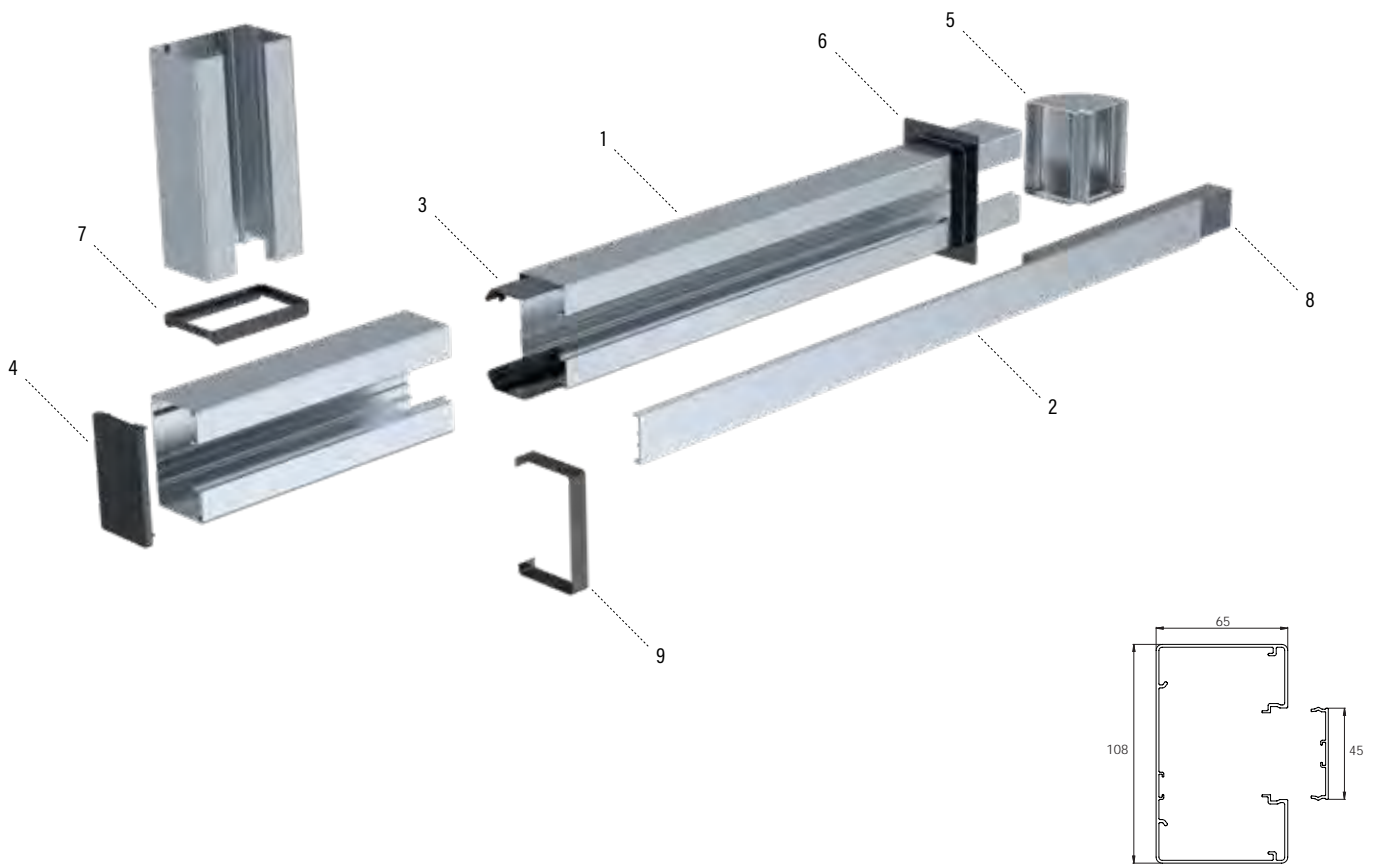
Instal 170-1 M PW Instal 170-1 AD	Instal 170-2 M PW Instal 170-2 AD	Instal 170-2-45 M PW Instal 170-2-45 AD	Instal 170-2-90 M PW Instal 170-2-90 AD	Instal 210-2 M PW Instal 210-2 AD	Instal 170-2F M PW Instal 170-2F AD
Instal K80 M PW Instal K80 AD	Instal K80 M PW Instal K80 AD	Instal K80 M PW Instal K80 AD	Instal K80 M PW Instal K80 AD	Instal K80 M PW Instal K80 AD	Instal K80 M PW Instal K80 AD
	Instal K48 M PW Instal K48 AD	Instal K45 M PW Instal K45 AD	Instal K48 M PW Instal K48 AD		Instal K48 M PW Instal K48 AD
Instal J	Instal J	Instal J	Instal J	Instal J	Instal J
Instal KU170 M PW Instal KU170 AD	Instal KU170 M PW Instal KU170 AD	Instal KU170 M PW Instal KU170 AD		Instal KU210 M PW Instal KU210 AD	
Instal P170 M Instal P170 AD	Instal P170 M Instal P170 AD	Instal P170 M Instal P170 AD	Instal P170 90 M Instal P170 90 AD	Instal P210 M Instal P210 AD	
Instal LVK 170	Instal LVK 170	Instal LVK 170		Instal LVK 210	
Instal LK 170	Instal LK 170	Instal LK 170		Instal LK 210	
Instal SK 20 Instal SK 40 Instal SK 75 Instal SK 100 Instal SK 125	Instal SK 20 Instal SK 40 Instal SK 75 Instal SK 100 Instal SK 125	Instal SK 20 Instal SK 40 Instal SK 75 Instal SK 100 Instal SK 125	Instal SK 20 Instal SK 40 Instal SK 75 Instal SK 100 Instal SK 125	Instal SK 20 Instal SK 40 Instal SK 75 Instal SK 100 Instal SK 125	
Instal PS M PW Instal PS AD	Instal PS M PW Instal PS AD	Instal PS M PW Instal PS AD	Instal PS M PW Instal PS AD	Instal PS M PW Instal PS AD	
Instal PSJ	Instal PSJ	Instal PSJ	Instal PSJ	Instal PSJ	
Instal UT 170 M Instal UT 170 AD	Instal UT 170 M Instal UT 170 AD	Instal UT 170 M Instal UT 170 AD		Instal UT 210 M Instal UT 210 AD	
Instal SL2 Used with wall bracket SK.	Instal SL2 Used with wall bracket SK.	Instal SL2 Used with wall bracket SK.	Instal SL2 Used with wall bracket SK.	Instal SL2 Used with wall bracket SK.	
Instal VS M PW Instal VS2 M PW	Instal VS M PW Instal VS2 M PW		Instal VS M PW Instal VS2 M PW	Instal VS M PW Instal VS2 M PW	Instal VS M PW Instal VS2 M PW
Instal ML	Instal ML	Instal ML	Instal ML	Instal ML	
Instal LIS-80	Instal LIS-48 Instal LIS-80	Instal LIS-48 Instal LIS-80	Instal LIS-48 Instal LIS-80	Instal LIS-48 Instal LIS-80	Instal LIS-48 Instal LIS-80
Basic MB	Basic MB	Basic MB	Basic MB	Basic MB	Basic MB
Basic EC	Basic EC	Basic EC	Basic EC	Basic EC	Basic EC

Instal<sup>®</sup> 100 system

NO.	TYPE	ITEM	SURFACE TREATMENT	PAGE
1	Cable trunking base	INSTAL 100	(M) (AD)	18
2	Cover	INSTAL K80	(M) (AD)	22
3	Joint	INSTAL J	(PG)	22
4	End plate	INSTAL P 100	White, grey	23
5	Corner piece	INSTAL KU 100	(M) (AD)	24
6	Cable shelf	INSTAL VS	(AL)	25
7	Wall collar	INSTAL LVK 100	White	25
8	Trunking collar	INSTAL LK 100	White	25
9	Sound isolation piece	INSTAL LIS-80	Grey	28
10	Joint cover	INSTAL UT 100	(M) (AD)	26
11	Mounting box	BASIC MB	White	29
12	End caps with strain relieves	BASIC EC	White	29
13	Cable tie clamp	INSTAL CH	White	28
14	Earthing coupler	INSTAL ML	(PG)	29

- (M) White paint coat. Atmospheric-corrosivity category C1-C2
- (B) Black paint coat. Atmospheric-corrosivity category C1-C2
- (AD) Anodized aluminum. Atmospheric-corrosivity category C1-C2
- (AL) Aluminum. Atmospheric-corrosivity category C1-C2
- (EG) Electrogalvanised steel. Atmospheric-corrosivity category C1-C2
- (PG) Pre-galvanised steel. Atmospheric-corrosivity category C1-C2
- (HDG) Hot-dip galvanised after manufacturing. Atmospheric-corrosivity category C1-C4
- (XPG) XPG coated. Atmospheric-corrosivity category C1-C4
- (HST) Acid-proof steel. Atmospheric-corrosivity category C1-CX

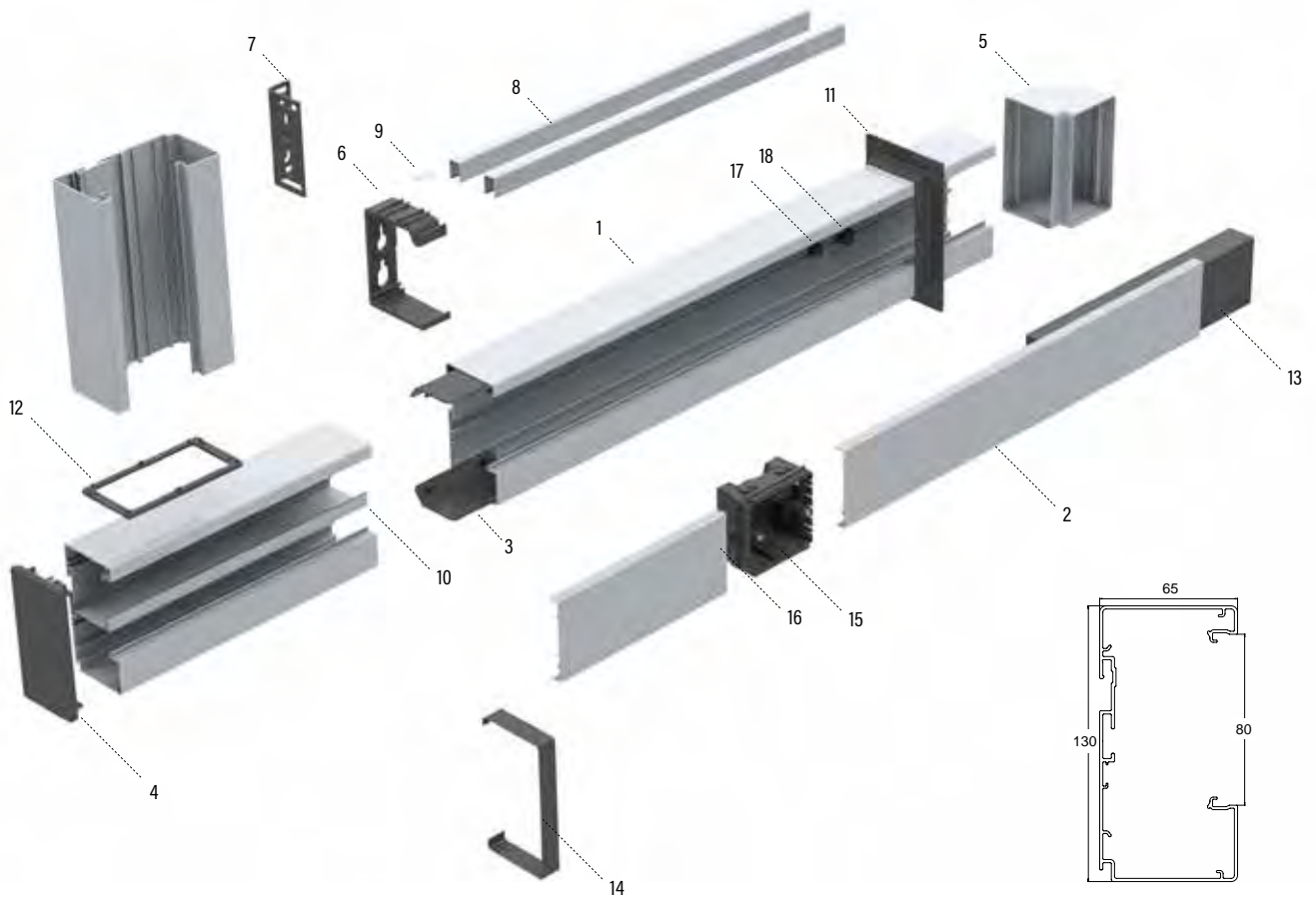
# Instal® 108-45 system



NO.	TYPE	ITEM	SURFACE TREATMENT	PAGE
1	Cable trunking base	INSTAL 108-45	(M) (AD)	18
2	Cover	INSTAL K45	(M) (AD)	22
3	Joint	INSTAL J	(PG)	22
4	End plate	INSTAL P 108	White, grey	22
5	Corner piece	INSTAL KU 108	(M) (AD)	24
6	Wall collar	INSTAL LVK 108	White	25
7	Trunking collar	INSTAL LK 108	White	25
8	Sound isolation piece	INSTAL LIS-48	Grey	28
9	Joint cover	INSTAL UT 108	White, grey	26
	Cable tie clamp	INSTAL CH	White	28
	Earthing coupler	INSTAL ML	(PG)	29

- (M) White paint coat. Atmospheric-corrosivity category C1-C2
- (B) Black paint coat. Atmospheric-corrosivity category C1-C2
- (AD) Anodized aluminum. Atmospheric-corrosivity category C1-C2
- (AL) Aluminum. Atmospheric-corrosivity category C1-C2
- (EG) Electro-galvanized steel. Atmospheric-corrosivity category C1-C2
- (PG) Pre-galvanized steel. Atmospheric-corrosivity category C1-C2
- (HDG) Hot-dip galvanized after manufacturing. Atmospheric-corrosivity category C1-C4
- (XPG) XPG coated. Atmospheric-corrosivity category C1-C4
- (HST) Acid-proof steel. Atmospheric-corrosivity category C1-CX

# Instal<sup>®</sup> 130 system

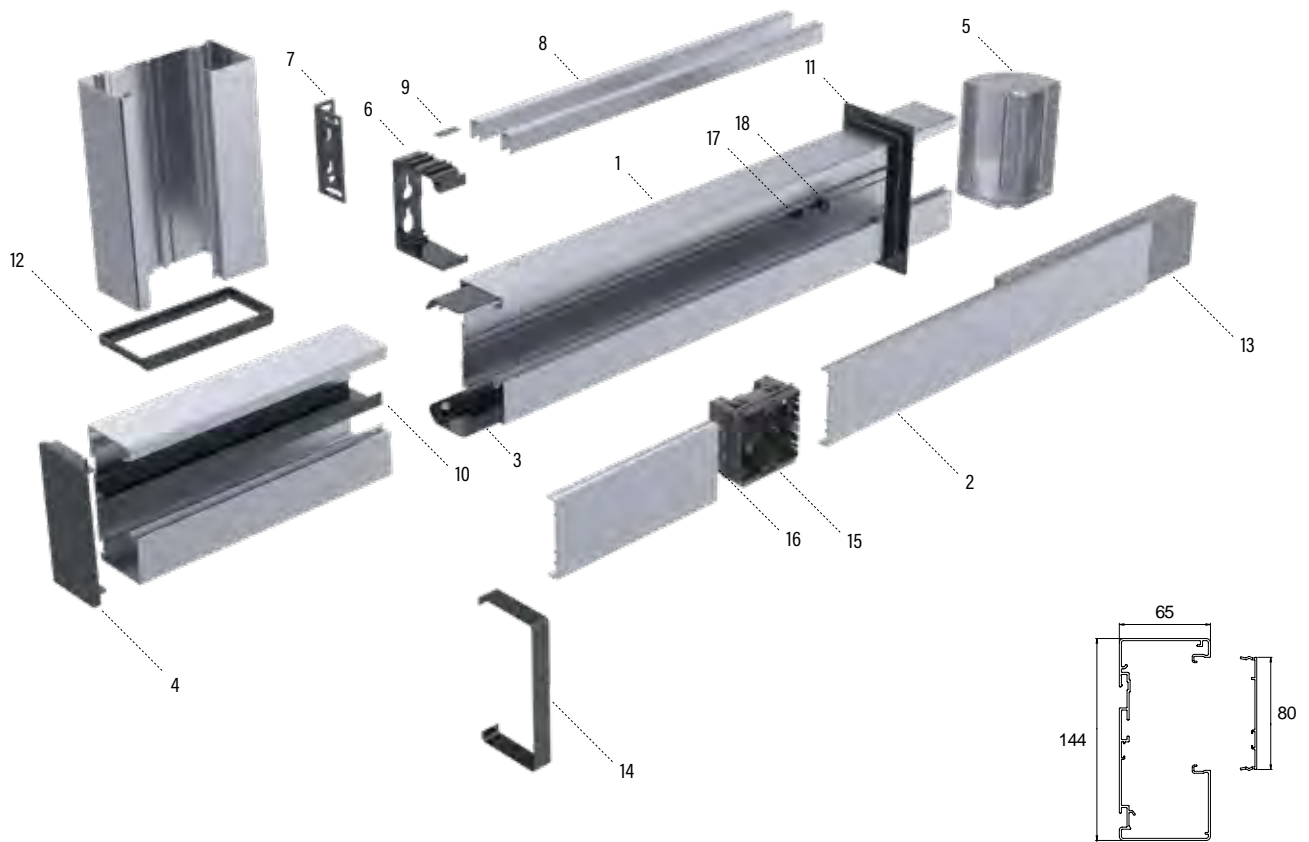


NO.	TYPE	ITEM	SURFACE TREATMENT	PAGE
1	Cable trunking base	INSTAL 130	(M) (AD)	18
2	Cover	INSTAL K80	(M) (AD)	22
3	Joint	INSTAL J	(PG)	22
4	End plate	INSTAL P 130	White, grey	23
5	Corner piece	INSTAL KU 130	(M) (AD)	24
6	Wall bracket	INSTAL SK	(AL)	26
7	Adjusting piece	INSTAL SL2	(PG)	27
8	Decorative rib	INSTAL PS	(AD)	27
9	Joint	INSTAL PSJ	(PG)	27
10	Cable shelf	INSTAL VS	(AL)	25
11	Wall collar	INSTAL LVK 130	White	25
12	Trunking collar	INSTAL LK 130	White	25
13	Sound isolation piece	INSTAL LIS-80	Grey	28
14	Joint cover	INSTAL UT 130	(AD)	26
15	Mounting box	BASIC MB	White	29
16	End caps with strain relieves	BASIC EC	White	29
17	Cable tie clamp	INSTAL CH	White	28
18	Earthing coupler	INSTAL ML	(PG)	29

- (M) White paint coat. Atmospheric-corrosivity category C1-C2
- (B) Black paint coat. Atmospheric-corrosivity category C1-C2
- (AD) Anodized aluminum. Atmospheric-corrosivity category C1-C2
- (AL) Aluminum. Atmospheric-corrosivity category C1-C2
- (E4) Electrogalvanized steel. Atmospheric-corrosivity category C1-C2
- (PG) Pre-galvanized steel. Atmospheric-corrosivity category C1-C2
- (HDG) Hot-dip galvanized after manufacturing. Atmospheric-corrosivity category C1-C4
- (XPG) XPG coated. Atmospheric-corrosivity category C1-C4
- (HST) Acid-proof steel. Atmospheric-corrosivity category C1-CX



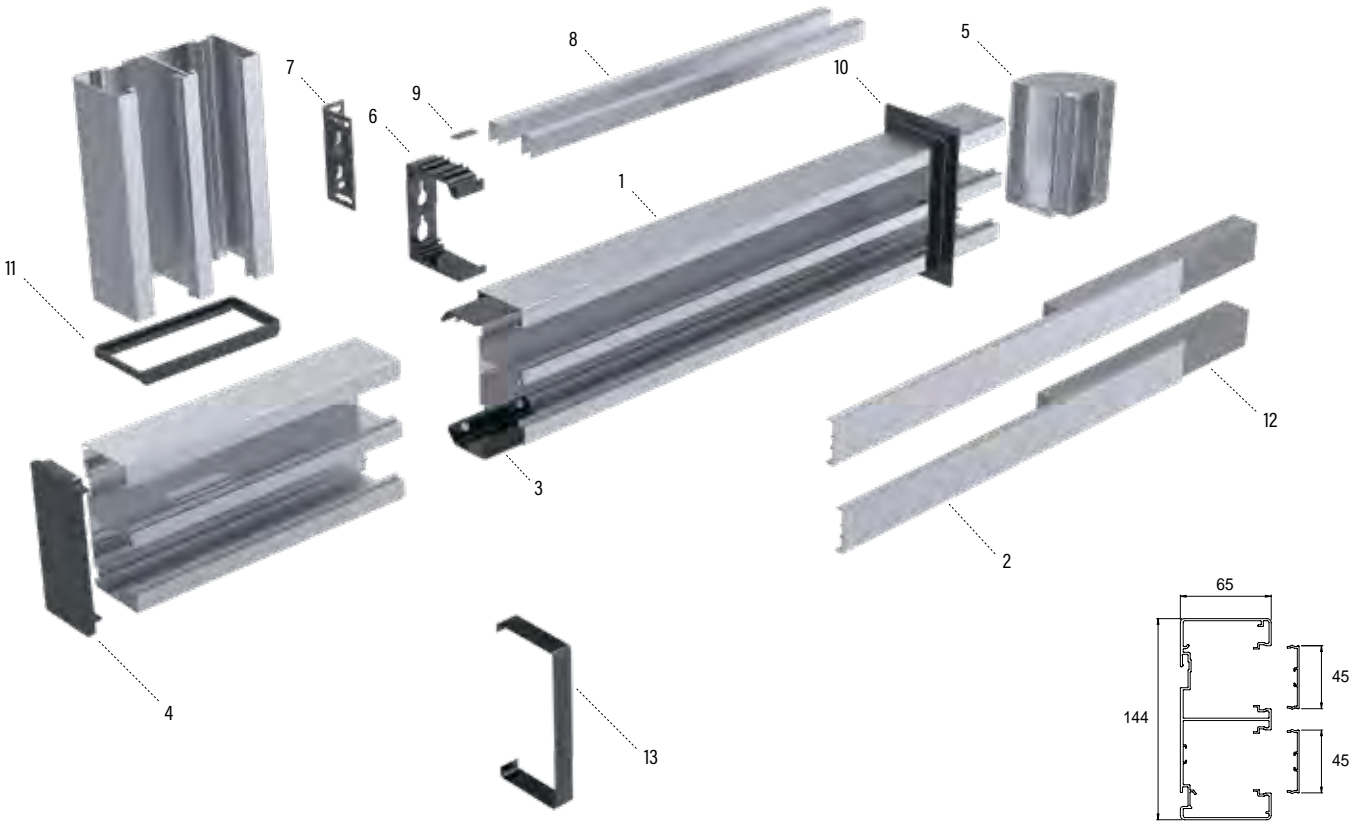
# Instal<sup>®</sup> 144 system



NO.	TYPE	ITEM	SURFACE TREATMENT	PAGE
1	Cable trunking base	INSTAL 144	(M) (AD)	19
2	Cover	INSTAL K80	(M) (AD)	22
3	Joint	INSTAL J	(PG)	22
4	End plate	INSTAL P 144	White, grey	23
5	Corner piece	INSTAL KU 144	(M) (AD)	24
6	Wall bracket	INSTAL SK	(AL)	26
7	Adjusting piece	INSTAL SL2	(PG)	27
8	Decorative rib	INSTAL PS	(AD)	27
9	Joint	INSTAL PSJ	(PG)	27
10	Cable shelf	INSTAL VS	(AL)	25
11	Wall collar	INSTAL LVK 144	White	25
12	Trunking collar	INSTAL LK 144	White	25
13	Sound isolation piece	INSTAL LIS-80	Grey	28
14	Joint cover	INSTAL UT 144	(AD)	26
15	Mounting box	BASIC MB	White	29
16	End caps with strain relieves	BASIC EC	White	29
17	Cable tie clamp	INSTAL CH	White	28
18	Earthing coupler	INSTAL ML	(PG)	29

- (M) White paint coat. Atmospheric-corrosivity category C1-C2
- (B) Black paint coat. Atmospheric-corrosivity category C1-C2
- (AD) Anodized aluminum. Atmospheric-corrosivity category C1-C2
- (AL) Aluminum. Atmospheric-corrosivity category C1-C2
- (EG) Electro-galvanized steel. Atmospheric-corrosivity category C1-C2
- (PG) Pre-galvanized steel. Atmospheric-corrosivity category C1-C2
- (HDB) Hot-dip galvanized after manufacturing. Atmospheric-corrosivity category C1-C4
- (XPG) XPG coated. Atmospheric-corrosivity category C1-C4
- (HST) Acid-proof steel. Atmospheric-corrosivity category C1-CX

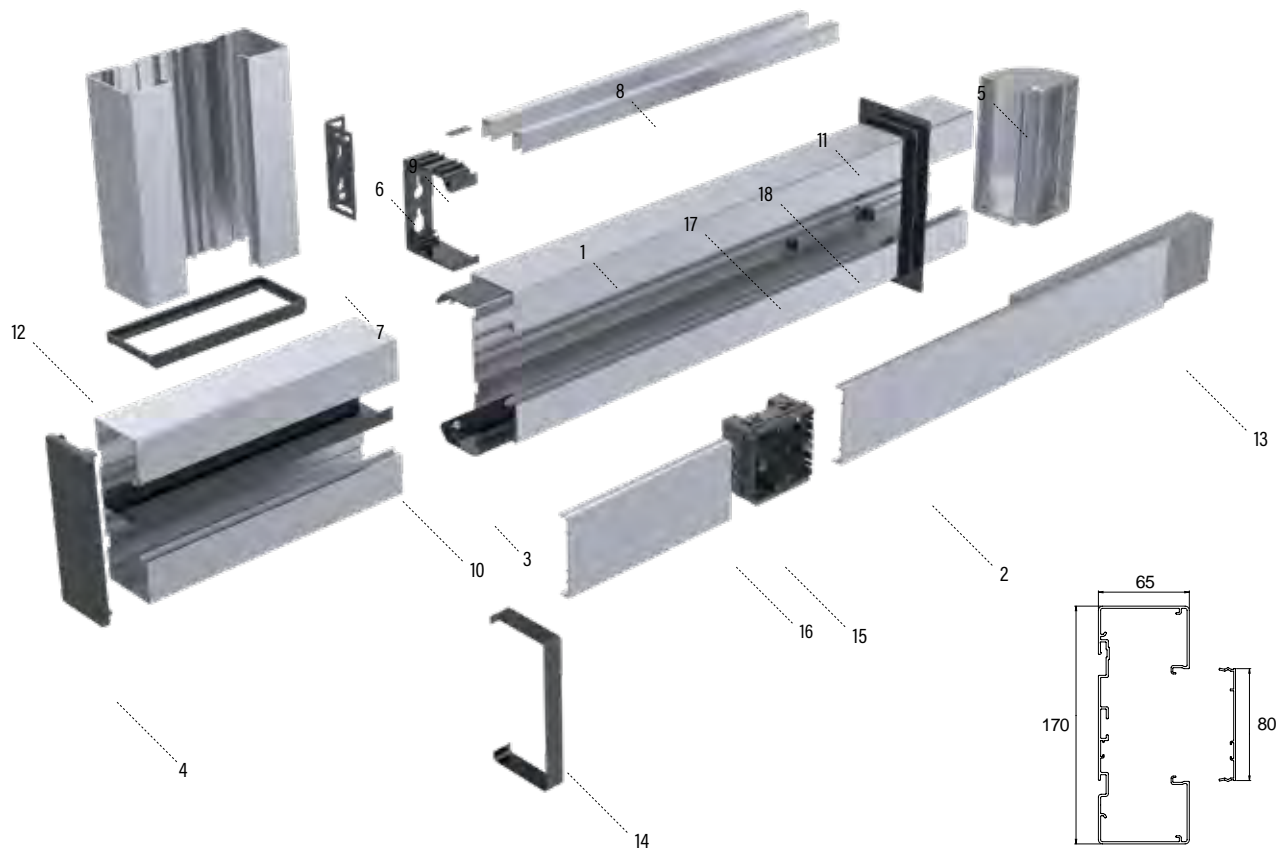
# Instal® 144-2-45 system



NO.	TYPE	ITEM	SURFACE TREATMENT	PAGE
1	Cable trunking base	INSTAL 144-2-45	(M) (AD)	19
2	Cover	INSTAL K45	(M) (AD)	22
3	Joint	INSTAL J	(PG)	22
4	End plate	INSTAL P 144	White, grey	23
5	Corner piece	INSTAL KU 144	(M) (AD)	24
6	Wall bracket	INSTAL SK	(AL)	26
7	Adjusting piece	INSTAL SL2	(PG)	27
8	Decorative rib	INSTAL PS	(M) (AD)	27
9	Joint	INSTAL PSJ	(PG)	27
10	Wall collar	INSTAL LVK 144	White	25
11	Trunking collar	INSTAL LK 144	White	25
12	Sound isolation piece	INSTAL LIS-48	Grey	28
13	Joint cover	INSTAL UT 144	(M) (AD)	26
	Cable tie clamp	INSTAL CH	White	28
	Earthing coupler	INSTAL ML	(PG)	29

- (M) White paint coat. Atmospheric-corrosivity category C1-C2
- (B) Black paint coat. Atmospheric-corrosivity category C1-C2
- (AD) Anodized aluminum. Atmospheric-corrosivity category C1-C2
- (AL) Aluminum. Atmospheric-corrosivity category C1-C2
- (EG) Electrogalvanised steel. Atmospheric-corrosivity category C1-C2
- (PG) Pre-galvanised steel. Atmospheric-corrosivity category C1-C2
- (HDG) Hot-dip galvanised after manufacturing. Atmospheric-corrosivity category C1-C4
- (XPG) XPG coated. Atmospheric-corrosivity category C1-C4
- (HST) Acid-proof steel. Atmospheric-corrosivity category C1-CX

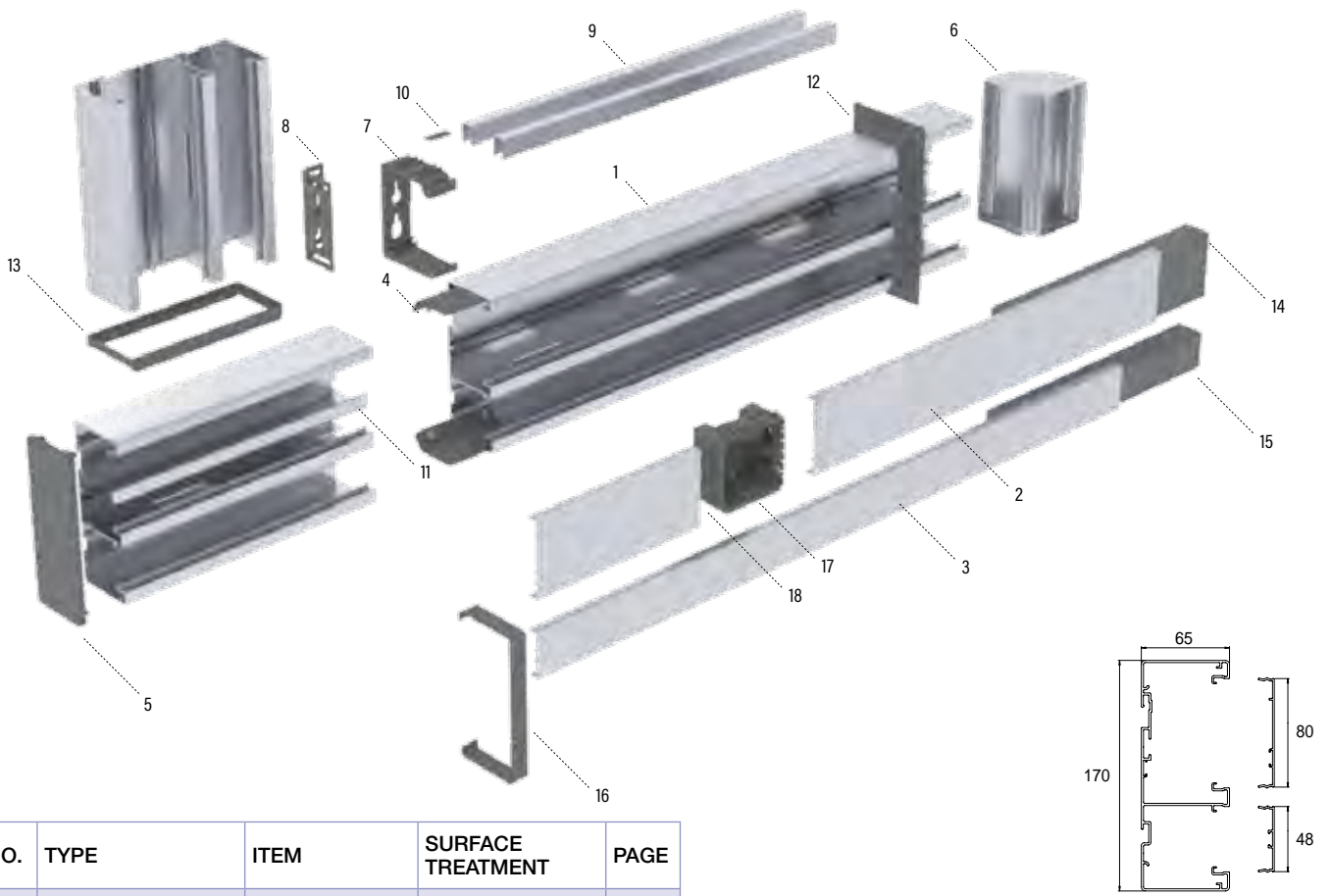
# Instal<sup>®</sup> 170-1 system



NO.	TYPE	ITEM	SURFACE TREATMENT	PAGE
1	Cable trunking base	INSTAL 170-1	(M) (AD)	19
2	Cover	INSTAL K80	(M) (AD)	22
3	Joint	INSTAL J	(PG)	22
4	End plate	INSTAL P 170	White, grey	23
5	Corner piece	INSTAL KU 170	(M) (AD)	24
6	Wall bracket	INSTAL SK	(AL)	26
7	Adjusting piece	INSTAL SL2	(PG)	27
8	Decorative rib	INSTAL PS	(M) (AD)	27
9	Joint	INSTAL PSJ	(PG)	27
10	Cable shelf	INSTAL VS	(AL)	25
11	Wall collar	INSTAL LVK 170	White	25
12	Trunking collar	INSTAL LK 170	White	25
13	Sound isolation piece	INSTAL LIS-80	Grey	28
14	Joint cover	INSTAL UT 170	(M) (AD)	26
15	Mounting box	BASIC MB	White	29
16	End caps with strain relieves	BASIC EC	White	29
17	Cable tie clamp	INSTAL CH	White	28
18	Earthing coupler	INSTAL ML	(PG)	29

- (M) White paint coat. Atmospheric-corrosivity category C1-C2
- (B) Black paint coat. Atmospheric-corrosivity category C1-C2
- (AD) Anodized aluminum. Atmospheric-corrosivity category C1-C2
- (AL) Aluminum. Atmospheric-corrosivity category C1-C2
- (EG) Electrogalvanised steel. Atmospheric-corrosivity category C1-C2
- (PG) Pre-galvanised steel. Atmospheric-corrosivity category C1-C2
- (HDG) Hot-dip galvanised after manufacturing. Atmospheric-corrosivity category C1-C4
- (XPG) XPG coated. Atmospheric-corrosivity category C1-C4
- (HST) Acid-proof steel. Atmospheric-corrosivity category C1-CX

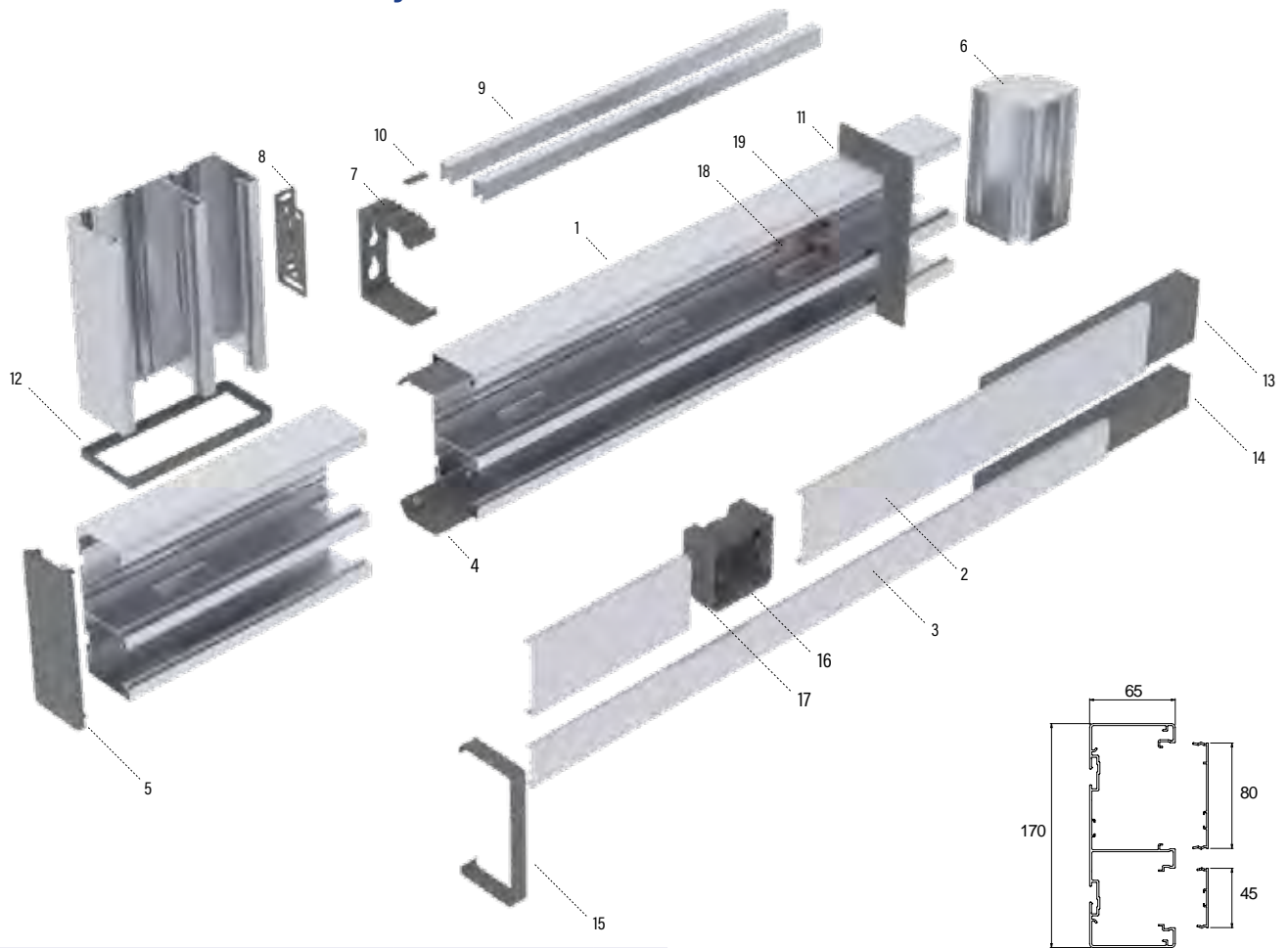
# Instal<sup>®</sup> 170-2 system



NO.	TYPE	ITEM	SURFACE TREATMENT	PAGE
1	Cable trunking base	INSTAL 170-2	(M) (AD)	20
2	Cover	INSTAL K80	(M) (AD)	22
3	Cover	INSTAL K48	(M) (AD)	22
4	Joint	INSTAL J	(PG)	22
5	End plate	INSTAL P 170	Grey, white	23
6	Corner piece	INSTAL KU 170	(M) (AD)	24
7	Wall bracket	INSTAL SK	(AL)	26
8	Adjusting piece	INSTAL SL2	(PG)	27
9	Decorative rib	INSTAL PS	(M) (AD)	27
10	Joint	INSTAL PSJ	(PG)	27
11	Cable shelf	INSTAL VS	(AL)	25
12	Wall collar	INSTAL LVK 170	White	25
13	Trunking collar	INSTAL LK 170	White	25
14	Sound isolation piece	INSTAL LIS-80	Grey	28
15	Sound isolation piece	INSTAL LIS-48	Grey	28
16	Joint cover	INSTAL UT 170	(M) (AD)	26
17	Mounting box	BASIC MB	White	29
18	End caps with strain reliefs	BASIC EC	White	29
	Cable tie clamp	INSTAL CH	White	28
	Earthing coupler	INSTAL ML	(PG)	29

- (M) White paint coat. Atmospheric-corrosivity category C1-C2
- (B) Black paint coat. Atmospheric-corrosivity category C1-C2
- (AD) Anodized aluminum. Atmospheric-corrosivity category C1-C2
- (AL) Aluminum. Atmospheric-corrosivity category C1-C2
- (EG) Electro-galvanized steel. Atmospheric-corrosivity category C1-C2
- (PG) Pre-galvanized steel. Atmospheric-corrosivity category C1-C2
- (HDG) Hot-dip galvanized after manufacturing. Atmospheric-corrosivity category C1-C4
- (XPG) XPG coated. Atmospheric-corrosivity category C1-C4
- (HST) Acid-proof steel. Atmospheric-corrosivity category C1-CX

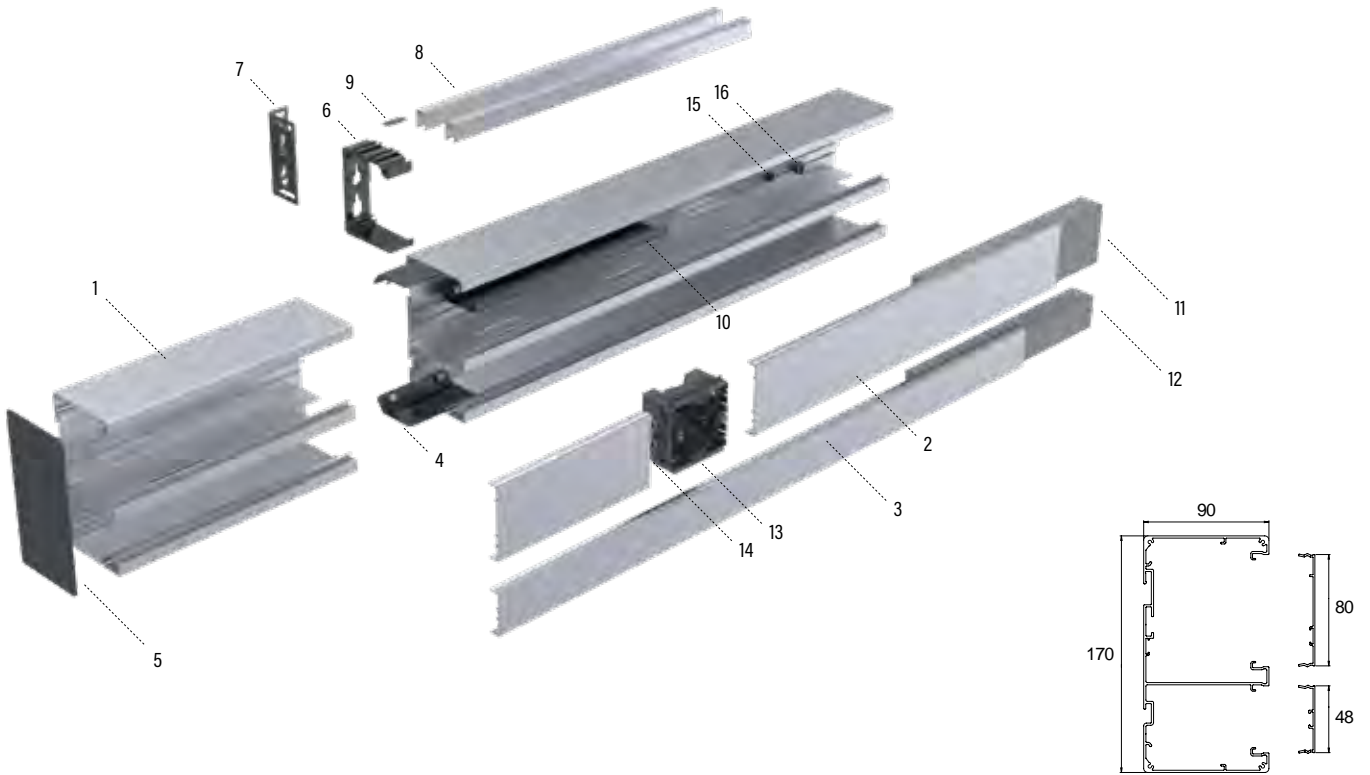
# Instal® 170-2-45 system



NO.	TYPE	ITEM	SURFACE TREATMENT	PAGE
1	Cable trunking base	INSTAL 170-2-45	(M) (AD)	20
2	Cover	INSTAL K80	(M) (AD)	22
3	Cover	INSTAL K45	(M) (AD)	22
4	Joint	INSTAL J	(PG)	22
5	End plate	INSTAL P 170	(M) (AD)	23
6	Corner piece	INSTAL KU 170	(M) (AD)	24
7	Wall bracket	INSTAL SK	(AL)	26
8	Adjusting piece	INSTAL SL2	(PG)	27
9	Decorative rib	INSTAL PS	(M) (AD)	27
10	Joint	INSTAL PSJ	(PG)	27
11	Wall collar	INSTAL LVK 170	White	25
12	Trunking collar	INSTAL LK 170	White	25
13	Sound isolation piece	INSTAL LIS-80	Grey	28
14	Sound isolation piece	INSTAL LIS-48	Grey	28
15	Joint cover	INSTAL UT 170 AD	(M) (AD)	26
16	Mounting box	BASIC MB	White	29
17	End caps with strain relieves	BASIC EC	White	29
18	Cable tie clamp	INSTAL CH	White	28
19	Earthing coupler	INSTAL ML	(PG)	29

- (M) White paint coat. Atmospheric-corrosivity category C1-C2
- (B) Black paint coat. Atmospheric-corrosivity category C1-C2
- (AD) Anodized aluminum. Atmospheric-corrosivity category C1-C2
- (AL) Aluminum. Atmospheric-corrosivity category C1-C2
- (EG) Electro-galvanized steel. Atmospheric-corrosivity category C1-C2
- (PG) Pre-galvanized steel. Atmospheric-corrosivity category C1-C2
- (HDG) Hot-dip galvanized after manufacturing. Atmospheric-corrosivity category C1-C4
- (XPG) XPG coated. Atmospheric-corrosivity category C1-C4
- (HST) Acid-proof steel. Atmospheric-corrosivity category C1-CX

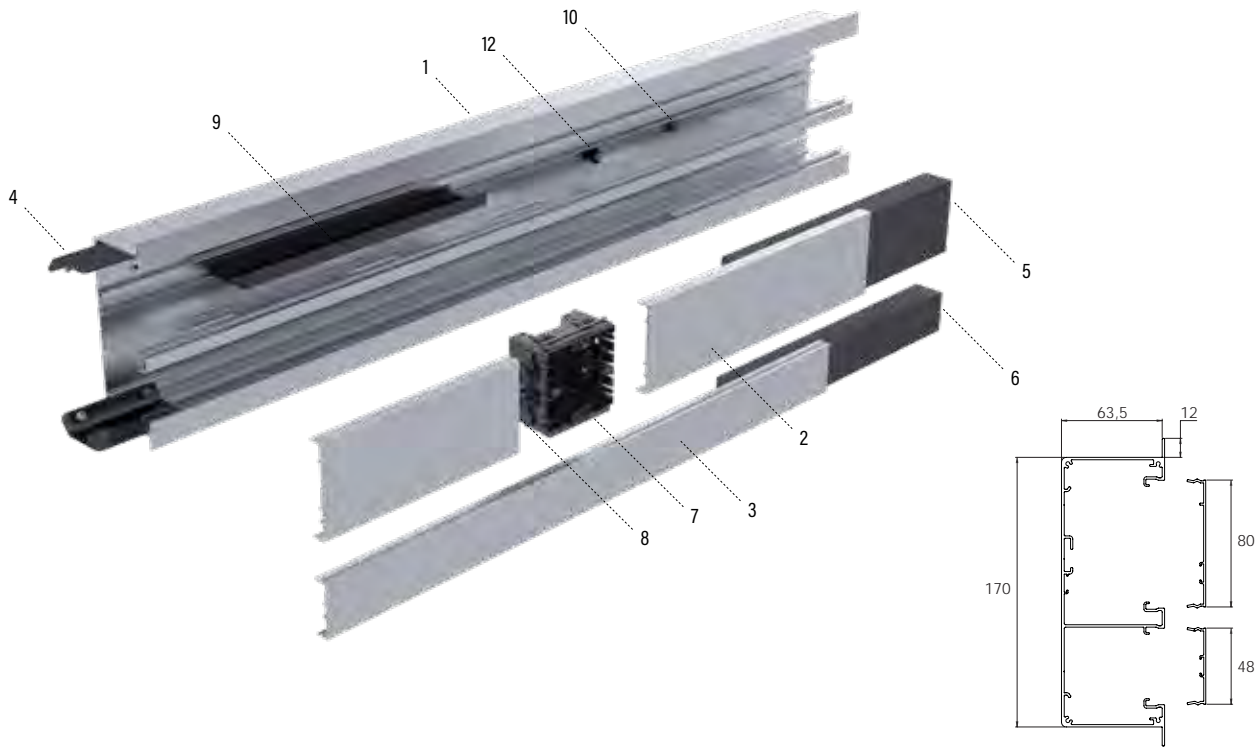
# Instal<sup>®</sup> 170-2 90 system



NO.	TYPE	ITEM	SURFACE TREATMENT	PAGE
1	Cable trunking base	INSTAL 170-2 90	(M) (AD)	20
2	Cover	INSTAL K80	(M) (AD)	22
3	Cover	INSTAL K48	(M) (AD)	22
4	Joint	INSTAL J	(PG)	22
5	End plate	INSTAL P 170 90	(M) (AD)	23
6	Wall bracket	INSTAL SK	(AL)	26
7	Adjusting piece	INSTAL SL2	(PG)	27
8	Decorative rib	INSTAL PS	(M) (AD)	27
9	Joint	INSTAL PSJ	(PG)	27
10	Cable shelf	INSTAL VS	(AL)	25
11	Sound isolation piece	INSTAL LIS-80	Grey	28
12	Sound isolation piece	INSTAL LIS-48	Grey	28
13	Mounting box	BASIC MB	White	29
14	End caps with strain relieves	BASIC EC	White	29
	Cable tie clamp	INSTAL CH	White	28
	Earthing coupler	INSTAL ML	(PG)	29

- (M) White paint coat. Atmospheric-corrosivity category C1-C2
- (B) Black paint coat. Atmospheric-corrosivity category C1-C2
- (AD) Anodized aluminum. Atmospheric-corrosivity category C1-C2
- (AL) Aluminum. Atmospheric-corrosivity category C1-C2
- (EG) Electrogalvanised steel. Atmospheric-corrosivity category C1-C2
- (PG) Pre-galvanised steel. Atmospheric-corrosivity category C1-C2
- (HDG) Hot-dip galvanised after manufacturing. Atmospheric-corrosivity category C1-C4
- (XPG) XPG coated. Atmospheric-corrosivity category C1-C4
- (HST) Acid-proof steel. Atmospheric-corrosivity category C1-CX

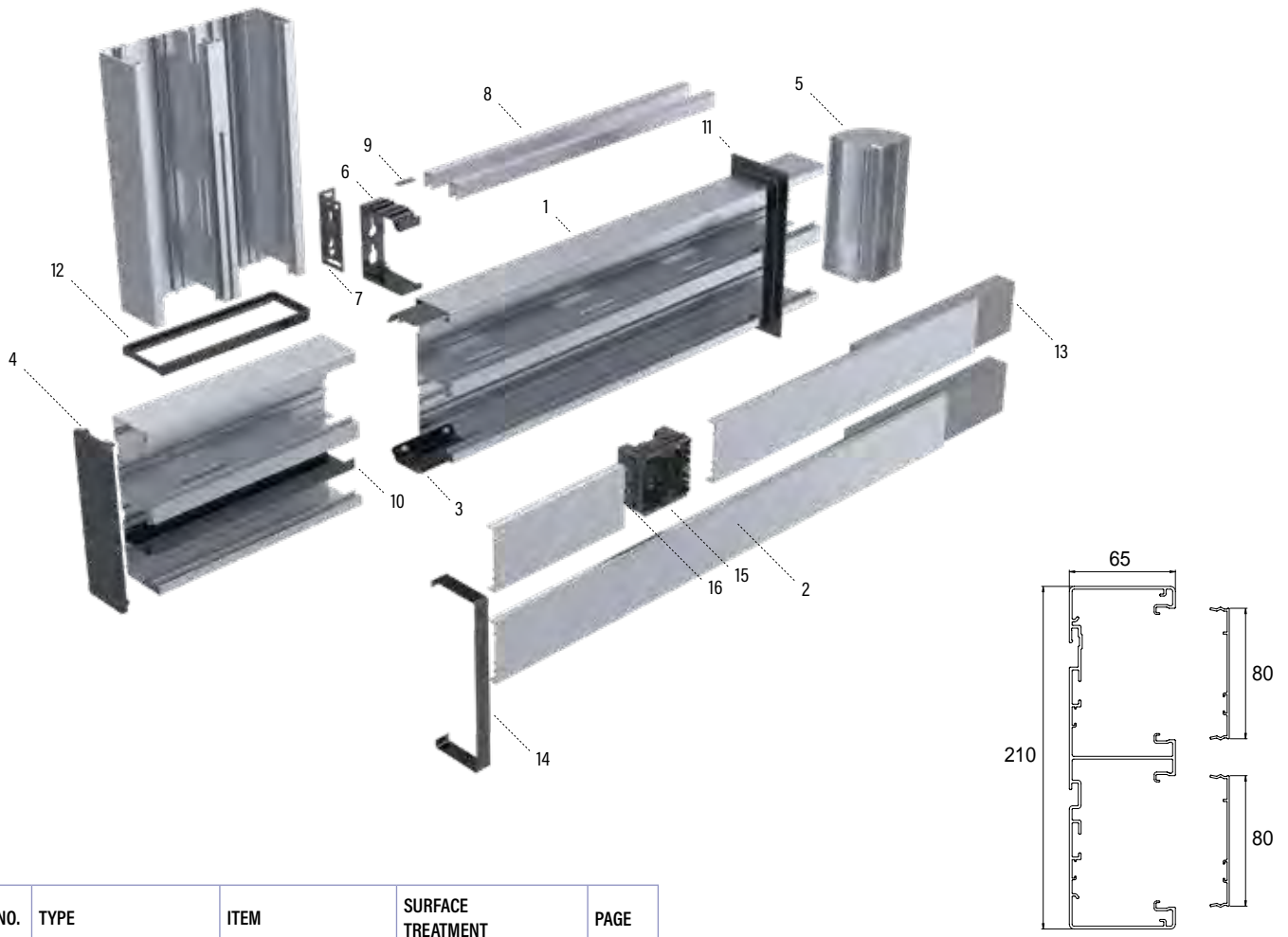
# Instal® 170-2F system



NO.	TYPE	ITEM	SURFACE TREATMENT	PAGE
1	Cable trunking base	INSTAL 170-2F	(M) (AD)	21
2	Cover	INSTAL K80	(M) (AD)	22
3	Cover	INSTAL K48	(M) (AD)	22
4	Joint	INSTAL J	(PG)	22
5	Sound isolation piece	INSTAL LIS-80	Grey	28
6	Sound isolation piece	INSTAL LIS-48	Grey	28
7	Mounting box	BASIC MB	White	29
8	End caps with strain relieves	BASIC EC	White	29
9	Cable shelf	INSTAL VS	(AL)	25
10	Cable tie clamp	INSTAL CH	White	28
11	Earthing coupler	INSTAL ML	(PG)	29

- (M) White paint coat. Atmospheric-corrosivity category C1-C2
- (B) Black paint coat. Atmospheric-corrosivity category C1-C2
- (AD) Anodized aluminum. Atmospheric-corrosivity category C1-C2
- (AL) Aluminum. Atmospheric-corrosivity category C1-C2
- (EG) Electro-galvanized steel. Atmospheric-corrosivity category C1-C2
- (PG) Pre-galvanized steel. Atmospheric-corrosivity category C1-C2
- (HDG) Hot-dip galvanized after manufacturing. Atmospheric-corrosivity category C1-C4
- (XPG) XPG coated. Atmospheric-corrosivity category C1-C4
- (HST) Acid-proof steel. Atmospheric-corrosivity category C1-CX

# Instal® 210-2 system

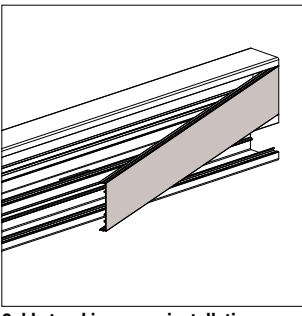
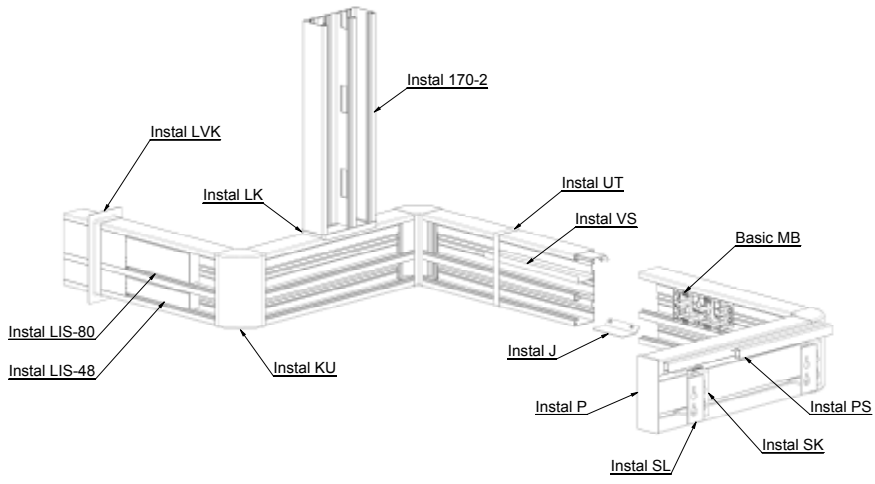


NO.	TYPE	ITEM	SURFACE TREATMENT	PAGE
1	Cable trunking base	INSTAL 210-2	(M) (AD)	21
2	Cover	INSTAL K80	(M) (AD)	22
3	Joint	INSTAL J	(PG)	22
4	End plate	INSTAL P 210	White, grey	23
5	Corner piece	INSTAL KU 210	(M) (AD)	24
6	Wall bracket	INSTAL SK	(AL)	26
7	Adjusting piece	INSTAL SL2	(PG)	27
8	Decorative rib	INSTAL PS	(M) (AD)	27
9	Joint	INSTAL PSJ	(PG)	27
10	Cable shelf	INSTAL VS	(AL)	25
11	Wall collar	INSTAL LVK 210	White	25
12	Trunking collar	INSTAL LK 210	White	25
13	Sound isolation piece	INSTAL LIS-80	Grey	28
14	Joint Cover	INSTAL UT 210	(M) (AD)	26
15	Mounting box	BASIC MB	White	29
16	End caps with strain relieves	BASIC EC	White	29
	Cable tie clamp	INSTAL CH	White	28
	Earthing coupler	INSTAL ML	(PG)	29

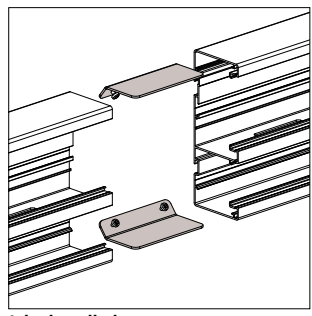
- (M) White paint coat. Atmospheric-corrosivity category C1-C2
- (B) Black paint coat. Atmospheric-corrosivity category C1-C2
- (AD) Anodized aluminum. Atmospheric-corrosivity category C1-C2
- (AL) Aluminum. Atmospheric-corrosivity category C1-C2
- (EG) Electrogalvanised steel. Atmospheric-corrosivity category C1-C2
- (PG) Pre-galvanised steel. Atmospheric-corrosivity category C1-C2
- (HDG) Hot-dip galvanised after manufacturing. Atmospheric-corrosivity category C1-C4
- (XPG) XPG coated. Atmospheric-corrosivity category C1-C4
- (HST) Acid-proof steel. Atmospheric-corrosivity category C1-CX



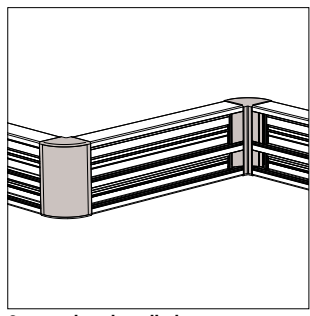
# Cable trunking installation instructions



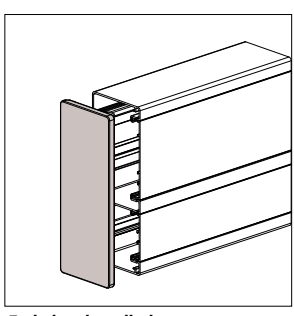
**Cable trunking cover installation**  
Cable trunking covers lock in place when pressed on the fixture opening.



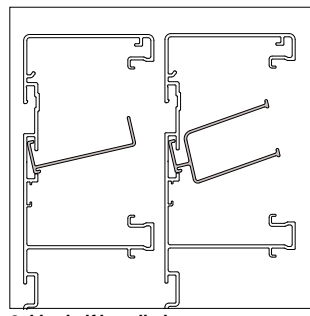
**Joint installation**  
Joints are installed to grooves inside cable trunking base and locked by included screws. Two joints are required to form a joint.



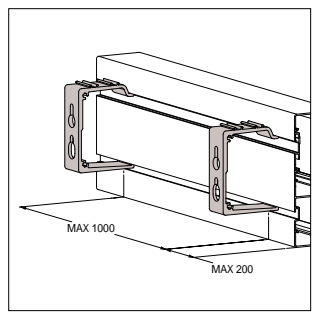
**Corner piece installation**  
Cable trunking base is pushed inside the corner piece, after which it can be extended with another cable trunking base from the other side of the corner piece.



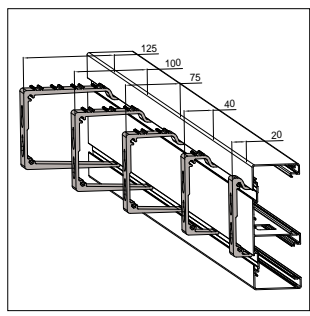
**End plate installation**  
End plates are installed by pressing them on the cable trunking.



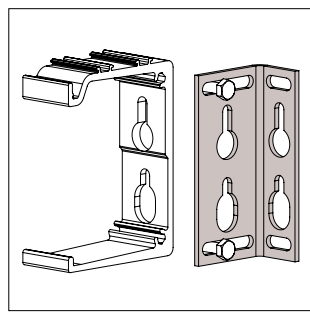
**Cable shelf installation**  
Cable shelves are installed by locking them to the cable trunking base's groove as shown in the image.



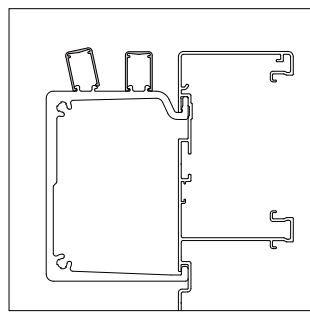
**Wall bracket installation**  
The cable trunking base is suspended on the wall bracket's hooks from the grooves in cable trunking base.



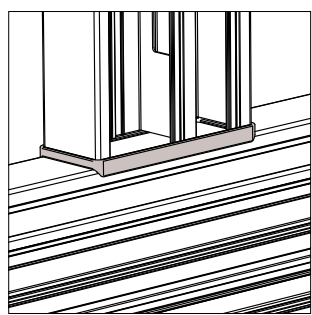
**Wall bracket sizes**  
There are five different sizes of the wall bracket. Cable trunking can be installed 20-125 mm from the wall depending on the selected bracket size.



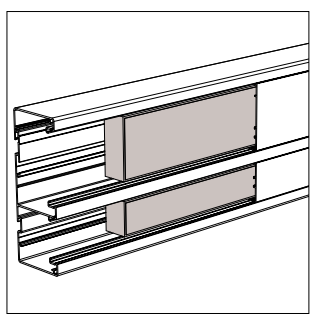
**Adjusting piece installation**  
Adjusting piece is installed to the wall bracket as shown in the image. Adjusting range 0-24 mm.



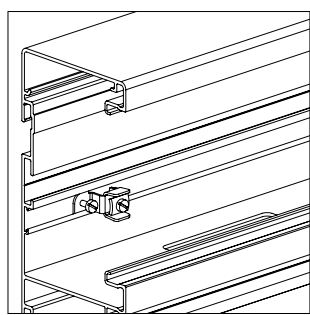
**Decorative rib installation**  
Decorative ribs are installed to the wall bracket as shown in the image. Decorative ribs are used to close the gap between the cable trunking and wall without blocking air flow.



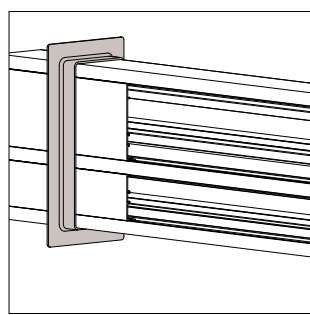
**Trunking collar installation**  
Trunking collars are installed in the joints of a horizontal and a vertical cable trunking.



**Sound isolation piece installation**  
Sound isolation pieces are installed inside the cable trunking under the cover.



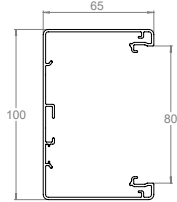
**Earthing coupler installation**  
The earthing coupler is installed to the groove inside the cable trunking base and fastened with the included screw.



**Wall collar**  
Wall collars are used when the cable trunking needs to pass through a wall, for example.

## Cable trunking Instal® 100 M AD

Universal aluminium cable trunkings for 80 mm sockets and fixtures of various manufacturers. Cross-section area for cables 5700 mm<sup>2</sup>.

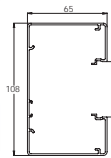


	PRODUCT	WGT. kg / pc	PACKAGE
	INSTAL 100 L=3000 M PW	3.58	1 PCE / 3 MTR
<b>M</b>	White RAL 9010 polyester paint coating : C1-C2		

	PRODUCT	WGT. kg / pc	PACKAGE
	INSTAL 100 L=3000 AD	3.58	1 PCE / 3 MTR
<b>AD</b>	Anodized aluminium : C1-C2		

## Cable trunking base Instal® 108-45 M AD

Universal aluminium cable trunkings for 80 mm sockets and fixtures of various manufacturers. Cross-section area for cables 6300 mm<sup>2</sup>.

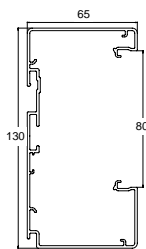


	PRODUCT	WGT. kg / pc	PACKAGE
	INSTAL 108-45 L=3000 M PW	4.86	1 PCE / 3 MTR
<b>M</b>	White RAL 9010 polyester paint coating : C1-C2		

	PRODUCT	WGT. kg / pc	PACKAGE
	INSTAL 108-45 L=3000 AD	4.72	1 PCE / 3 MTR
<b>AD</b>	Anodized aluminium : C1-C2		

## Cable trunking base Instal® 130 M AD

Universal aluminium cable trunkings for 80 mm sockets and fixtures of various manufacturers. Cross-section area for cables 7440 mm<sup>2</sup>.



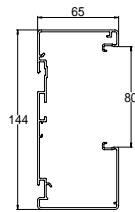
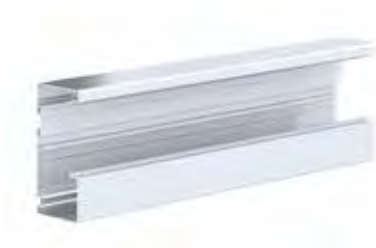
M AD

	PRODUCT	WGT. kg / pc	PACKAGE
	INSTAL 130 L=3000 M PW	4.755	1 PCE / 3 MTR
<b>M</b>	White RAL 9010 polyester paint coating : C1-C2		

	PRODUCT	WGT. kg / pc	PACKAGE
	INSTAL 130 L=3000 AD	4.755	1 PCE / 3 MTR
<b>AD</b>	Anodized aluminium : C1-C2		

## Cable trunking base Instal® 144 M AD

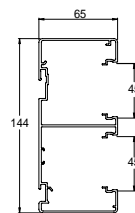
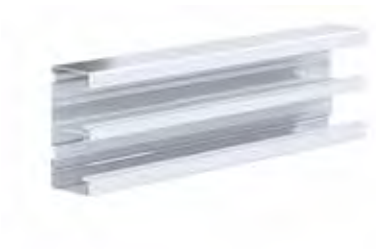
Universal aluminium cable trunkings for 80 mm sockets and fixtures of various manufacturers. Cross-section area for cables 8390 mm<sup>2</sup>.



	PRODUCT	WGT. kg / pc	PACKAGE
	INSTAL 144 L=3000 M PW	5.39	1 PCE / 3 MTR
<b>M</b>	White RAL 9010 polyester paint coating : C1-C2		
	PRODUCT	WGT. kg / pc	PACKAGE
	INSTAL 144 L=3000 AD	5.23	1 PCE / 3 MTR
<b>AD</b>	Anodized aluminium : C1-C2		

## Cable trunking base Instal® 144-2-45 M AD

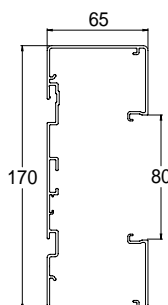
Universal 2-section aluminium cable trunkings for 45 mm sockets and fixtures of various manufacturers. Cross-section area for cables 8390 mm<sup>2</sup>.



	PRODUCT	WGT. kg / pc	PACKAGE
	INSTAL 144-2-45 L=3000 M PW	6.5	1 PCE / 3 MTR
<b>M</b>	White RAL 9010 polyester paint coating : C1-C2		
	PRODUCT	WGT. kg / pc	PACKAGE
	INSTAL 144-2-45 L=3000 AD	6.32	1 PCE / 3 MTR
<b>AD</b>	Anodized aluminium : C1-C2		

## Cable trunking base Instal® 170-1 M AD

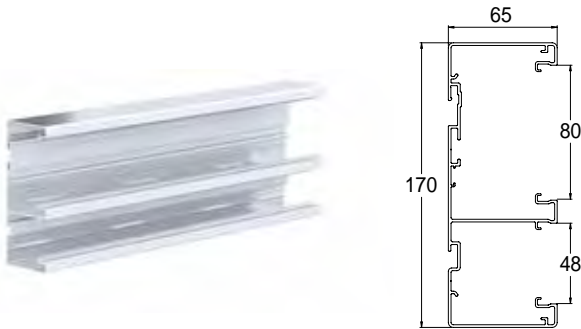
Universal aluminium cable trunkings for 80 mm sockets and fixtures of various manufacturers. Cross-section area for cables 9915 mm<sup>2</sup>.



	PRODUCT	WGT. kg / pc	PACKAGE
	INSTAL 170-1 L=3000 M PW	6.48	1 PCE / 3 MTR
<b>M</b>	White RAL 9010 polyester paint coating : C1-C2		
	PRODUCT	WGT. kg / pc	PACKAGE
	INSTAL 170-1 L=3000 AD	6.29	1 PCE / 3 MTR
<b>AD</b>	Anodized aluminium : C1-C2		

## Cable trunking base Instal® 170-2 M AD

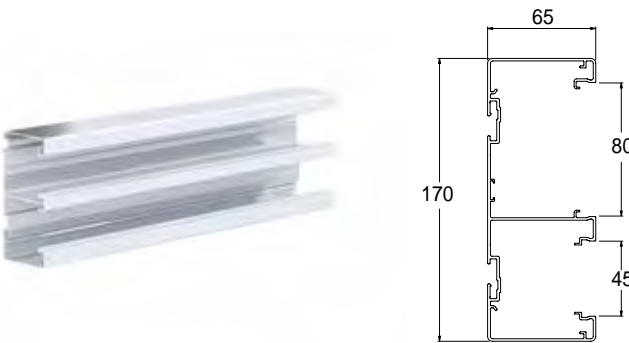
Universal 2-section aluminium cable trunkings for 80 mm sockets and fixtures of various manufacturers. Cross-section area for cables 9765 mm<sup>2</sup>.



	PRODUCT	WGT. kg / pc	PACKAGE
	INSTAL 170-2 L=3000 M PW	6.75	1 PCE / 3 MTR
<b>M</b>	White RAL 9010 polyester paint coating : C1-C2		
	PRODUCT	WGT. kg / pc	PACKAGE
	INSTAL 170-2 L=3000 AD	6.55	1 PCE / 3 MTR
<b>AD</b>	Anodized aluminium : C1-C2		

## Cable trunking base Instal® 170-2-45 M AD

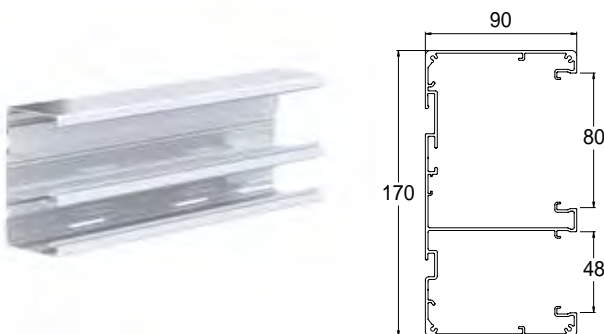
Universal 2-section aluminium cable trunkings for 80 mm and 45 mm sockets and fixtures of various manufacturers. Cross-section area for cables 9765 mm<sup>2</sup>.



	PRODUCT	WGT. kg / pc	PACKAGE
	INSTAL 170-2-45 L=3000 M PW	7.01	1 PCE / 3 MTR
<b>M</b>	White RAL 9010 polyester paint coating : C1-C2		
	PRODUCT	WGT. kg / pc	PACKAGE
	INSTAL 170-2-45 L=3000 AD	6.81	1 PCE / 3 MTR
<b>AD</b>	Anodized aluminium : C1-C2		

## Cable trunking base® 170-2 90 M AD

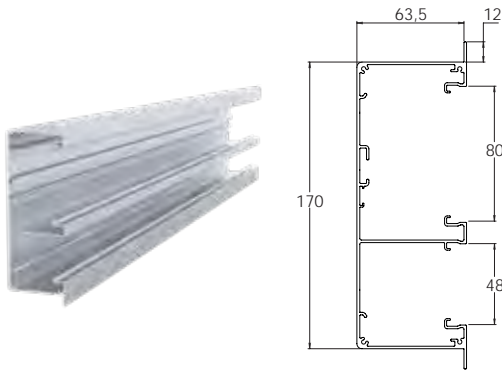
Universal 2-section aluminium cable trunkings for 80 mm sockets and fixtures of various manufacturers. Depth of trunkings is 90 mm. Cross-section area for cables 13870 mm<sup>2</sup>.



	PRODUCT	WGT. kg / pc	PACKAGE
	INSTAL 170-2 90 L=3000 M PW	7.73	1 PCE / 3 MTR
<b>M</b>	White RAL 9010 polyester paint coating : C1-C2		
	PRODUCT	WGT. kg / pc	PACKAGE
	INSTAL 170-2 90 L=3000 AD	7.5	1 PCE / 3 MTR
<b>AD</b>	Anodized aluminium : C1-C2		

## Cable trunking base Instal® 170-2F M AD

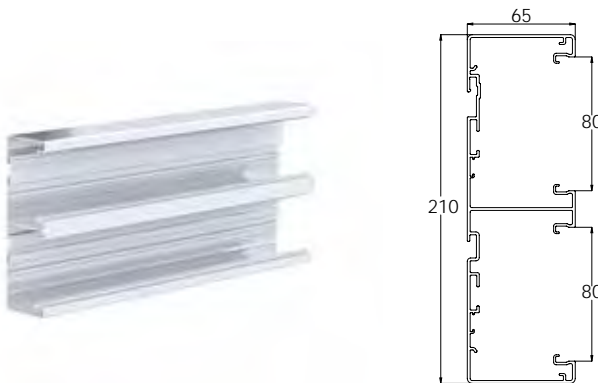
Universal recessed 2-section aluminium cable trunkings for 80 mm sockets and fixtures of various manufacturers. Cross-section area for cables 9765 mm<sup>2</sup>.



	PRODUCT	WGT. kg / pc	PACKAGE
	INSTAL 170-2F L=3000 M PW	6.87	1 PCE / 3 MTR
<b>M</b>	White RAL 9010 polyester paint coating : C1-C2		
	PRODUCT	WGT. kg / pc	PACKAGE
	INSTAL 170-2F L=3000 AD	6.87	1 PCE / 3 MTR
<b>AD</b>	Anodized aluminium : C1-C2		

## Cable trunking base Instal® 210-2 M AD

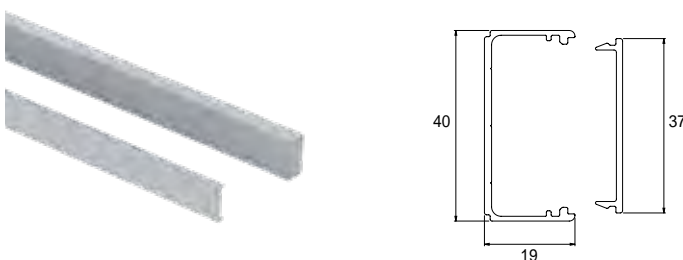
Universal 2-section aluminium cable trunkings for 80 mm sockets and fixtures of various manufacturers. Cross-section area for cables 12120 mm<sup>2</sup>.



	PRODUCT	WGT. kg / pc	PACKAGE
	INSTAL 210-2 L=3000 M PW	8.2	1 PCE / 3 MTR
<b>M</b>	White RAL 9010 polyester paint coating : C1-C2		
	PRODUCT	WGT. kg / pc	PACKAGE
	INSTAL 210-2 L=3000 AD	7.96	1 PCE / 3 MTR
<b>AD</b>	Anodized aluminium : C1-C2		

## Feeder trunking Instal® FT 40 M

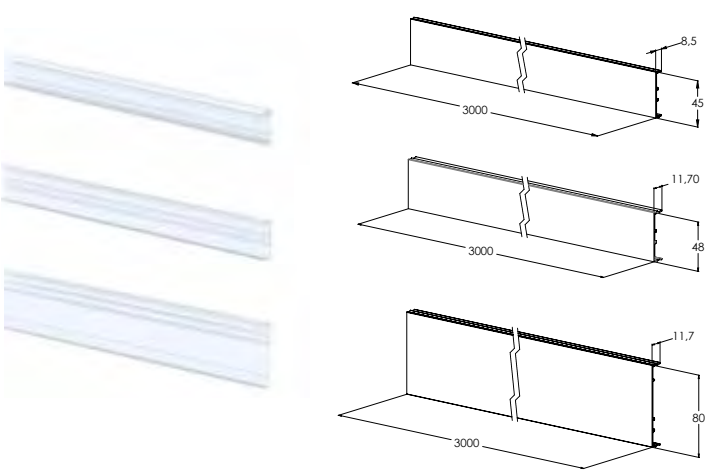
Aluminium feeder trunkings are used for installing cables.  
Cross-section area for cables 581 mm<sup>2</sup>. Colour RAL9010 pure white.



	PRODUCT	WGT. kg / pc	PACKAGE
	L=2700 M PW	1.2	5,4 MTR / 2 PCE
<b>M</b>	White RAL 9010 polyester paint coating : C1-C2		

# Cover Instal® K M AD

Using cable trunking covers guarantees safety and protect the cables from damage, dirt and UV radiation as well as finish the installation.

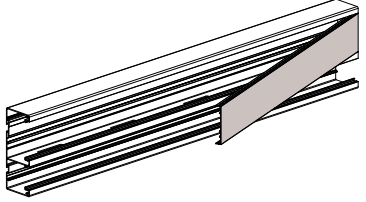


PRODUCT	WGT. kg / pc	PACKAGE
INSTAL K45 L=3000 M PW	0.71	8 PCE / 24 MTR
INSTAL K48 L=3000 M PW	0.84	6 PCE / 18 MTR
INSTAL K80 L=3000 M PW	1.19	6 PCE / 18 MTR

**M** White RAL 9010 polyester paint coating : C1-C2

PRODUCT	WGT. kg / pc	PACKAGE
INSTAL K45 L=3000 AD	0.68	8 PCE / 24 MTR
INSTAL K48 L=3000 AD	0.82	6 PCE / 18 MTR
INSTAL K80 L=3000 AD	1.15	6 PCE / 18 MTR

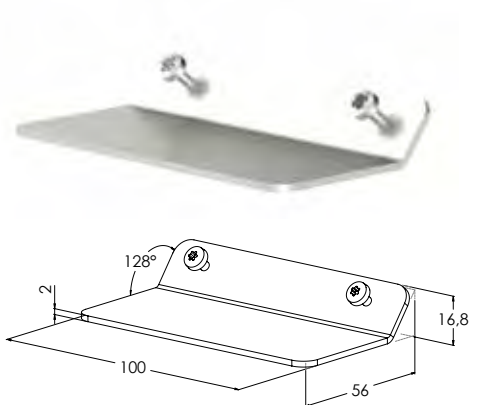
**AD** Anodized aluminium : C1-C2



Cable trunking covers lock in place when pressed on the fixture opening.

# Joint Instal® J PG

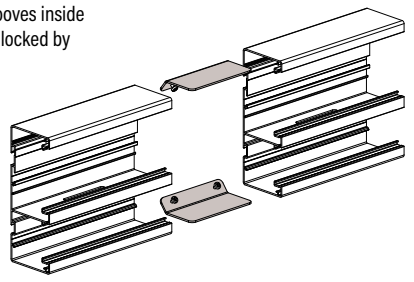
Joints INSTAL J are used to extend INSTAL cable trunkings. Fastening bolts are included.



PRODUCT	WGT. kg / pc	PACKAGE
INSTAL J	0.098	10 PCE / 1 BG

**PG** Manufactured of hot-dip galvanized steel in accordance with standard EN 10346 : C1-C2

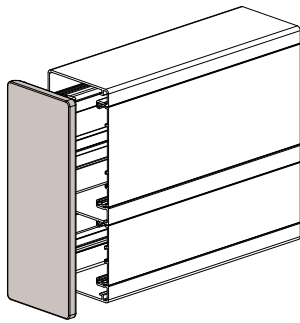
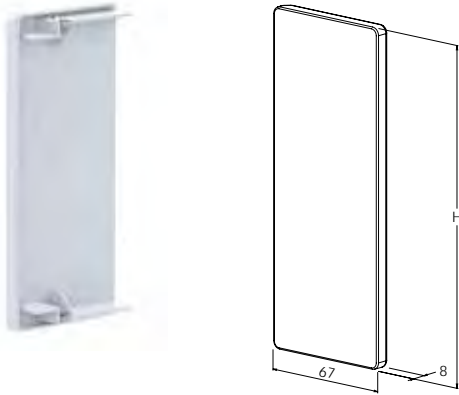
Joints are installed to grooves inside cable trunking base and locked by included screws.



# End plate Instal® P



End plates INSTAL P are used to finish the installation and cover ends of cable trunkings.



End plates are installed by pressing them on the cable trunking.

PRODUCT	WGT. kg / pc	H mm	PACKAGE
INSTAL P 100 M	0.041	104	10 PCE / 1 BG
INSTAL P 108 M	0.041	112	10 PCE / 1 BG
INSTAL P 130 M	0.041	134	10 PCE / 1 BG
INSTAL P 144 M	0.053	148	10 PCE / 1 BG
INSTAL P 170 M	0.06	174	10 PCE / 1 BG
INSTAL P 210 M	0.072	214	10 PCE / 1 BG

White plastic : C1

PRODUCT	WGT. kg / pc	H mm	PACKAGE
INSTAL P 100 AD	0.036	104	10 PCE / 1 BG
INSTAL P 108 AD	0.036	112	10 PCE / 1 BG
INSTAL P 130 AD	0.047	134	10 PCE / 1 BG
INSTAL P 144 AD	0.047	148	10 PCE / 1 BG
INSTAL P 170 AD	0.053	174	10 PCE / 1 BG
INSTAL P 210 AD	0.064	214	10 PCE / 1 BG

Grey plastic : C1

PRODUCT	WGT. kg / pc	H mm	PACKAGE
INSTAL P 170 90 M	0.14	170	10 PCE / 1 BG

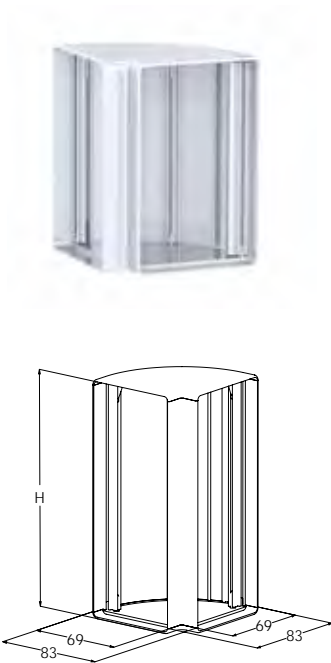
**M** White paint : C1

PRODUCT	WGT. kg / pc	H mm	PACKAGE
INSTAL P 170 90 AD	0.12	170	10 PCE / 1 BG

**AD** Anodized aluminium : C1-C2

# Corner piece Instal® KU M AD

Universal INSTAL KU corner pieces are used as inner as well outer corner of INSTAL and INFORM cable trunkings. Colour RAL9010 pure white.

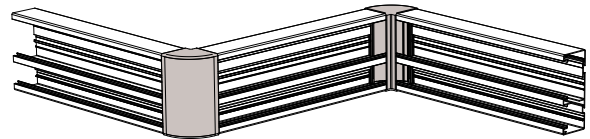


PRODUCT	WGT. kg / pc	H mm	PACKAGE
INSTAL KU 100 M PW	0.21	103	1 PCE
INSTAL KU 108 M PW	0.21	111	1 PCE
INSTAL KU 130 M PW	0.23	133	1 PCE
INSTAL KU 144 M PW	0.23	147	1 PCE
INSTAL KU 170 M PW	0.25	173	1 PCE
INSTAL KU 210 M PW	0.29	213	1 PCE

**M** White RAL 9010 polyester paint coating : C1-C2

PRODUCT	WGT. kg / pc	H mm	PACKAGE
INSTAL KU 100 AD	0.2	103	1 PCE
INSTAL KU 108 AD	0.2	111	1 PCE
INSTAL KU 130 AD	0.22	133	1 PCE
INSTAL KU 144 AD	0.22	147	1 PCE
INSTAL KU 170 AD	0.24	173	1 PCE
INSTAL KU 210 AD	0.28	213	1 PCE

**AD** Anodized aluminium : C1-C2

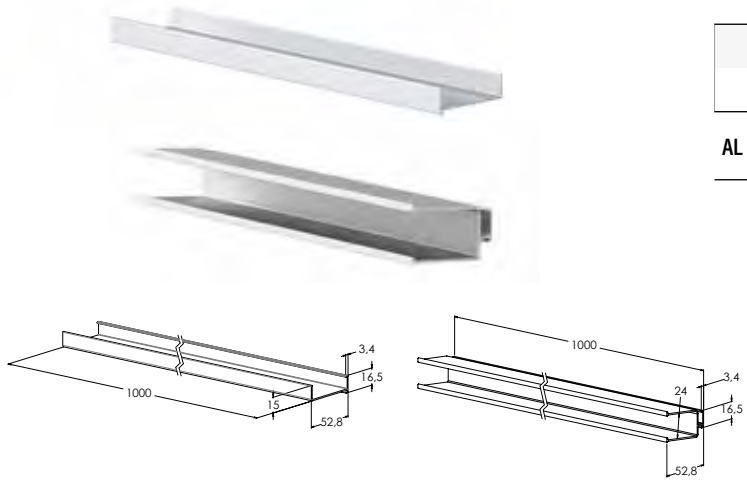


Cable trunking base is pushed inside the corner piece, after which it can be extended with another cable trunking base from the other side of the cornerpiece.

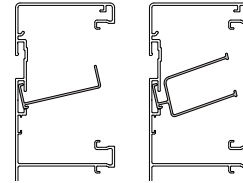


# Cable shelf Instal® VS AL

Cable shelves VS are used to separate cables inside of cable trunkings.



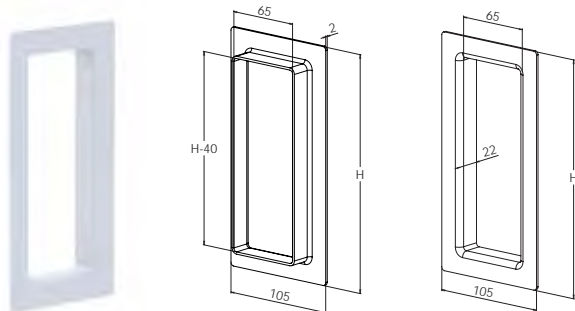
PRODUCT	WGT. kg / pc	PACKAGE
INSTAL VS L=1000 M PW	0.3	12 PCE / 12 MTR
INSTAL VS2 L=1000 M PW	0.51	12 PCE / 12 MTR
<b>AL</b>	<b>Manufactured of extruded aluminium alloy : C1-C2</b>	



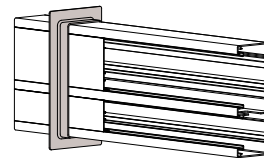
Cable shelves are installed by locking them to the cable trunking base's groove as shown in the image.

# Wall collar Instal® LVK

Wall collars INSTAL LVK are used when cable trunkings can be neatly lead through wall.



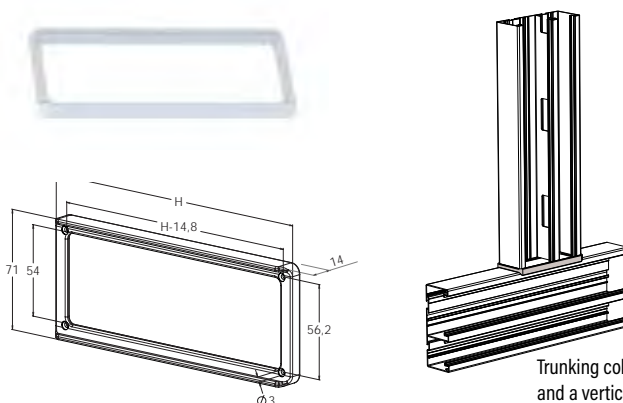
PRODUCT	WGT. kg / pc	H mm	PACKAGE
INSTAL LVK 100	0.037	140	10 PCE / 1 BG
INSTAL LVK 108	0.038	148	10 PCE / 1 BG
INSTAL LVK 130	0.042	170	10 PCE / 1 BG
INSTAL LVK 144	0.045	184	10 PCE / 1 BG
INSTAL LVK 170	0.051	210	10 PCE / 1 BG
INSTAL LVK 210	0.059	250	10 PCE / 1 BG
<b>White plastic : C1</b>			



Wall collars are used when the cable trunking needs to pass through a wall, for example.

# Trunking collar Instal® LK

Trunking collars INSTAL LK are used when cable trunkings have to be installed upright onto another.

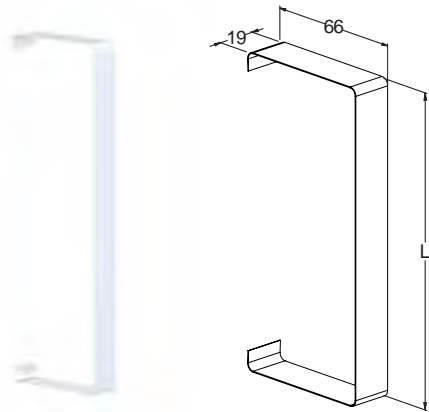


PRODUCT	WGT. kg / pc	H mm	PACKAGE
INSTAL LK 100	0.01	80	10 PCE / 1 BG
INSTAL LK 108	0.023	114	10 PCE / 1 BG
INSTAL LK 130	0.011	64	10 PCE / 1 BG
INSTAL LK 144	0.028	150	10 PCE / 1 BG
INSTAL LK 170	0.032	176	10 PCE / 1 BG
INSTAL LK 210	0.038	216	10 PCE / 1 BG
<b>White plastic : C1</b>			

Trunking collars are installed in the joints of a horizontal and a vertical cable trunking.

# Joint cover Instal® UT

Joint covers INSTAL UT are used to cover INSTAL cable trunkings' junction place gap.



PRODUCT	WGT. kg / pc	MATERIAL	L mm	PACKAGE
INSTAL UT 100 M	0.014	Steel	104	10 PCE / 1 BG
INSTAL UT 108 M	0.014	Steel	109	10 PCE / 1 BG
INSTAL UT 130 M	0.018	Steel	134	10 PCE / 1 BG
INSTAL UT 144 M	0.018	Steel	145	10 PCE / 1 BG
INSTAL UT 170 M	0.027	Steel	171	10 PCE / 1 BG
INSTAL UT 210 M	0.022	Steel	211	10 PCE / 1 BG

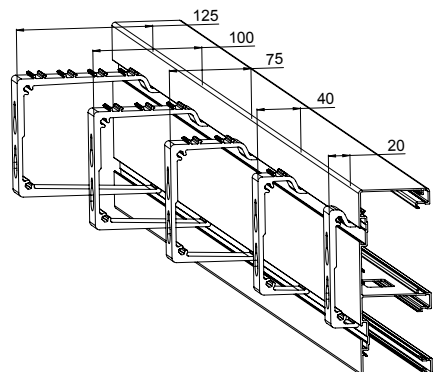
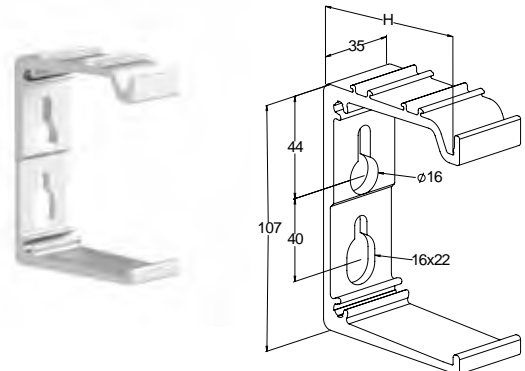
**M** White paint : C1-C2

PRODUCT	WGT. kg / pc	MATERIAL	L mm	PACKAGE
INSTAL UT 100 AD	0.014	Steel	104	10 PCE / 1 BG
INSTAL UT 108 AD	0.014	Steel	109	10 PCE / 1 BG
INSTAL UT 130 AD	0.017	Steel	134	10 PCE / 1 BG
INSTAL UT 144 AD	0.017	Steel	145	10 PCE / 1 BG
INSTAL UT 170 AD	0.026	Steel	171	10 PCE / 1 BG
INSTAL UT 210 AD	0.021	Steel	211	10 PCE / 1 BG

Grey paint : C1-C2

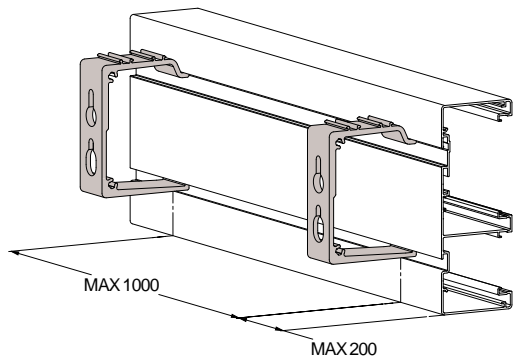
# Wall bracket Instal® SK AL

Wall brackets INSTAL SK are used for mounting INSTAL-type cable trunkings (excluding INSTAL 100 and 108) to wall.



PRODUCT	WGT. kg / pcl	H mm	PACKAGE
INSTAL SK 20	0.071	25	10 PCE / 1 BG
INSTAL SK 40	0.09	45	10 PCE / 1 BG
INSTAL SK 75	0.12	80	10 PCE / 1 BG
INSTAL SK 100	0.15	105	10 PCE / 1 BG
INSTAL SK 125	0.19	130	10 PCE / 1 BG

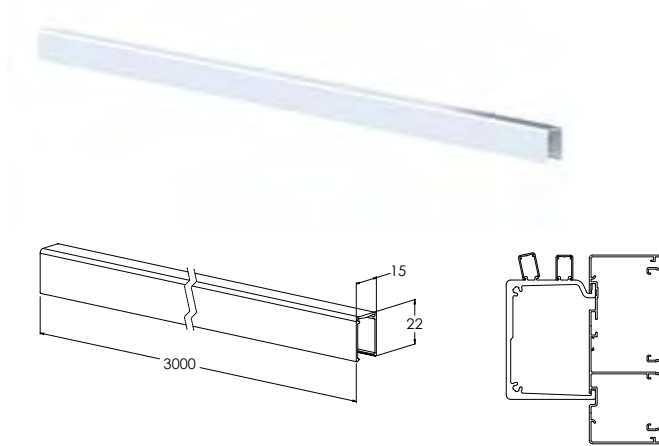
**AL** Manufactured of extruded aluminium alloy : C1-C2



The cable trunking base is suspended on the wall bracket's hooks from the grooves in cable trunking base.

## Decorative rib Instal® PS

Decorative ribs PS are used to cover the gap between the cable trunkings and wall. Colour RAL9010 pure white.



	PRODUCT	WGT. kg / pc	PACKAGE
	INSTAL PS L=3000 M PW	0.57	10 PCE / 30 MTR
<b>M</b>	White RAL 9010 polyester paint coating : C1-C2		

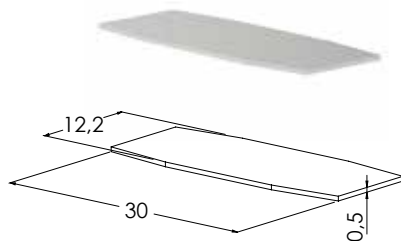
	PRODUCT	WGT. kg / pc	PACKAGE
	INSTAL PS L=3000 AD	0.55	10 PCE / 30 MTR
<b>AD</b>	Anodized aluminium : C1-C2		

Decorative ribs are installed to the wall bracket as shown in the image. Decorative ribs are installed to the wall bracket as shown in the image. Decorative ribs are used to close the gap between the cable trunking and wall without blocking air flow.

## Joint Instal® PSJ



Joints INSTAL PSJ are used to extend INSTAL PS decorative ribs.

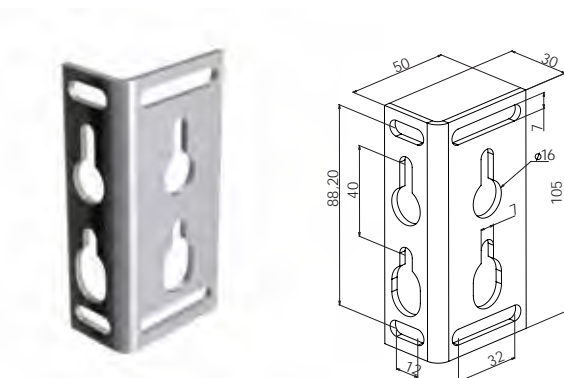


	PRODUCT	WGT. kg / pc	PACKAGE
	INSTAL PSJ	0.001	10 PCE / 1 BG
<b>PG</b>	Manufactured of hot-dip galvanized steel in accordance with standard EN 10346 : C1-C2		

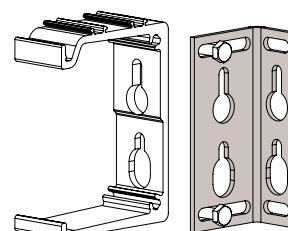
## Adjusting piece Instal® SL2



Adjusting pieces INSTAL SL are used together with wall brackets SK in cases when the wall is not straight enough.



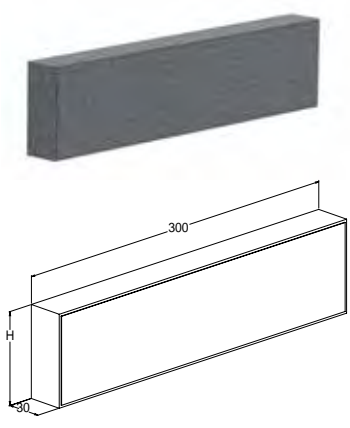
	PRODUCT	WGT. kg / pc	PACKAGE
	INSTAL SL2	0.14	10 PCE / 1 BG
<b>PG</b>	Manufactured of hot-dip galvanized steel in accordance with standard EN 10346 : C1-C2		



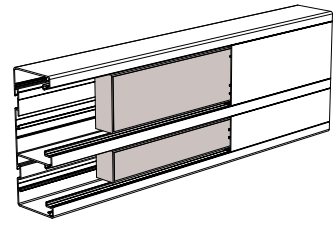
Adjusting piece is installed to the wall bracket as shown in the image. Adjusting range 3-34 mm.

# Sound isolation piece Instal® LIS

Sound isolation pieces INSTAL LIS are used inside of cable trunking to avoid noise transfer between rooms.



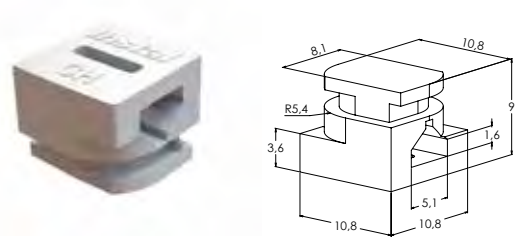
PRODUCT	WGT. kg / pcl	H mm	PACKAGE
INSTAL LIS-48	0.33	40	1 PCE
INSTAL LIS-80	0.6	72	1 PCE
Grey plastic : C1			



Sound isolation pieces are installed inside the cable trunking under the cover.

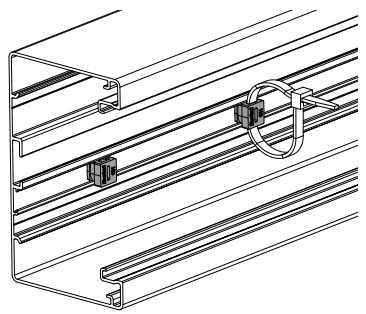
# Cable tie clamp Instal® CH

Plastic cable tie clamp for INSTAL® cable trunkings.



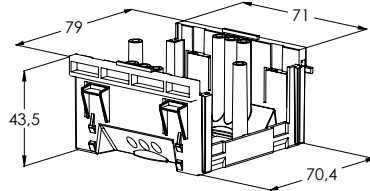
PRODUCT	WGT. kg / pc	PACKAGE
INSTAL CH	0.001	100 PCE / 1 BG

The cable tie clamp is inserted into the interior groove of the cable trunking's base and locked in place by twisting it 90°. Maximum width of cable tie is 5mm.



# Mounting box Basic MB

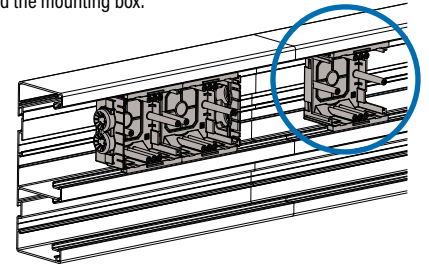
Mounting boxes MB are used for installing sockets and other fixtures into Instal® and Inform cable trunkings.



**Please note!**  
Socket compatibility with Basic MB mounting box must be verified.

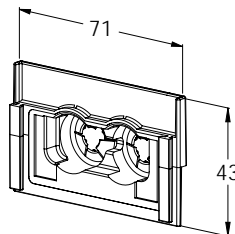
PRODUCT	WGT. kg / pc	PACKAGE
BASIC MB	0.032	10 PCE / 1 BG
White plastic : C1		

The mounting box is pressed into the 80mm opening of the trunking and snapped in place, allowing the mounting box to slide parallel to the trunking's body. There is a 15-20mm cable space between the trunking body's bottom and the mounting box.

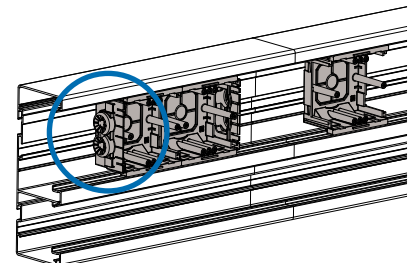


# End caps with strain relieves Basic EC

End caps with strain relief are used on ends of MB mounting boxes.

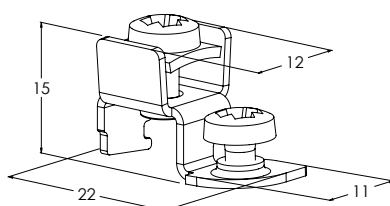


PRODUCT	WGT. kg / pc	PACKAGE
BASIC EC	0.009	20 PCE / 1 BG
White plastic : C1		

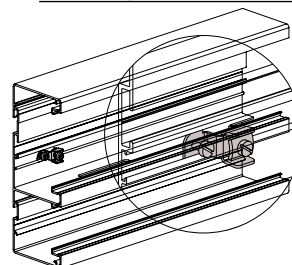


# Earthing coupler Instal® ML

Earthing couplers INSTAL ML Earthing are used for earthing cable trunkings and covers.



PRODUCT	WGT. kg / pc	PACKAGE
INSTAL ML	0.007	100 PCE / 1 BG
PG	Earthing couplers INSTAL ML Earthing are used for earthing cable trunkings and covers. : C1-C2	



The earthing coupler is installed to the groove inside the cable trunking base and fastened with the included screw.

# Socket Poles



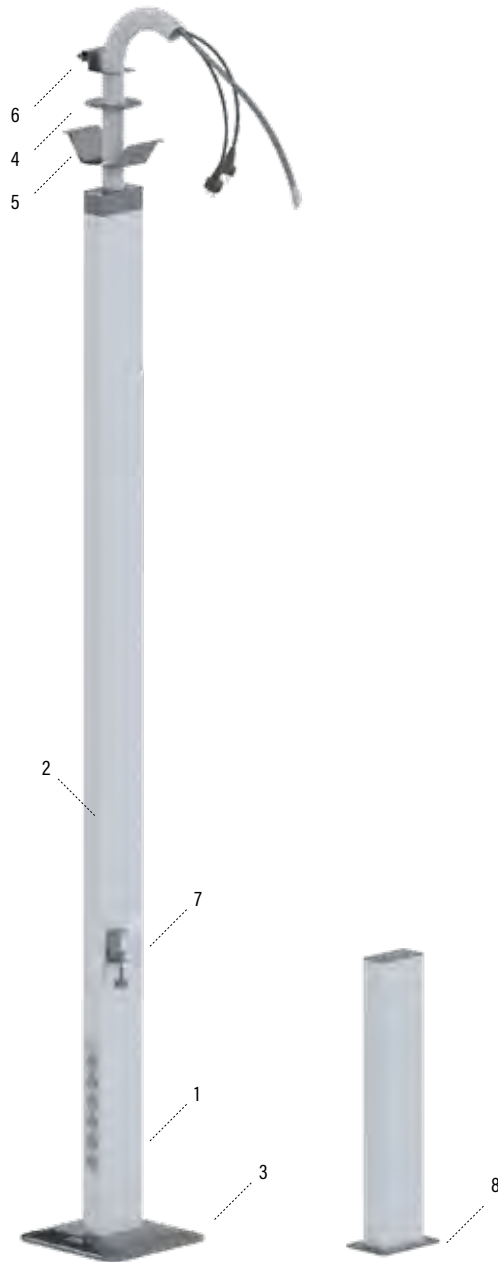
# Instal<sup>®</sup> SP 45-1 system



NO.	TYPE	ITEM	SURFACE TREATMENT	PAGE
1	Socket pole	INSTAL SP45-1E	(M) (AD)	36
2	Cover	INSTAL K45 PRP	(M) (AD)	39
3	Floor base	INSTAL SP45 FS	Grey	41
4	Ceiling frame	INSTAL SP45 MB1	(M)	40
5	Ceiling bracket	INSTAL SP45 MB2	(M)	40
6	Flexible conduit bracket	INSTAL SP45 MB3	(M)	40
7	Table bracket	INSTAL SP45 TB	(M)	40
8	Socket pole	INSTAL SP45-1FPE	(M) (AD)	36

- (M) White paint coat. Atmospheric-corrosivity category C1-C2
- (B) Black paint coat. Atmospheric-corrosivity category C1-C2
- (AD) Anodized aluminum. Atmospheric-corrosivity category C1-C2
- (AL) Aluminum. Atmospheric-corrosivity category C1-C2
- (EG) Electrogalvanised steel. Atmospheric-corrosivity category C1-C2
- (PG) Pre-galvanised steel. Atmospheric-corrosivity category C1-C2
- (HDB) Hot-dip galvanised after manufacturing. Atmospheric-corrosivity category C1-C4
- (XPG) XPG coated. Atmospheric-corrosivity category C1-C4
- (HS) Acid-proof steel. Atmospheric-corrosivity category C1-CX

# Instal<sup>®</sup> SP 45-2 system

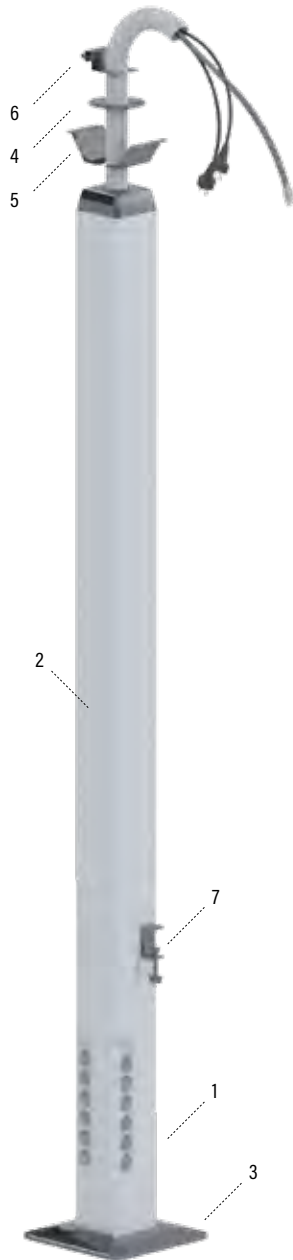


NO.	TYPE	ITEM	SURFACE TREATMENT	PAGE
1	Socket pole	INSTAL SP45-2E	(M) (AD)	37
2	Cover	INSTAL K45 PRP	(M) (AD)	39
3	Floor base	INSTAL SP45 FS	Grey	41
4	Ceiling frame	INSTAL SP45 MB1	(M)	40
5	Ceiling bracket	INSTAL SP45 MB2	(M)	40
6	Flexible conduit bracket	INSTAL SP45 MB3	(M)	40
7	Table bracket	INSTAL SP45 TB	(M)	40
8	Socket pole	INSTAL SP45-2FPE	(M) (AD)	37

- (M) White paint coat. Atmospheric-corrosivity category C1-C2
- (B) Black paint coat. Atmospheric-corrosivity category C1-C2
- (AD) Anodized aluminum. Atmospheric-corrosivity category C1-C2
- (AL) Aluminum. Atmospheric-corrosivity category C1-C2
- (EG) Electrogalvanised steel. Atmospheric-corrosivity category C1-C2
- (PG) Pre-galvanised steel. Atmospheric-corrosivity category C1-C2
- (HDG) Hot-dip galvanised after manufacturing. Atmospheric-corrosivity category C1-C4
- (XPG) XPG coated. Atmospheric-corrosivity category C1-C4
- (HST) Acid-proof steel. Atmospheric-corrosivity category C1-CX



# Instal® SP 45-4 system



NO.	TYPE	ITEM	SURFACE TREATMENT	PAGE
1	Socket pole	INSTAL SP45-4E	(M) (AD)	38
2	Cover	INSTAL K45 PRP	(M) (AD)	39
3	Floor base	INSTAL SP45 FS	Grey	41
4	Ceiling frame	INSTAL SP45 MB1	(M)	40
5	Ceiling bracket	INSTAL SP45 MB2	(M)	40
6	Flexible conduit bracket	INSTAL SP45 MB3	(M)	40
7	Table bracket	INSTAL SP45 TB	(M)	40

- (M) White paint coat. Atmospheric-corrosivity category C1-C2
- (B) Black paint coat. Atmospheric-corrosivity category C1-C2
- (AD) Anodized aluminum. Atmospheric-corrosivity category C1-C2
- (AL) Aluminum. Atmospheric-corrosivity category C1-C2
- (EG) Electro-galvanized steel. Atmospheric-corrosivity category C1-C2
- (PG) Pre-galvanized steel. Atmospheric-corrosivity category C1-C2
- (HDB) Hot-dip galvanized after manufacturing. Atmospheric-corrosivity category C1-C4
- (XPG) XPG coated. Atmospheric-corrosivity category C1-C4
- (HSI) Acid-proof steel. Atmospheric-corrosivity category C1-CX

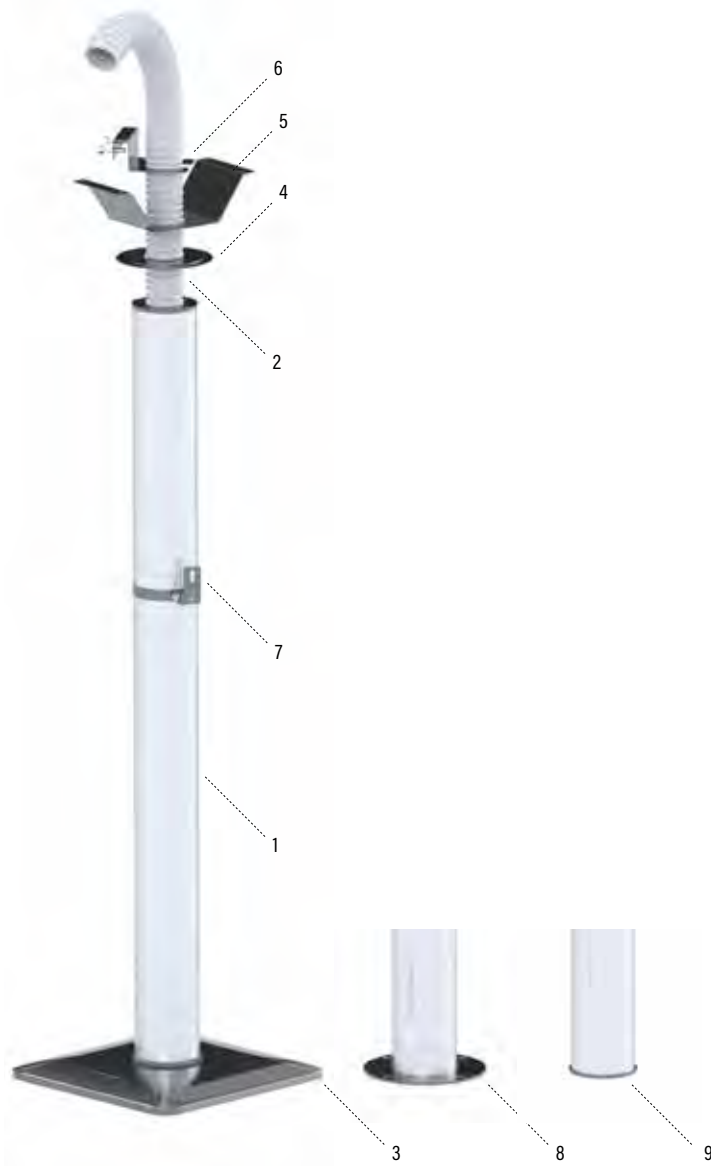
# Instal® SP P50 system



NO.	TYPE	ITEM	SURFACE TREATMENT	PAGE
1	Feeder pole	INSTAL SP P50	(M) (AD)	38
2	Flexible conduit	INSTAL SP WP P50	White, Grey	39
3	Floor base	INSTAL SP45 FS	Grey	41
4	Ceiling frame	INSTAL SP45 MB1	(M)	40
5	Ceiling bracket	INSTAL SP45 MB2	(M)	40
6	Flexible conduit bracket	INSTAL SP45 MB3	(M)	40
7	Mounting Clamp	INSTAL SP P50 MC M	(M)	41
8	Floor Clamp	INSTAL SP P50 FC M	(M)	41
9	End piece	INSTAL SP P50 LE	Grey paint coat	41

- (M) White paint coat. Atmospheric-corrosivity category C1-C2
- (B) Black paint coat. Atmospheric-corrosivity category C1-C2
- (AD) Anodized aluminum. Atmospheric-corrosivity category C1-C2
- (AL) Aluminum. Atmospheric-corrosivity category C1-C2
- (EG) Electrogalvanised steel. Atmospheric-corrosivity category C1-C2
- (PG) Pre-galvanised steel. Atmospheric-corrosivity category C1-C2
- (HDG) Hot-dip galvanised after manufacturing. Atmospheric-corrosivity category C1-C4
- (XPG) XPG coated. Atmospheric-corrosivity category C1-C4
- (HST) Acid-proof steel. Atmospheric-corrosivity category C1-CX

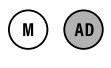
# Instal<sup>®</sup> SP P85 system



NO.	TYPE	ITEM	SURFACE TREATMENT	PAGE
1	Feeder pole	INSTAL SP P85	(M) (AD)	39
2	Flexible conduit	INSTAL SP WP P85	White, Grey	39
3	Floor base	INSTAL SP45 FS	Grey	41
4	Ceiling frame	INSTAL SP45 MB1	(M)	40
5	Ceiling bracket	INSTAL SP45 MB2	(M)	40
6	Flexible conduit bracket	INSTAL SP45 MB3	(M)	40
7	Mounting Clamp	INSTAL SP P85 MC M	(M)	41
8	Floor Clamp	INSTAL SP P85 FC M	(M)	41
9	End piece	INSTAL SP P85 LE	Grey paint coat	41

- (M) White paint coat. Atmospheric-corrosivity category C1-C2
- (B) Black paint coat. Atmospheric-corrosivity category C1-C2
- (AD) Anodized aluminum. Atmospheric-corrosivity category C1-C2
- (AL) Aluminum. Atmospheric-corrosivity category C1-C2
- (EG) Electrogalvanised steel. Atmospheric-corrosivity category C1-C2
- (PG) Pre-galvanised steel. Atmospheric-corrosivity category C1-C2
- (HDG) Hot-dip galvanised after manufacturing. Atmospheric-corrosivity category C1-C4
- (XPG) XPG coated. Atmospheric-corrosivity category C1-C4
- (HST) Acid-proof steel. Atmospheric-corrosivity category C1-CX

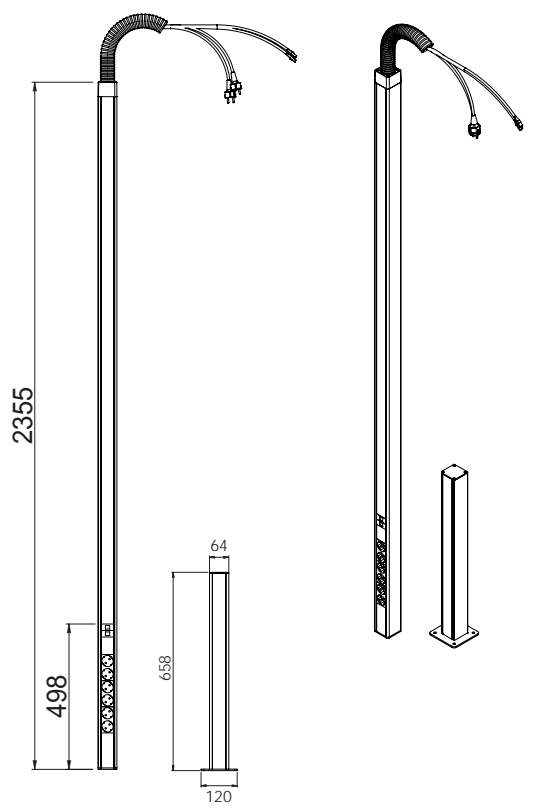
# Socket pole Instal® SP 45-1



One-sided socket poles with sockets, cables and flexible conduit.



**Please note!**  
Instal FS floor stand must be ordered separately



One-sided socket poles with sockets, cables and flexible conduit

- 2x 2-piece power outlet socket.
- 1x 2 piece power outlet socket with marking DATA
- 2x RJ45 socket
- Length of connecting cables 3 meters.
- Product includes 1.5 m Flexible conduits for feeder poles to protect cables.

	PRODUCT	WGT. kg / pc	PACKAGE
	INSTAL SP45-1 L=2300 M	7.3	1 PCE
M	White paint : C1-C2		

One-sided socket poles, empty

Socket poles can be made according customer specification.

	PRODUCT	WGT. kg / pc	PACKAGE
	INSTAL SP45-1E L=2300 M	3.56	1 PCE
M	White paint : C1-C2		

	PRODUCT	WGT. kg / pc	PACKAGE
	INSTAL SP45-1E L=2300 AD	3.52	1 PCE
AD	Anodized aluminium : C1-C2		

One-sided floor-type socket poles, without sockets and cables

Socket poles can be made according customer specification.

	PRODUCT	WGT. kg / pc	PACKAGE
	INSTAL SP45-1FPE L=650 M	1.45	1 PCE
M	White paint : C1-C2		

	PRODUCT	WGT. kg / pc	PACKAGE
	INSTAL SP45-1FPE L=650 AD	1.44	1 PCE
AD	Anodized aluminium : C1-C2		

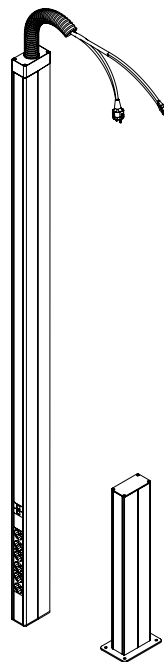
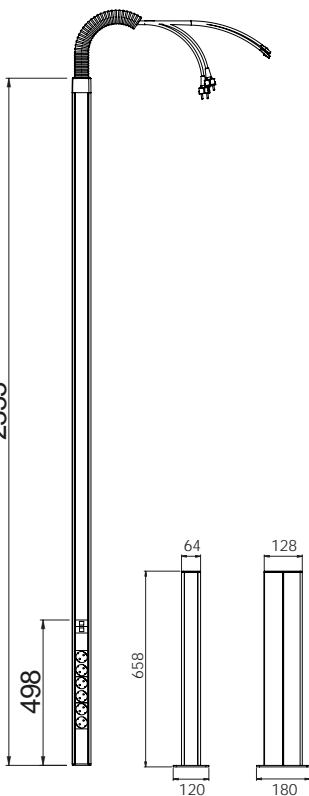
# Socket pole Instal® SP 45-2



Two-sided socket poles with sockets, cables and flexible conduit.



Please note!  
Instal FS floor stand  
must be ordered  
separately



## Two-sided socket poles with sockets, cables and flexible conduit

Sockets on both side of socket pole:

2x 2-piece power outlet socket.

1x 2 piece power outlet socket with marking DATA

2x RJ45 socket,

Length of connecting cables 3 meters.

Includes 1.5 m Flexible conduits for feeder poles to protect cables.

	PRODUCT	WGT. kg / pc	PACKAGE
	INSTAL SP45-2 L=2300 M	11.36	1 PCE
M	White paint : C1-C2		

## Two-sided socket poles, empty

Socket poles can be made according customer specification.

	PRODUCT	WGT. kg / pc	PACKAGE
	INSTAL SP45-2E L=2300 M	6.54	1 PCE
M	Valkoinen maali : C1-C2		

	PRODUCT	WGT. kg / pc	PACKAGE
	INSTAL SP45-2E L=2300 AD	6.51	1 PCE
AD	White paint : C1-C2		

## Two-sided floor-type socket poles, empty

Socket poles can be made according customer specification.

	PRODUCT	WGT. kg / pc	PACKAGE
	INSTAL SP45-2FPE L=650 M	2.71	1 PCE
M	White paint : C1-C2		

	PRODUCT	WGT. kg / pc	PACKAGE
	INSTAL SP45-2FPE L=650 AD	2.7	1 PCE
AD	Anodized aluminium : C1-C2		

# Socket pole Instal® SP 45-4 M AD

Four-sided socket poles, empty.



### Four-sided socket poles, empty

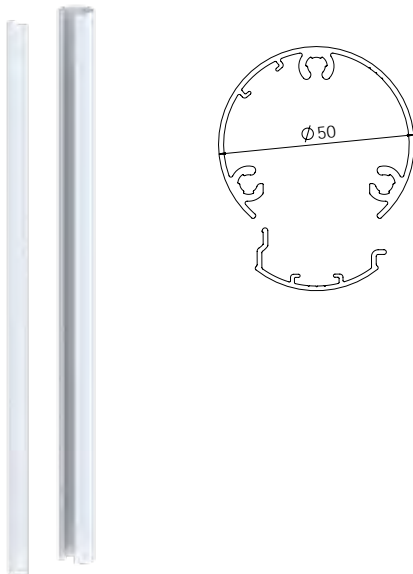
Socket poles can be made according customer specification.  
Product includes 1.5 m Flexible conduits for feeder poles to protect cables.

	PRODUCT	WGT. kg / pc	PACKAGE
	INSTAL SP45-4E L=2300 M	12.86	1 PCE
<b>M</b>	White paint : C1-C2		

	PRODUCT	WGT. kg / pc	PACKAGE
	INSTAL SP45-4E L=2300 AD	12.77	1 PCE
<b>AD</b>	Anodized aluminium : C1-C2		

# Feeder pole Instal® SP P50 M AD

Aluminium feeder poles for cables, diameter 50 mm.

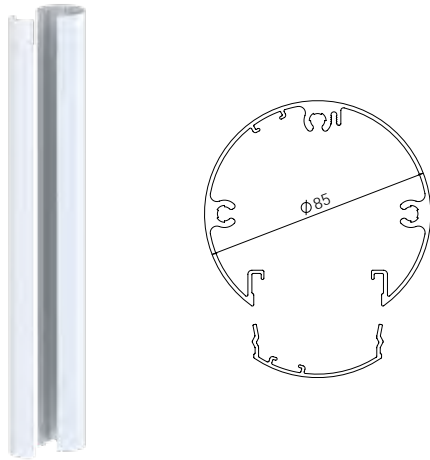


	PRODUCT	WGT. kg / pc	PACKAGE
	INSTAL SP P50 L=3000 M	2.74	1 PCE
<b>M</b>	White paint C1-C2		

	PRODUCT	WGT. kg / pc	PACKAGE
	INSTAL SP P50 L=3000 AD	2.66	1 PCE
<b>AD</b>	Anodized aluminium : C1-C2		

## Feeder pole Instal® SP P85 M AD

Aluminium feeder poles for cables, diameter 85 mm.

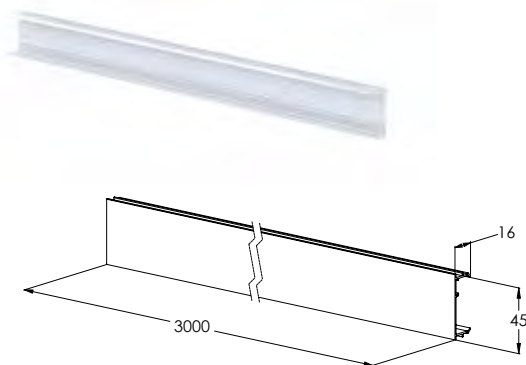


	PRODUCT	WGT. kg / pc	PACKAGE
	INSTAL SP P85 L=3000 M	5.82	1 PCE
<b>M</b>	White paint : C1-C2		

	PRODUCT	WGT. kg / pc	PACKAGE
	INSTAL SP P85 L=3000 AD	5.65	1 PCE
<b>AD</b>	Anodized aluminium : C1-C2		

## Cover Instal® K45 PRP M AD

Cover for Instal SP45 socket poles.

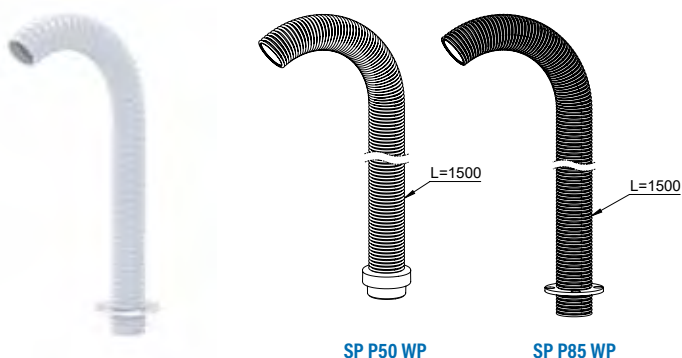


	PRODUCT	WGT. kg / pc	PACKAGE
	INSTAL K45 PRP L=3000 M	0.78	1 PCE / 3 MTR
<b>M</b>	White paint : C1-C2		

	PRODUCT	WGT. kg / pc	PACKAGE
	INSTAL K45 PRP L=3000 AD	0.75	1 PCE / 3 MTR
<b>AD</b>	Anodized aluminium : C1-C2		

## Flexible conduit Instal® WP

Flexible conduits for feeder poles INSTAL SP P are used to protect cables.

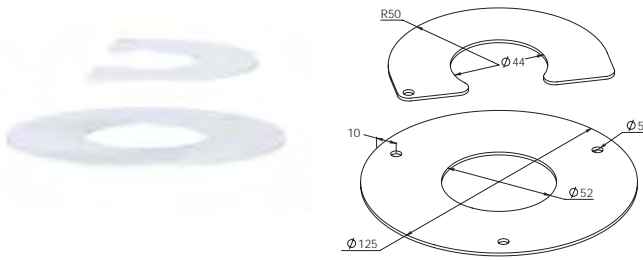


	PRODUCT	WGT. kg / pc	PACKAGE
	INSTAL SP WP P50 L=1500 M	0.53	1 PCE
	INSTAL SP WP P85 L=1500 M	0.6	1 PCE
	White plastic : C1		

	PRODUCT	WGT. kg / pc	PACKAGE
	INSTAL SP WP P50 L=1500 AD	0.53	1 PCE
	INSTAL SP WP P85 L=1500 AD	0.6	1 PCE
	Grey plastic : C1		

## Ceiling frame Instal® MB1

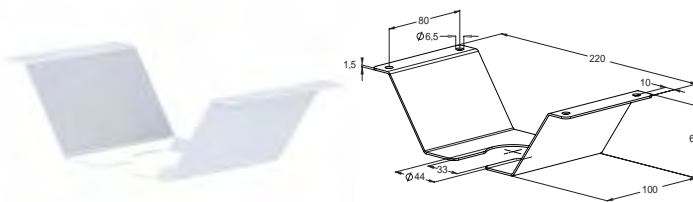
Ceiling frames INSTAL SP45 MB1 are used for fastening flexible conduits to suspended ceilings.



	PRODUCT	WGT. kg / pc	MATERIAL	PACKAGE
	INSTAL SP45 MB1	0.17	Steel	1 PCE
<b>M</b>	White paint : C1-C2			

## Ceiling bracket Instal® MB2

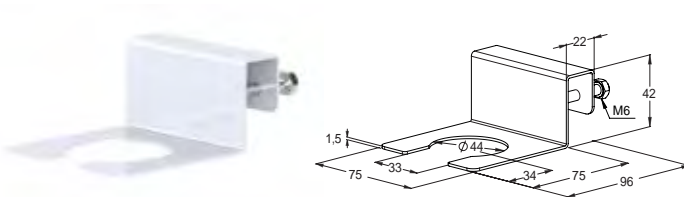
Ceiling brackets INSTAL SP45 MB2 are used for fastening flexible conduits to ceilings.



	PRODUCT	WGT. kg / pc	MATERIAL	PACKAGE
	INSTAL SP45 MB2	0.3	Steel	1 PCE
<b>M</b>	White paint : C1-C2			

## Flexible conduit bracket Instal® MB3

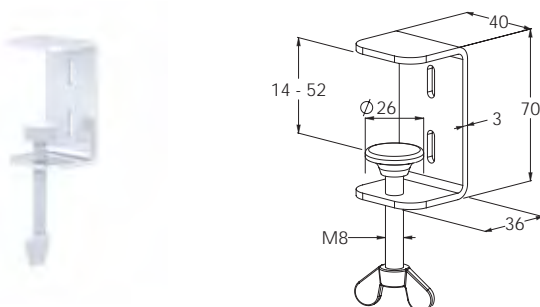
Flexible conduit brackets INSTAL SP45 MB3 are used for fastening flexible conduits to cable trays, lighting support rails and cable ladders.



	PRODUCT	WGT. kg / pc	MATERIAL	PACKAGE
	INSTAL SP45 MB3	0.13	Steel	1 PCE
<b>M</b>	White paint : C1-C2			

## Table bracket Instal® TB

Brackets INSTAL SP45 TB are used for fastening socket poles to tables and other plates.

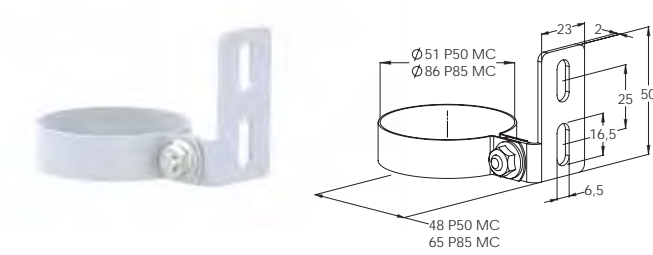


	PRODUCT	WGT. kg / pc	MATERIAL	PACKAGE
	INSTAL SP45 TB	0.17	Steel	1 PCE
<b>M</b>	White paint : C1-C2			



# Mounting Clamp Instal® MC

Mounting clamps are used for fastening INSTAL SP P feeder poles to walls or other surfaces.



	PRODUCT	WGT. kg / pc	MATERIAL	PACKAGE
	INSTAL SP P50 MC M	0.05	Steel	1 PCE
	INSTAL SP P85 MC M	0.07	Steel	1 PCE
<b>M</b>	White paint : C1-C2			

# Floor base Instal® FS

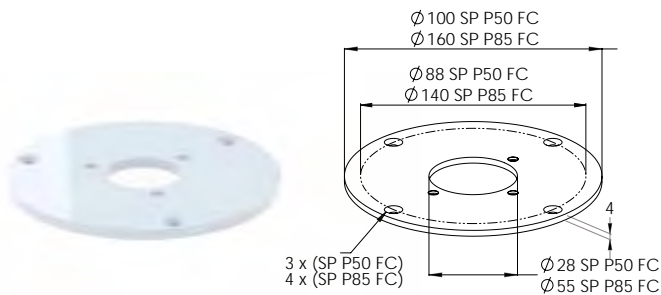
Floor base INSTAL SP45 FS are used with INSTAL socket poles and feeder poles.



	PRODUCT	WGT. kg / pc	MATERIAL	PACKAGE
	INSTAL SP45 FS	7.55	Steel	1 PCE
	Grey plastic : C1-C2			

# Floor Clamp Instal® FC

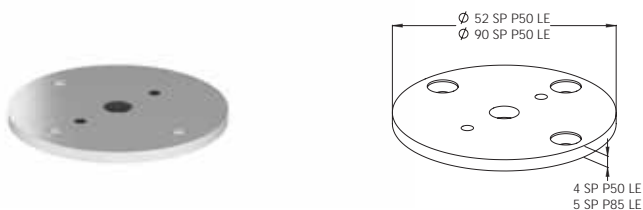
Floor clamps are used for mounting INSTAL SP P feeder poles to floor.



	PRODUCT	WGT. kg / pc	MATERIAL	PACKAGE
	INSTAL SP P50 FC M	0.3	Steel	1 PCE
	INSTAL SP P85 FC M	0.6	Steel	1 PCE
<b>M</b>	White paint : C1-C2			

# End piece Instal® LE

Lower end pieces for INSTAL SP P feeder poles.



	PRODUCT	WGT. kg / pc	MATERIAL	PACKAGE
	INSTAL SP P50 LE	0.06	Steel	1 PCE
	INSTAL SP P85 LE	0.24	Steel	1 PCE
<b>M</b>	Grey paint : C1-C2			



## IES spol. s r.o.

Praha  
Zděbradská 72  
Tel.: 312 313 911

Zlín  
Tečovská 30  
Tel.: 577 155 311

