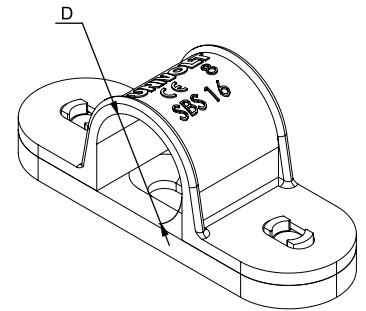


Data sheet

ID	HFS BK
Description	saddle, with two fixing holes, halogen-free
Properties	for mounting of rigid or pliable conduits with screws \varnothing 4 mm
Colour	black, similar to RAL 9005



Working temperature
 -25 to +90 °C

UV-Level*
 L2

Art. no.	For tube diameter	ps	pl
020 832	16 mm	100 pc	3200 pc
020 833	20 mm	50 pc	1600 pc
020 834	25 mm	100 pc	1600 pc
020 835	32 mm	100 pc	800 pc
020 836	40 mm	50 pc	400 pc
020 837	50 mm	50 pc	400 pc
020 838	63 mm	25 pc	200 pc

Further technical details

Details	
Closed	True
Tackable	False
Max. number of tubes	1
Type of fastening	Screw hole
With inlay	False
Material	PC-Blend

*) L1: Indoor use - to avoid UV discoloration (no exposure to direct sunlight).

L2: Partially shaded: Outside, in areas with sun only for two to four hours a day, in shadowy places.

L3: Full sun: To be used also in areas with whole-day exposure to sunlight, e. g. roofs, antenna poles or PV panels.

Civil engineering and road construction products marked "L2" have to be laid in the shortest time possible to ensure color fastness and stability.