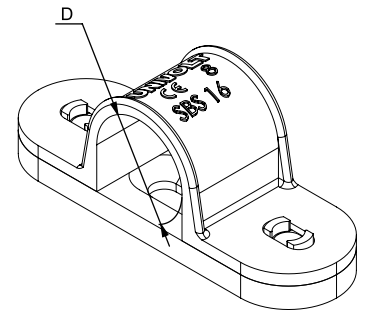


Data sheet

ID	HFS LG
Description	saddle, with two fixing holes, halogen-free
Properties	for mounting of rigid or pliable conduits with screws Ø 4 mm
Colour	light grey, similar to RAL 7035



Working temperature
-25 to +90 °C

UV-Level*
L2

Art. no.	For tube diameter	ps	pl
080 812	20 mm	50 pc	1600 pc
080 813	25 mm	100 pc	1600 pc
080 814	32 mm	100 pc	800 pc
080 815	40 mm	50 pc	400 pc
080 816	50 mm	50 pc	400 pc
080 817	63 mm	25 pc	200 pc

Further technical details

Details	
Closed	True
Tackable	False
Max. number of tubes	1
Type of fastening	Screw hole
With inlay	False
Material	PC-Blend

*) L1: Indoor use - to avoid UV discoloration (no exposure to direct sunlight).

L2: Partially shaded: Outside, in areas with sun only for two to four hours a day, in shadowy places.

L3: Full sun: To be used also in areas with whole-day exposure to sunlight, e. g. roofs, antenna poles or PV panels.

Civil engineering and road construction products marked "L2" have to be laid in the shortest time possible to ensure color fastness and stability.

All figures refer to standardised test samples and are given to our best knowledge but without further commitment. It is Univolt's belief that information set forth in this Data Sheet is accurate, Univolt, Dietzel GmbH, 1110 Wien, 1. Haidequerstraße 3-5, www.dietzel-univolt.com, makes no warranty, expressed or implied, with respect thereto and disclaims any liability from reliance thereon. All data are subject to change without prior notice.