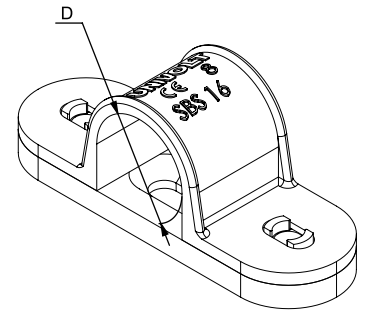


Data sheet

ID	HFS WH
Description	saddle, with two fixing holes, halogen-free
Properties	for mounting of rigid or pliable conduits with screws Ø 4 mm
Colour	white, similar to RAL 9010



Working temperature	UV-Level*
-25 to +90 °C	L2

Art. no.	For tube diameter	ps	pl
041 831	16 mm	100 pc	3200 pc
041 832	20 mm	50 pc	1600 pc
041 833	25 mm	100 pc	1600 pc
041 834	32 mm	100 pc	800 pc
041 836	50 mm	50 pc	400 pc

Further technical details

Details	
Closed	True
Tackable	False
Max. number of tubes	1
Type of fastening	Screw hole
With inlay	False
Material	PC-Blend

*) L1: Indoor use - to avoid UV discoloration (no exposure to direct sunlight).

L2: Partially shaded: Outside, in areas with sun only for two to four hours a day, in shadowy places.

L3: Full sun: To be used also in areas with whole-day exposure to sunlight, e. g. roofs, antenna poles or PV panels.

Civil engineering and road construction products marked "L2" have to be laid in the shortest time possible to ensure color fastness and stability.