

RJ45 Connector Box IP67

surface mount housing
for 2 modules



RJ45 Connector Box IP67 for 2 modules



MS-K 1/8 Cat.6/E_A shielded

KS-T 1/8 Cat.6/E_A shielded
KS-T 1/8 Cat.5e shielded

PS-GG45 4P Cat.7/6

For assembly with 2 shielded unilan modules (see above)

Product information

Application

RJ45 Connector Box IP67 for two RJ45-Modules shielded

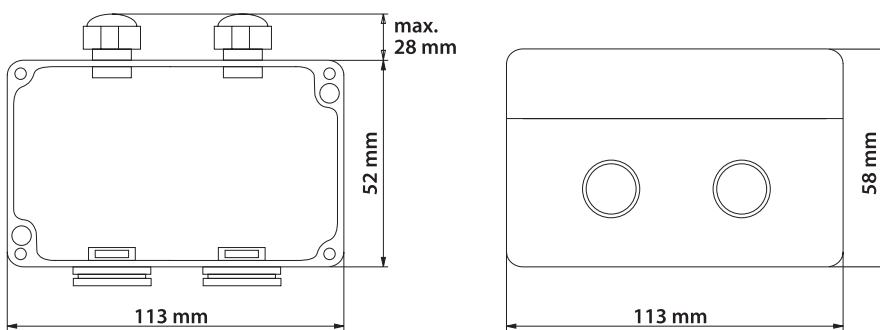
Ethernet protocols are increasingly used in an environment exposed to pollution. With this in mind, Dätwyler is offering the AP Connector Box Industrial IP67. The box makes the installation of two RJ45-Modules. For information on the properties of the module, refer to the data sheet of the requested module. This system is utilized in the area of structured cabling of buildings in the industrial sector, where longevity and uptime of the systems are of great importance.

Description

RJ45 Connector Box IP67 for 2 modules (requester typ see below)
Degree of protection IP67 - with connected RJ45 Patchcords IP67
Degree of protection IP20 - with connected Standard RJ45 Patchcords
Gasket for the incoming data cables with PG-gland
Stable chassis made of aluminium with surface colour in grey, similar RAL 7035
Wall-/floor mounting by inlying screw openings

Dimensions wide x height x deep = 113 x 52 x 58 mm

Dimensions



Article No.	Description	Colour (similar)	PU
417 530	Connector Box IP67 for 2 Modules (unloaded)	grey RAL 7035	1 piece