

Faceplate 2x

flush mounted

with straight outlet for 2 RJ45-Modules



Similar figures

Faceplate 2x UP - straight outlet flush mounted, with central plate

unilan® Cover Frame 80x80 mm

Example: Faceplate complete with central plate and coverframe and a module

Product information

Description

unilan® Faceplate for 2 RJ45 Modules with straight outlet

Ideal suitable for flush mounting with constricted space, for instance in a flush mount cup. . Der mounting frame consists of zink die casting with connection possibility for equal potential bonding. The snap in modules are easily fitted into the faceplates. Unused ports are covered with blanking elements (metal), which are able to break off. The faceplate has an area for labelling with transparent cover.

The faceplate is design able with an usual in trade TAE central plate.

The modules are not part of the delivery!

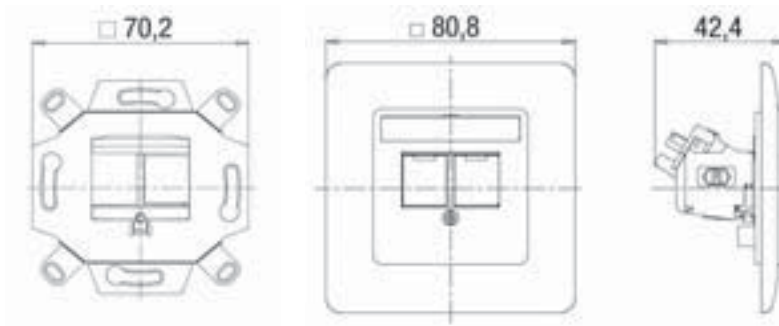
Suitable for the following unilan® Modules:

- RJ45 Module MS-K 1/8 Cat.6/E_A shielded
- RJ45 Module KS-T 1/8 Tool-Less shielded
- RJ45 Module KU-T 1/8 Tool-Less unshielded

Dimension

unilan® UP Faceplate:
Central Plate
Cover Frame

German standard
50 x 50 mm
80 x 80 mm



Colour

similar RAL 9010, white

Article No.	Description	Colour (similar to)	PU
440 020	UP unilan® Faceplate for 2 RJ45 Modules with straight outlet (without modules)	white RAL 9010	1 piece
1 400 830	cover frame 80 x 80 mm	white RAL 9010	1 piece

Article No.	Accessories/Description	Colour (similar)
417 985	Dust cover MS-K for reparation (1 Set = 25 pieces)	grey
417 986	Dust cover MS-K for reparation (1 Set = 25 pieces)	white RAL 9010