



CHANNELL

Where The Industry Connects.

ORDERING GUIDE



OPF12123 Pedestal
Interior Dimensions:
Cover: 12" x 12" x 25"
Base: 13" x 13.5" x 15"



PART NUMBER CONFIGURATION MASTER

Rev.

D

Prefix

OPFDescription: **Optimus FTTP (for 12123 Pedestal)**

DATE

7/10/17

12123**Matrix:**

OPF 1212 3 CX BX LXX AXX

OPTIMUS FTTH (KIT)

WIDTH

DEPTH

COVER TYPE

COLOR

C1 Light Green

C2 Beige

C3 Dark Green

Ⓞ

BRACKET OPTION

B1 Dual Offset Universal Fiber Tap Brackets (no ground)

B2 Dual Offset Universal Fiber Tap Brackets with Ground Bar

B3 RFOG Pedestal Insert, G4

B4 RFOG Pedestal Insert, G5

B5 Fiber Management Brackets G4 ... (no ground)

B6 Fiber Management Brackets G4 ... with Ground Bar

B7 Fiber Management Brackets G5 ... (no ground)

B8 Fiber Management Brackets G5 ... with Ground Bar

B9 Slack Storage Brackets

LOCKING OPTION

See Lock Option Matrix #3 (Refer to P/N Matrix #1018)

ADDER/OPTION

A08 Cover w/Anti-Insect Vents (Dual Cut)

Ⓞ

APPROVALS: Engineering

Customer Service

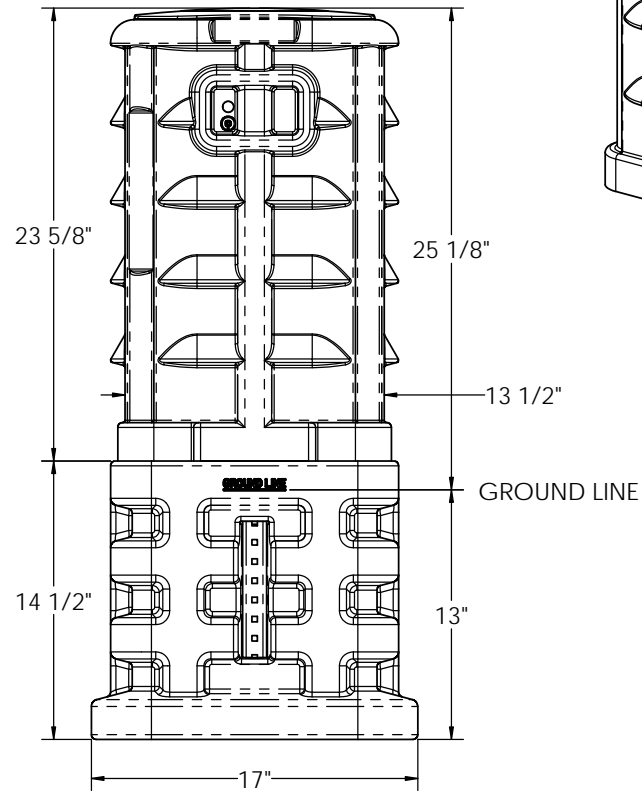
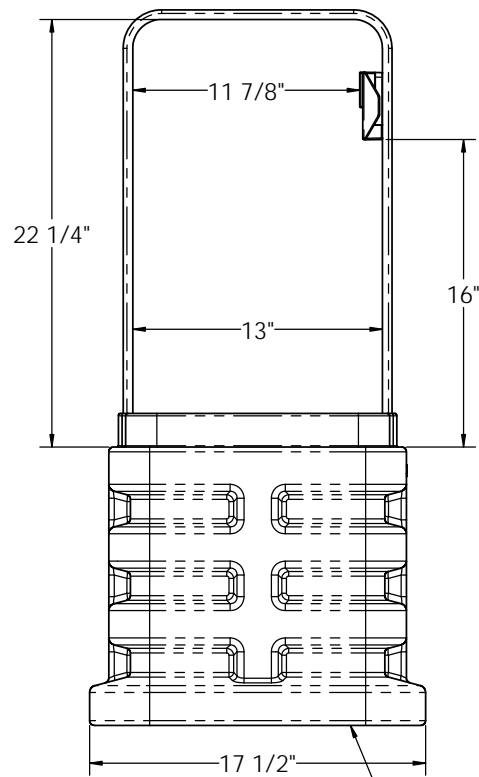
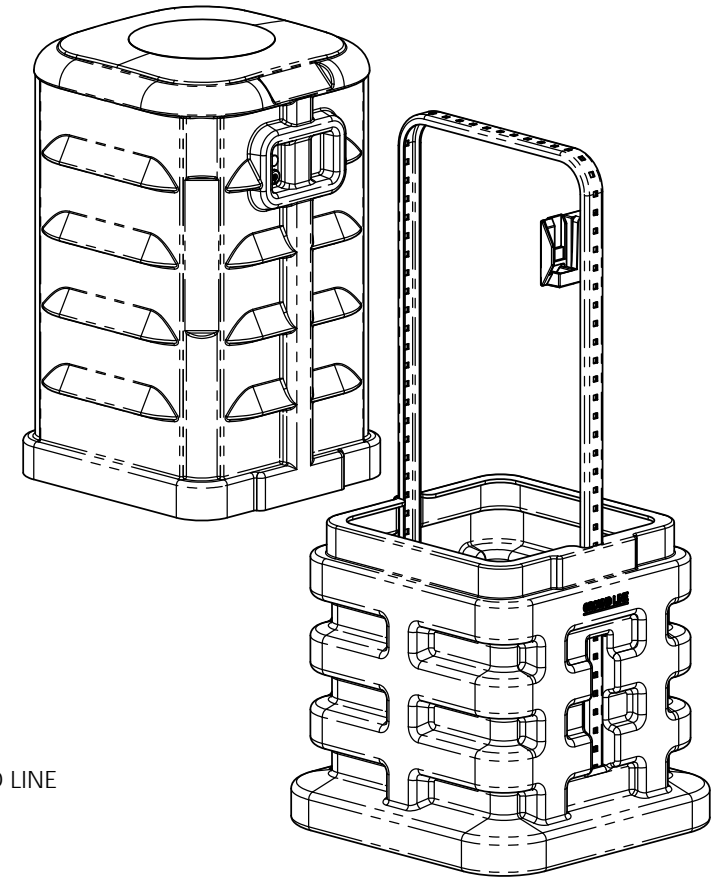
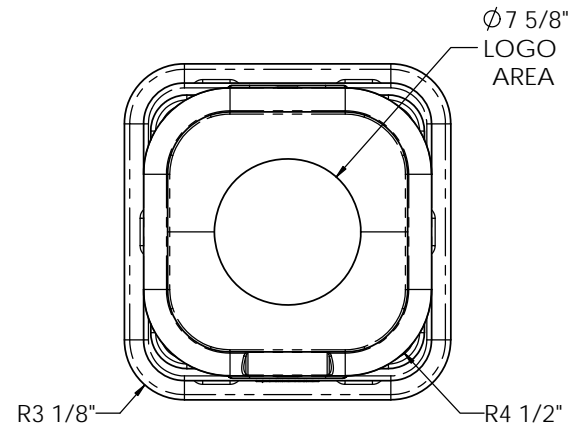
Marketing

Production


DATE:

7/19/17
7/19/17

THE INFORMATION CONTAINED IN THIS DRAWING IS THE SOLE PROPERTY OF CHANNELL COMMERCIAL CORP. ANY REPRODUCTION, IN PART OR WHOLE, WITHOUT THE WRITTEN PERMISSION OF CHANNELL COMMERCIAL CORP. IS PROHIBITED.



BOTTOM OPENING
 $15 \frac{1}{4}" \times 15 \frac{3}{4}"$

 CHANNELL <small>26040 YNEZ ROAD TEMECULA, CALIFORNIA 92590 TELEPHONE (909) 694-9160 FAX (909) 694-9170</small>						
MAT'L.		DATE		TITLE OP 12 12-3		
TOLERANCE		DES.				
DECIMAL	FRAC.	ANGLE	DWN. JMK			09/17
$\pm .03$	$\frac{1}{16}$		CKD.			
		WHT				
SHEET NO.	1	SCALE	1:5	PROJECT NO.	DRW. NO.	
NO. OF SHTS.	1	UNITS:	INCHES		REV. A	