



INDUSTRIAL COMPONENTS TERMINALS, SWITCHES AND FUSE-BASES



Electromechanical
components for
industrial use





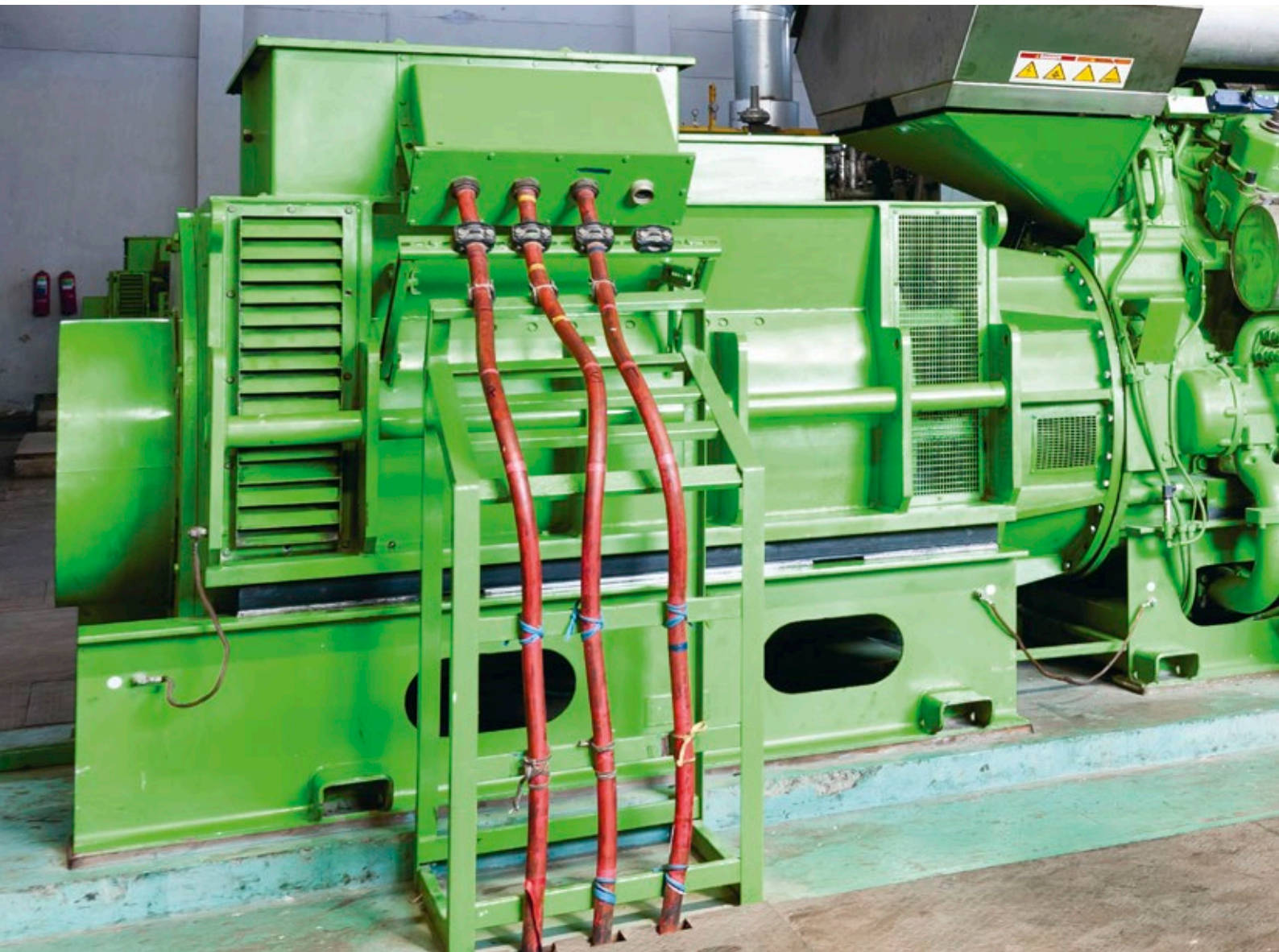
Terminals, switches and fuse-bases

We support your operations with high-quality terminals, load break switches and fuse-bases that are designed and tested for demanding industrial use.

You can rely on our components as they are certified against demanding industry standards to ensure high performance and quality of your operations. We have sound experience of solutions targeted at the OEM industries and panel builders.

Table of Contents

Terminals	4
Load break switches	32
Fuse-bases	38
Dimensional drawings	41
Index	62



Ensto Clampo -terminals

Our Ensto Clampo terminals are specially developed for the needs of the industry. Our offering includes a large range of terminal series, some of which are suitable for both aluminium and copper conductors.

Benefits:

- Connecting aluminium and copper conductors
- Wide application range
- Wide cross-section range



Ensto Clampo Pro

Small item – great significance

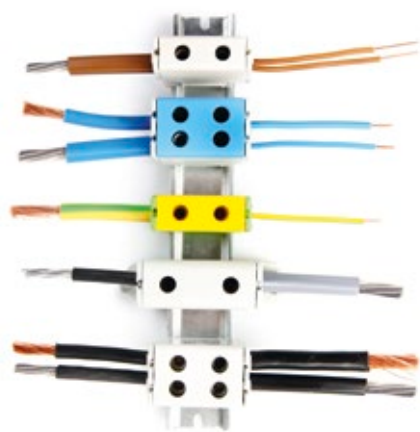
It is of paramount importance that the equipment functions properly. It is vital to have a suitable connection between the devices and the power grid. Most of the connections are made using cables and wires, terminals, or conductor rails at higher currents. The reliability and safety of the device depend on the type and use of the terminals. It is therefore extremely important to use reliable terminals of the highest quality.





FOR ALL INSTALLATION NEEDS

The Ensto Clampo Pro universal terminal series is a versatile solution for all installation needs, ranging from low-voltage switchgear and control gears for industry and construction to building automation.



SAFE CONNECTIONS

The connectors can be used with both aluminum and copper conductors, it makes life easier for designers in both the OEM industry and mechanical engineering.

WIDE CROSS-SECTION RANGE

Ensto Clampo Pro universal terminals are suitable for a wide cross-section range of conductors.



BRANCHING POSSIBILITIES

Several copper conductors of the same size can be installed in the same conductor space.

STURDY AND STRONG

High-quality materials have been used and the terminals are sturdy and strong, so they do not break or twist.

Ensto Clampo Pro universal terminals

For Al/Cu conductors from 1.5 mm² to 300 mm²

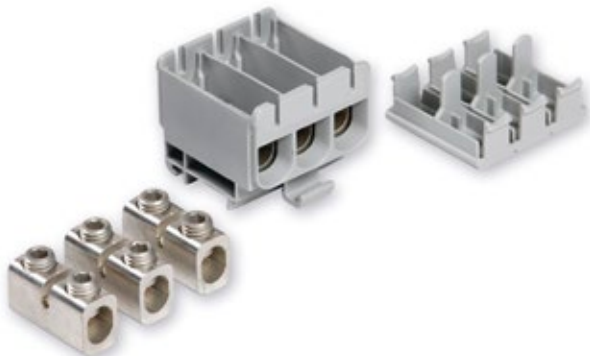


ENSTO CLAMPO PRO UNIVERSAL TERMINALS IN BRIEF:

- Certified according to the latest standards
- UL- recognized (switchboards/equipment suitable for exporting to the US)
- Suitable for both aluminium and copper conductors
- Suitable for transitioning between aluminium and copper conductors without any extra cable clamps
- Suitable for use for the feed-in conductors (short circuit tested)
- Suitable for a wide cross-section range of conductors (a single terminal can be used in a wide range of applications)
- Also suitable for stranded wires without extra bushings
- Several copper conductors can be installed in the same conductor space, see conductor table

TECHNICAL FEATURES:

- Simple and reliable construction made of a monoblock
- Oxidation-inhibiting compound applied at the factory
- Can be fixed directly onto a DIN rail or, with screws, onto a base
- Reliable and strong tightening of connection with hexagonal screws
- Color coding for N and PE terminals



KE61.03 is a three-pole terminal block for three individual circuits.



Tapping terminals consist of a single pole with four connection points (single circuit).

Conformity	
Standards	
For copper conductors:	EN 60947-7-1 EN 60947-7-2
For aluminium conductors:	EN 61238-1 EN IEC 61238-1-1: KE60.x, KE65.x and KE70.x
UL- recognition:	UL 1059 KE60.x, KE65.x and KE70.x: no UL- recognition
Connector class:	A A0: KE60.x, KE65.x och KE70.x
Technical information	
Cross-section range:	Al/Cu 1,5-300 mm ²
Nominal current range:	75 – 1040 A
Operating temperature:	Max. 80 °C
Pollution degree:	3
Material	
Housing:	Polyamide
Body and screws:	Tin-coated aluminium
Mechanical features	
Screw head:	Hexagonal
Mounting:	Screws or DIN rail

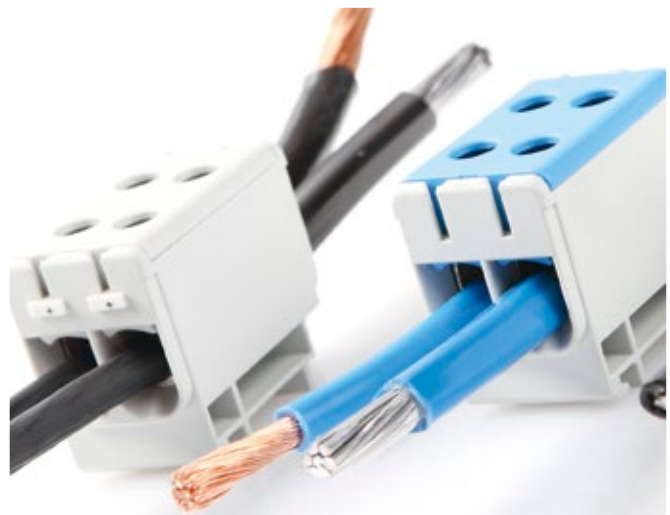
Dimensional drawings, pages 42-43.

Note: The use of ferrules is recommended for installations with flexible conductors* with the following cross-sections (single conductor installation):

KE60, KE65	1.5 – 6 mm ²
KE61, KE66	2.5 – 16 mm ²
KE62, KE67	16 – 35 mm ²
KE63, KE68	35 – 70 mm ²
KE64, KE69	35 – 120 mm ²
KE70	50 – 150 mm ²

When using flexible conductors, the maximum size is one size smaller.

*Class 5, according to IEC 228 Second Edition 1978



Ensto Clampo Pro allows a safe connection between Al/Cu conductors.

Ensto Clampo Pro

For Al/Cu conductors 1,5 – 300 mm²

Product code	Conductor cross-section	Color	Nominal current	Nominal insulation voltage	Screw head hexagon	Bit length min. (mm)	Tightening torque	Mounting	Dimensions W x L x H (mm)	Weight (kg)	Package size (pcs)	GTIN-13
Ensto Clampo Pro, one-pole terminal blocks												
NEW KE60	Al/Cu 1.5–16 mm ²	Grey	Cu 82 A, Al 75 A	800 V	4 mm	19	6 Nm	DIN rail	13,3 x 46 x 40,5	0.024	30	6438100432249
KE60.2	Al/Cu 1.5–16 mm ²	Blue	Cu 82 A, Al 75 A	800 V	4 mm	19	6 Nm	DIN rail	13,3 x 46 x 40,5	0.024	30	6438100500900
KE60.3	Al/Cu 1.5–16 mm ²	Yellow-Green		800 V	4 mm	19	6 Nm	DIN rail	13,3 x 46 x 40,5	0.024	30	6438100500917
KE61	Cu 2,5–50 mm ² Al 6–50 mm ²	Grey	Cu 160 A, Al 145 A	800 V	5 mm	20	4 Nm (2,5–4mm ²), 12 Nm (6–50mm ²)	DIN rail	17,8 x 49 x 43	0.030	30	6418677191817
KE61.2	Cu 2,5–50 mm ² Al 6–50 mm ²	Blue	Cu 160 A, Al 145 A	800 V	5 mm	20	4 Nm (2,5–4mm ²), 12 Nm (6–50mm ²)	DIN rail	17,8 x 49 x 43	0.030	30	6418677191831
KE61.3	Cu 2,5–50 mm ² Al 6–50 mm ²	Yellow-Green		800 V	5 mm	20	4 Nm (2,5–4mm ²), 12 Nm (6–50mm ²)	DIN rail	17,8 x 49 x 43	0.030	30	6418677191848
KE62	Al/Cu 16–95 mm ²	Grey	Cu 245 A, Al 220 A	800 V	5 mm	25	20 Nm	DIN rail/ screw	24 x 86 x 49	0.074	30	6418677191855
KE62.2	Al/Cu 16–95 mm ²	Blue	Cu 245 A, Al 220 A	800 V	5 mm	25	20 Nm	DIN rail/ screw	24 x 86 x 49	0.074	30	6418677191862
KE62.3	Al/Cu 16–95 mm ²	Yellow-Green		800 V	5 mm	25	20 Nm	DIN rail/ screw	24 x 86 x 49	0.074	30	6418677191879
KE63	Al/Cu 35–150 mm ²	Grey	Cu 320 A, Al 290 A	800 V	8 mm	34	20 Nm (35–95mm ²), 30 Nm (120–150mm ²)	DIN rail/ screw	29,5 x 95 x 59	0.120	30	6418677191886
KE63.2	Al/Cu 35–150 mm ²	Blue	Cu 320 A, Al 290 A	800 V	8 mm	34	20 Nm (35–95mm ²), 30 Nm (120–150mm ²)	DIN rail/ screw	29,5 x 95 x 59	0.120	30	6418677191893
KE63.3	Al/Cu 35–150 mm ²	Yellow-Green		800 V	8 mm	34	20 Nm (35–95mm ²), 30 Nm (120–150mm ²)	DIN rail/ screw	29,5 x 95 x 59	0.120	30	6418677191909
KE64	Al/Cu 35–240 mm ²	Grey	Cu 425 A, Al 380 A	800 V	8 mm	38	12 Nm (35–70mm ²), 45 Nm (95–240mm ²)	Screw	37,5 x 130 x 67	0.249	30	6418677191916
KE64.2	Al/Cu 35–240 mm ²	Blue	Cu 425 A, Al 380 A	800 V	8 mm	38	12 Nm (35–70mm ²), 45 Nm (95–240mm ²)	Screw	37,5 x 130 x 67	0.249	30	6418677191923
KE64.3	Al/Cu 35–240 mm ²	Yellow-Green		800 V	8 mm	38	12 Nm (35–70mm ²), 45 Nm (95–240mm ²)	Screw	37,5 x 130 x 67	0.249	30	6418677191930
Ensto Clampo Pro, three-pole terminal block												
KE61.03	Cu 2,5–50 mm ² Al 6–50 mm ²	Grey	Cu 160 A, Al 145 A	800 V	5 mm	20	4 Nm (2,5–4mm ²), 12 Nm (6–50mm ²)	Screw	49,5 x 49 x 43	0.077	30	6418677191824
KE62.03	Al/Cu 16–95 mm ²	Grey	Cu 245 A, Al 220 A	800 V	5 mm	25	20 Nm	DIN rail/ screw	69 x 86 x 49	0.222	30	6438100347451
KE63.03	Al/Cu 35–150 mm ²	Grey	Cu 320 A, Al 290 A	800 V	8 mm	34	20 Nm (35–95mm ²), 30 Nm (120–150mm ²)	DIN rail/ screw	85 x 96 x 59	0.3	30	6438100347468

The nominal currents in the table are for maximum cross-sections.



KE60



KE61.2



KE62



KE63.2



KE64.3



KE61.03



KE63.03

Ensto Clampo Pro

For Al/Cu conductors 1,5 – 300 mm²

Product code	Conductor cross-section	Color	Nominal current	Nominal insulation voltage	Screw head hexagon	Bit length min. (mm)	Tightening torque	Mounting	Dimensions W x L x H (mm)	Weight (kg)	Package size (pcs)	GTIN-13
Ensto Clampo Pro, tapping blocks, single pole, four connections												
NEW KE65	Al/Cu 1.5-16 mm ²	Grey	Cu 164 A, Al 150 A	800 V	4 mm	19	6 Nm	DIN rail	22,3 x 46 x 40,5	0.042	30	6438100432256
KE65.2	Al/Cu 1.5-16 mm ²	Blue	Cu 164 A, Al 150 A	800 V	4 mm	19	6 Nm	DIN rail	22,3 x 46 x 40,5	0.042	30	6438100501532
KE65.3	Al/Cu 1.5-16 mm ²	Yellow-Green		800 V	4 mm	19	6 Nm	DIN rail	22,3 x 46 x 40,5	0.042	30	6438100501549
KE66	Cu 2,5-50 mm ² , Al 6-50 mm ²	Grey	Cu 160 A, Al 145 A	800 V	5 mm	20	4 Nm (2,5-4mm ²), 12 Nm (6-50mm ²)	DIN rail	29,8 x 49 x 43	0.049	30	6418677191947
KE66.2	Cu 2,5-50 mm ² , Al 6-50 mm ²	Blue	Cu 160 A, Al 145 A	800 V	5 mm	20	4 Nm (2,5-4mm ²), 12 Nm (6-50mm ²)	DIN rail	29,8 x 49 x 43	0.049	30	6418677191954
KE66.3	Cu 2,5-50 mm ² , Al 6-50 mm ²	Yellow-Green		800 V	5 mm	20	4 Nm (2,5-4mm ²), 12 Nm (6-50mm ²)	DIN rail	29,8 x 49 x 43	0.049	30	6418677191961
KE67	Al/Cu 16-95 mm ²	Grey	Cu 245 A, Al 220 A	800 V	5 mm	25	20 Nm	DIN rail/screw	42 x 86 x 49	0.128	30	6418677191978
KE67.2	Al/Cu 16-95 mm ²	Blue	Cu 245 A, Al 220 A	800 V	5 mm	25	20 Nm	DIN rail/screw	42 x 86 x 49	0.128	30	6418677191985
KE67.3	Al/Cu 16-95 mm ²	Yellow-Green		800 V	5 mm	25	20 Nm	DIN rail/screw	42 x 86 x 49	0.128	30	6418677191992
KE68	Al/Cu 35-150 mm ²	Grey	Cu 320 A, Al 290 A	800 V	8 mm	34	20 Nm (35-95mm ²), 30 Nm (120-150mm ²)	DIN rail/screw	51,5 x 95 x 59	0.210	30	6418677192005
KE68.2	Al/Cu 35-150 mm ²	Blue	Cu 320 A, Al 290 A	800 V	8 mm	34	20 Nm (35-95mm ²), 30 Nm (120-150mm ²)	DIN rail/screw	51,5 x 95 x 59	0.210	30	6418677192012
KE68.3	Al/Cu 35-150 mm ²	Yellow-Green		800 V	8 mm	34	20 Nm (35-95mm ²), 30 Nm (120-150mm ²)	DIN rail/screw	51,5 x 95 x 59	0.210	30	6418677192029
KE69	Al/Cu 35-240 mm ²	Grey	Cu 425 A, Al 380 A	800 V	8 mm	38	12 Nm (35-70mm ²), 45 Nm (95-240mm ²)	Screw	64 x 130 x 67	0.438	30	6418677192036
KE69.2	Al/Cu 35-240 mm ²	Blue	Cu 425 A, Al 380 A	800 V	8 mm	38	12 Nm (35-70mm ²), 45 Nm (95-240mm ²)	Screw	64 x 130 x 67	0.438	30	6418677192043
KE69.3	Al/Cu 35-240 mm ²	Yellow-Green		800 V	8 mm	38	12 Nm (35-70mm ²), 45 Nm (95-240mm ²)	Screw	64 x 130 x 67	0.438	30	6418677192050
NEW KE70	Al/Cu 50-300 mm ²	Grey	Cu 1040 A, Al 800 A	1000 V	8 mm	38	35 Nm (50-150mm ²), 45 Nm (185-300mm ²)	DIN rail/screw	78,1 x 130 x 81	0.716	30	6438100432263
KE70.2	Al/Cu 50-300 mm ²	Blue	Cu 1040 A, Al 800 A	1000 V	8 mm	38	35 Nm (50-150mm ²), 45 Nm (185-300mm ²)	DIN rail/screw	78,1 x 130 x 81	0.716	30	6438100508326
KE70.3	Al/Cu 50-300 mm ²	Yellow-Green		1000 V	8 mm	38	35 Nm (50-150mm ²), 45 Nm (185-300mm ²)	DIN rail/screw	78,1 x 130 x 81	0.716	30	6438100508333

The nominal currents in the table are for maximum cross-sections.



KE65



KE66



KE67.2



KE68.2



KE69.3



KE70

Ensto Clampo terminal sets

Packed in convenient retail packages.



KE61SET includes Ensto Clampo Pro universal terminals.

Cross-section (mm ²)	Product code	GTIN-13	Description
Cu 2.5 - 50, Al 6 - 50	KE61SET	6418677191800	Mounting kit, KE61.03 + KE61.2 + KE61.3
	KE61T	6418677192326	Universal terminal, grey, bag of 3 pcs
	KE61.03T	6418677192357	Universal terminal, grey, 3-pole, bag of 2 pcs
	KE61.2T	6418677192333	Universal terminal, blue, bag of 3 pcs
	KE61.3T	6418677192340	Universal terminal, yellow-green, bag of 3 pcs
Al/Cu 16 - 95	KE62SET	6418677192432	Mounting kit, 3 x KE62 + KE62.2 + KE62.3
	KE62T	6418677192364	Universal terminal, grey, bag of 3 pcs
	KE62.2T	6418677192371	Universal terminal, blue, bag of 3 pcs
	KE62.3T	6418677192388	Universal terminal, yellow-green, bag of 3 pcs
Cu 2.5 - 50, Al 6 - 50	KE66T	6418677192395	Tapping block, grey, bag of 3 pcs
	KE66.2T	6418677192401	Tapping block, blue, bag of 3 pcs
	KE66.3T	6418677192418	Tapping block, yellow-green, bag of 3 pcs

Accessories



The terminal shroud is L-shaped, thus protecting both the conductor space and the hole for the tightening tool.

Product code	Description	Weight (kg)	Package size (pcs)	GTIN-13
Terminal shrouds				
KEL60	Terminal shroud for KE60	0.0008	100	6438100508340
KEL61	Terminal shroud for KE61, KE66	0.001	100	6438100020064
KEL62	Terminal shroud for KE62, KE67	0.002	100	6438100020071
KEL63	Terminal shroud for KE63, KE68	0.003	100	6438100020088
KEL64	Terminal shroud for KE64, KE69	0.004	100	6438100020095
Other accessories				
PP37	DIN rail, 35 mm, steel, length 2 m	0.622	10	6418677161896

UL recognitions

KE60.x, KE65.x and KE70.x: no UL-recognition

Product code	Wire type	AWG* 1 wire/ terminal	AWG* 2 Cu-wires/ terminal	AWG* 3 Cu-wires/ terminal	Maximum voltage	Maximum current	Tightening torque	Allen-hex socket head terminal screw	Dimensions (W x L x H)
One-pole universal terminals									
KE61.x	Cu	1/0 - 6	6	8	600 V	150 A	90 lb·in	5 mm	0.7 x 1.9 x 1.7 In (17.8 x 49 x 43 mm)
	Al	1/0 - 6			600 V	120 A	(10 Nm)		
KE62.x	Cu	4/0 - 4	2 - 6	6	600 V	230 A	126 lb·in	5 mm	0.9 x 3.4 x 1.9 In (24 x 86 x 49 mm)
	Al	4/0 - 4			600 V	180 A	(14 Nm)		
KE63.x	Cu	300 - 2	1/0 - 2	2	600 V	285 A	216 lb·in	8 mm	1.2 x 3.7 x 2.3 In (29.5 x 95 x 59 mm)
	Al	300 - 2			600 V	230 A	(24 Nm)		
KE64.x	Cu	500 - 3/0	2/0 - 2	1/0 - 2	600 V	380 A	360 lb·in	8 mm	1.5 x 5.1 x 2.6 In (37.5 x 130 x 67 mm)
	Al	500 - 3/0			600 V	310 A	(40 Nm)		
Three-pole universal terminal									
KE61.03	Cu	1/0 - 6	6	8	600 V	150 A	90 lb·in	5 mm	1.9 x 1.9 x 1.7 In (49.5 x 49 x 43 mm)
	Al	1/0 - 6			600 V	120 A	(10 Nm)		
KE62.03	Cu	4/0 - 4	2 - 6	6	600 V	230 A	126 lb·in	5 mm	2.7 x 3.4 x 1.9 In (69 x 86 x 49 mm)
	Al	4/0 - 4			600 V	180 A	(14 Nm)		
KE63.03	Cu	300 - 2	1/0 - 2	2	600 V	285 A	216 lb·in	8 mm	3.3 x 3.7 x 2.3 In (85 x 96 x 59 mm)
	Al	300 - 2			600 V	230 A	(24 Nm)		
Tapping blocks									
KE66.x	Cu	1/0 - 6	6	8	600 V	150 A	90 lb·in	5 mm	1.2 x 1.9 x 1.7 In (29.8 x 49 x 43 mm)
	Al	1/0 - 6			600 V	120 A	(10 Nm)		
KE67.x	Cu	4/0 - 4	2 - 6	6	600 V	230 A	126 lb·in	5 mm	1.7 x 3.4 x 1.9 In (42 x 86 x 49 mm)
	Al	4/0 - 4			600 V	180 A	(14 Nm)		
KE68.x	Cu	300 - 2	1/0 - 2	2	600 V	285 A	216 lb·in	8 mm	2.0 x 3.7 x 2.3 In (51.5 x 95 x 59 mm)
	Al	300 - 2			600 V	230 A	(24 Nm)		
KE69.x	Cu	500 - 3/0	2/0 - 2	1/0 - 2	600 V	380 A	360 lb·in	8 mm	2.5 x 5.1 x 2.6 In (64 x 130 x 67 mm)
	Al	500 - 3/0			600 V	310 A	(40 Nm)		

Standard UL 1059, UL category XCFR2, file No. E192532.

* AWG = American Wire Gauge

Insulating material polyamide, flammability rating V-2 (UL94).

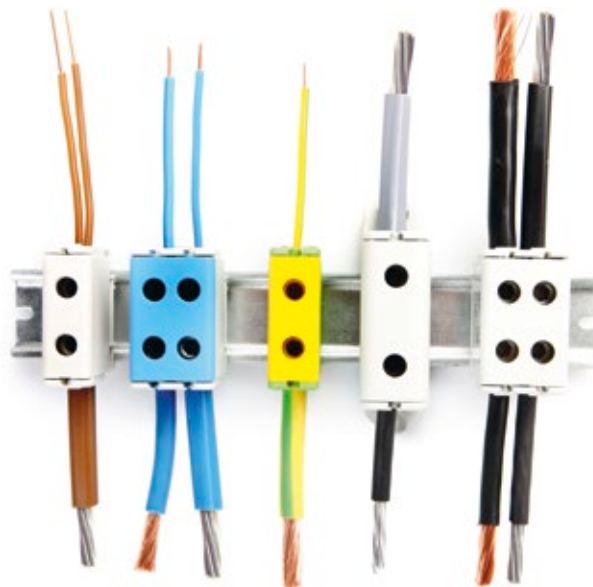
All terminal blocks are delivered with oxide inhibiting compound applied.

Conductor table

CONDUCTORS THAT CAN BE USED WITH THE TERMINALS: NUMBER, CROSS-SECTION AND TYPE.

- Nominal cross-sections are in **bold type**.
- Often the requirements of a specific apparatus restrict the number of conductors.
- The nominal current of the terminal must not be exceeded.
- In general, the conductors connected to one conductor space of a connector must be of the same type.
- Table values require careful installation.
- After installation, check that all conductors are pressed into a connection.
- We recommend a ferrule when using a fine stranded conductor.
- Each incoming and outgoing protection conductor in a panel must have its own separate terminal.
- The conductor numbers below refer only to industrially-installed terminals (internal connections in a panel), (SGS Fimko).

Product code	Wire type	Cross-sections of conductors (mm ²) and number of conductors/space. The conductor numbers below refer only to industrially-installed terminals.													Nominal current (A)	Nominal insulation voltage (V)	Tightening torque (Nm)		
		1.5	2.5	4	6	10	16	25	35	50	70	95	120	150				185	240
Ensto Clampo Pro universal terminals																			
KE60	Al	1	1	1	1	1	1										75	800	6
	Cu	3	3	3	2	1	1										82		
KE61	Al				1	1	1	1	1	1							145	800	4 (2,5–4 mm ²)
	Cu		3	3	3	3	2	1	1	1							160		12 (6–50 mm ²)
KE62	Al					1	1	1	1	1	1						220	800	20
	Cu					3	2	2	1	1	1						245		
KE63	Al						1	1	1	1	1	1	1				290	800	20 (35–95 mm ²)
	Cu						3	2	1	1	1	1	1				320		30 (120–150 mm ²)
KE64	Al							1	1	1	1	1	1	1	1		380	800	12 (35–70 mm ²)
	Cu							3	3	2	1	1	1	1	1		425		45 (95–240 mm ²)
KE65	Al	1	1	1	1	1	1										150	800	6
	Cu	3	3	3	2	1	1										164		
KE66	Al				1	1	1	1	1	1							145	800	4 (2,5–4 mm ²)
	Cu		3	3	3	3	2	1	1	1							160		12 (6–50 mm ²)
KE67	Al					1	1	1	1	1	1						220	800	20
	Cu					3	2	2	1	1	1						245		
KE68	Al						1	1	1	1	1	1	1				290	800	20 (35–95 mm ²)
	Cu						3	3	2	1	1	1	1				320		30 (120–150 mm ²)
KE69	Al							1	1	1	1	1	1	1	1		380	800	12 (35–70 mm ²)
	Cu							3	3	2	1	1	1	1	1		425		45 (95–240 mm ²)
KE70	Al								1	1	1	1	1	1	1		800	1000	35 (50–150 mm ²)
	Cu								3	3	3	2	1	1	1		1040		45 (185–300 mm ²)



Ensto Clampo Pro terminals are suitable for both aluminum and copper conductors. Several copper conductors may be installed in the same conductor housing, in accordance with the table above.

Ensto Clampo Pro 1000 V terminals

For Al/Cu conductors from 2.5 mm² to 240 mm²



ENSTO CLAMPO PRO 1000 V TERMINALS IN BRIEF

- Suitable for 1000 VAC and VDC
- Compact size
 - Can be installed next to each other without partition plates
- Suitable for both aluminium and copper conductors
- Short circuit tested class A terminals
- Higher temperature range (90 °C)
- UL- recognized (switchboards/equipment suitable for exporting to the US)

TECHNICAL FEATURES

- Housing: fiberglass reinforced polyamide
 - Better mechanical strength vs. polyamide
 - Better insulating capacity
 - 90°C temperature range achieved for the material
- Colors:
 - Red and black versions for DC applications
 - Grey and blue for AC applications (KE6x.3 to be used as a grounding terminal)

Conformity	
Standards	
For copper conductors:	EN 60947-7-1
For aluminium conductors:	EN 61238-1
UL recognition	UL 1059
Connector class:	A
Technical information	
Cross-section range:	Al 6 – 240 mm ² Cu 2.5 – 240 mm ²
Nominal current range:	145 – 425 A
Ambient temperature:	90 °C
Operating temperature:	125 °C
Pollution degree:	3
Material	
Housing:	Fiberglass reinforced polyamide
Body and screws:	Tin-coated aluminium
Mechanical features	
Screw heads:	Hexagonal
Mounting:	Screws or DIN rail

Dimensional drawings, page 44.

Note: The use of ferrules is recommended for installations with flexible conductors* with the following cross-sections (single conductor installation):

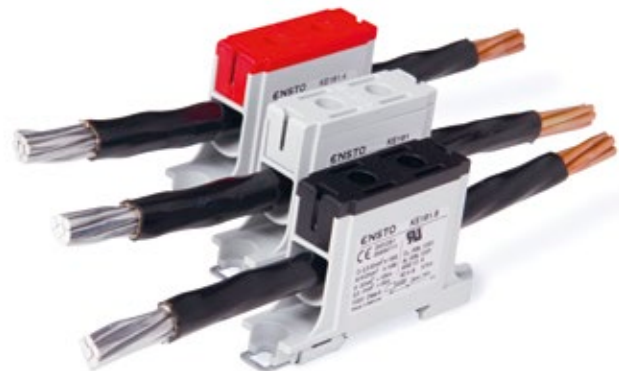
KE161	2,5 – 16 mm ²
KE162	16 – 35 mm ²
KE163	35 – 70 mm ²
KE164	35 – 120 mm ²

When using flexible conductors, the maximum size is one size smaller.
*Class 5, according to IEC 228 Second Edition 1978

240 mm² size
now available!



NEW



1000 V terminals are well suited for applications where higher supply voltages are used, such as in drivers, railway systems and ships. They are also suitable for DC applications, making them a perfect choice for photovoltaic connections.

Ensto Clampo Pro 1000 V, one-pole terminal blocks

Product code	Conductor cross-section	Color	Nominal current	Nominal insulation voltage	Screw head hexagon	Bit length min.	Tightening torque	Mounting	Dimensions W x L x H (mm)	Weight (kg)	Package size (pcs)	GTIN-13
KE161	Cu 2,5–50 mm ² Al 6–50 mm ²	Grey	Cu 160 A, Al 145 A	1000 V	5 mm	20	4 Nm (2.5–4mm ²), 12 Nm (6–50mm ²)	DIN rail/ screw	19,2 x 82,5 x 48,5	0,045	30	6438100181758
KE161.2	Cu 2,5–50 mm ² Al 6–50 mm ²	Blue	Cu 160 A, Al 145 A	1000 V	5 mm	20	4 Nm (2.5–4mm ²), 12 Nm (6–50mm ²)	DIN rail/ screw	19,2 x 82,5 x 48,5	0,045	30	6438100181765
KE161.4	Cu 2,5–50 mm ² Al 6–50 mm ²	Red	Cu 160 A, Al 145 A	1000 V	5 mm	20	4 Nm (2.5–4mm ²), 12 Nm (6–50mm ²)	DIN rail/ screw	19,2 x 82,5 x 48,5	0,045	30	6438100181772
KE161.6	Cu 2,5–50 mm ² Al 6–50 mm ²	Black	Cu 160 A, Al 145 A	1000 V	5 mm	20	4 Nm (2.5–4mm ²), 12 Nm (6–50mm ²)	DIN rail/ screw	19,2 x 82,5 x 48,5	0,045	30	6438100181789
KE162	Al/Cu 16–95 mm ²	Grey	Cu 245 A, Al 220 A	1000 V	5 mm	25	20 Nm	DIN rail/ screw	25 x 93,5 x 55,5	0,091	30	6438100160616
KE162.2	Al/Cu 16–95 mm ²	Blue	Cu 245 A, Al 220 A	1000 V	5 mm	25	20 Nm	DIN rail/ screw	25 x 93,5 x 55,5	0,091	30	6438100160623
KE162.4	Al/Cu 16–95 mm ²	Red	Cu 245 A, Al 220 A	1000 V	5 mm	25	20 Nm	DIN rail/ screw	25 x 93,5 x 55,5	0,091	30	6438100160647
KE162.6	Al/Cu 16–95 mm ²	Black	Cu 245 A, Al 220 A	1000 V	5 mm	25	20 Nm	DIN rail/ screw	25 x 93,5 x 55,5	0,091	30	6438100160654
KE163	Al/Cu 35–150 mm ²	Grey	Cu 320 A, Al 290 A	1000 V	8 mm	34	20 Nm (35–95mm ²), 30 Nm (120–150mm ²)	DIN rail/ screw	30,4 x 108 x 64,5	0,143	30	6438100181796
KE163.2	Al/Cu 35–150 mm ²	Blue	Cu 320 A, Al 290 A	1000 V	8 mm	34	20 Nm (35–95mm ²), 30 Nm (120–150mm ²)	DIN rail/ screw	30,4 x 108 x 64,5	0,143	30	6438100181802
KE163.4	Al/Cu 35–150 mm ²	Red	Cu 320 A, Al 290 A	1000 V	8 mm	34	20 Nm (35–95mm ²), 30 Nm (120–150mm ²)	DIN rail/ screw	30,4 x 108 x 64,5	0,143	30	6438100181819
KE163.6	Al/Cu 35–150 mm ²	Black	Cu 320 A, Al 290 A	1000 V	8 mm	34	20 Nm (35–95mm ²), 30 Nm (120–150mm ²)	DIN rail/ screw	30,4 x 108 x 64,5	0,143	30	6438100181826
KE164	Al/Cu 35–240 mm ²	Grey	Cu 425 A, Al 380 A	1000 V	8 mm	38	12 Nm (35–70mm ²), 45 Nm (95–240mm ²)	DIN rail/ screw	37,5x130x70	0,265	30	6438100351083
KE164.2	Al/Cu 35–240 mm ²	Blue	Cu 425 A, Al 380 A	1000 V	8 mm	38	12 Nm (35–70mm ²), 45 Nm (95–240mm ²)	DIN rail/ screw	37,5x130x70	0,265	30	6438100357641
KE164.4	Al/Cu 35–240 mm ²	Red	Cu 425 A, Al 380 A	1000 V	8 mm	38	12 Nm (35–70mm ²), 45 Nm (95–240mm ²)	DIN rail/ screw	37,5x130x70	0,265	30	6438100357658
KE164.6	Al/Cu 35–240 mm ²	Black	Cu 425 A, Al 380 A	1000 V	8 mm	38	12 Nm (35–70mm ²), 45 Nm (95–240mm ²)	DIN rail/ screw	37,5x130x70	0,265	30	6438100357665

NEW



KE161.6



KE162.4



KE163.2



KE164

Terminal shrouds



NEW

Product code	Description	Weight (kg)	Package size (pcs)	GTIN-13
KEL161	Terminal shroud for KE161	0.00124	100	6438100357672
KEL162	Terminal shroud for KE162	0.00195	100	6438100357689
KEL163	Terminal shroud for KE163	0.00297	100	6438100357696
KEL164	Terminal shroud for KE164	0.00394	100	6438100357702

UL recognitions

Product code	Wire type	AWG* 1 wire/ terminal	AWG* 2 Cu-wires/ terminal	AWG* 3 Cu- wires/ terminal	Max insulation voltage	Max current	Tightening torque	Allen-hex socket head terminal screw	Dimensions (W x H x D)
KE161.x	Cu	1/0 – 6	6	8	1000 V	150 A	90 lb-in	5 mm	0.76 x 3.25 x 1.91 In
	Al	1/0 – 6			1000 V	120 A	(10 Nm)		(19.2 x 82.5 x 48.5 mm)
KE162.x	Cu	4/0 – 4	2 – 6	6	1000 V	230 A	126 lb-in	5 mm	0.98 x 3.68 x 2.19 In
	Al	4/0 – 4			1000 V	180 A	(14 Nm)		(25 x 93.5 x 55.5 mm)
KE163.x	Cu	300 – 2	1/0 – 2	2	1000 V	285 A	216 lb-in	8 mm	1.20 x 4.25 x 2.54 In
	Al	300 – 2			1000 V	230 A	(24 Nm)		(30.4 x 108 x 64.5 mm)
KE164.x	Cu	500 – 3/0	2/0 – 2	1/0 – 2	1000 V	380 A	360 lb-in	8 mm	1.5 x 5.1 x 2.76 In
	Al	500 – 3/0			1000 V	310 A	(40 Nm)		(37.5 x 130 x 70 mm)

Standard UL 1059, UL category XCFR2, file # E 192532.

* AWG = American Wire Gauge

All terminal blocks are delivered with oxide-inhibiting compound applied.

CONDUCTORS THAT CAN BE USED WITH THE TERMINALS: NUMBER, CROSS-SECTION AND TYPE.

- Nominal cross-sections are in **bold type**.
- Often the requirements of a specific apparatus restrict the number of conductors.
- The nominal current of the terminal must not be exceeded.
- In general, the conductors connected to one conductor space of a connector must be of the same type.
- Table values require careful installation.
- After installation, check that all conductors are pressed into a connection.
- We recommend a ferrule when using a fine stranded conductor.
- Each incoming and outgoing protection conductor in a panel must have its own separate terminal.
- The conductor numbers below refer only to industrially-installed terminals (internal connections in a panel), (SGS Fimko).

Product code	Wire type	Cross-sections of conductors (mm ²) and number of conductors/space. The conductor numbers below refer only to industrially-installed terminals.													Nominal current (A)	Nominal insulation voltage (V)	Tightening torque (Nm)		
		1.5	2.5	4	6	10	16	25	35	50	70	95	120	150				185	240
KE161.x	Al				1	1	1	1	1	1							145	1000	4 Nm (2,5–4 mm ²)
	Cu		3	3	3	3	2	1	1	1							160		12 Nm (6–50 mm ²)
KE162.x	Al						1	1	1	1	1	1				220	1000	20	
	Cu					3	2	2	1	1	1					245			
KE163.x	Al							1	1	1	1	1	1			290	1000	20 Nm (35–95 mm ²)	
	Cu							3	2	1	1	1	1			320		30 Nm (120–150 mm ²)	
KE164.x	Al							1	1	1	1	1	1	1		380	1000	12 (35–70 mm ²)	
	Cu							3	3	2	1	1	1	1		425		45 (95–240 mm ²)	



Ensto Clampo Pro 1000 V tapping blocks

For Al/Cu conductors from 2.5 mm² to 240 mm²

ENSTO CLAMPO PRO 1000 V -TAPPING BLOCKS IN BRIEF

- Suitable for 1000 V AC/DC IEC (UL 600 V)
- Compact size
 - Can be installed next to each other without partition plates
- Suitable for both aluminium and copper conductors
- Short circuit tested class A terminals
- UL- recognized (switchboards/equipment suitable for exporting to the US)

TECHNICAL FEATURES:

- Simple and reliable construction made of a monoblock
- Oxidation-inhibiting compound applied at the factory
- Can be fixed directly onto a DIN rail or, with screws, onto a base
- Reliable and strong tightening of connection with hexagonal
- Colours:
 - Red and black versions for DC applications
 - Grey for AC applications (KE6x.3 to be used as a grounding terminal)



Conformity



Standards

For copper conductors:	EN 60947-7-1
For aluminium conductors:	EN 61238-1
UL recognition	UL 1059
Connector class:	A

Technical information

Cross-section range:	Al 6 – 240 mm ² Cu 2,5 – 240 mm ²
Nominal current range:	145 – 425 A
Operating temperature:	max. 80 °C
Pollution degree:	3

Material

Housing:	Polyamide
Body and screws:	Tin-coated aluminium

Mechanical features

Screw heads:	Hexagonal
Mounting:	Screws or DIN rail

Dimensional drawings, page 43.

Note: The use of ferrules is recommended for installations with flexible conductors* with the following cross-sections (single conductor installation):

KE266	2.5 – 16 mm ²
KE267	16 – 35 mm ²
KE268	35 – 70 mm ²
KE269	35 – 120 mm ²

When using flexible conductors, the maximum size is one size smaller.

*Class 5, according to IEC 228 Second Edition 1978



New 1000 V tapping blocks are especially designed for direct current applications.

Ensto Clampo Pro

Product code	Conductor cross-section	Color	Nominal current	Nominal insulation voltage	Screw head hexagon	Bit length min.	Tightening torque	Mounting	Dimensions W x L x H (mm)	Weight (kg)	Package size (pcs)	GTIN-13
KE266	Cu 2,5-50 mm ² Al 6-50 mm ²	Grey	Cu 160 A, Al 145 A	1000 V	5 mm	20	4 Nm (2,5-4mm ²), 12 Nm (6-50mm ²)	DIN-kisko	29,8 x 49 x 43	0,049	30	
KE266.4	Cu 2,5-50 mm ² Al 6-50 mm ²	Red	Cu 160 A, Al 145 A	1000 V	5 mm	20	4 Nm (2,5-4mm ²), 12 Nm (6-50mm ²)	DIN-kisko	29,8 x 49 x 43	0,049	30	
KE266.6	Cu 2,5-50 mm ² Al 6-50 mm ²	Black	Cu 160 A, Al 145 A	1000 V	5 mm	20	4 Nm (2,5-4mm ²), 12 Nm (6-50mm ²)	DIN-kisko	29,8 x 49 x 43	0,049	30	
KE267	Al/Cu 16-95 mm ²	Grey	Cu 245 A, Al 220 A	1000 V	5 mm	25	20 Nm	DIN-kisko/ ruuvi	42 x 86 x 49	0,128	30	
KE267.4	Al/Cu 16-95 mm ²	Red	Cu 245 A, Al 220 A	1000 V	5 mm	25	20 Nm	DIN-kisko/ ruuvi	42 x 86 x 49	0,128	30	
KE267.6	Al/Cu 16-95 mm ²	Black	Cu 245 A, Al 220 A	1000 V	5 mm	25	20 Nm	DIN-kisko/ ruuvi	42 x 86 x 49	0,128	30	
KE268	Al/Cu 35-150 mm ²	Grey	Cu 320 A, Al 290 A	1000 V	8 mm	34	20 Nm (35-95mm ²), 30 Nm (120-150mm ²)	DIN-kisko/ ruuvi	51,5 x 95 x 59	0,210	30	
KE268.4	Al/Cu 35-150 mm ²	Red	Cu 320 A, Al 290 A	1000 V	8 mm	34	20 Nm (35-95mm ²), 30 Nm (120-150mm ²)	DIN-kisko/ ruuvi	51,5 x 95 x 59	0,210	30	
KE268.6	Al/Cu 35-150 mm ²	Black	Cu 320 A, Al 290 A	1000 V	8 mm	34	20 Nm (35-95mm ²), 30 Nm (120-150mm ²)	DIN-kisko/ ruuvi	51,5 x 95 x 59	0,210	30	
KE269	Al/Cu 35-240 mm ²	Grey	Cu 425 A, Al 380 A	1000 V	8 mm	38	12 Nm (35-70mm ²), 45 Nm (95-240mm ²)	Ruuvi	64 x 130 x 67	0,438	30	
KE269.4	Al/Cu 35-240 mm ²	Red	Cu 425 A, Al 380 A	1000 V	8 mm	38	12 Nm (35-70mm ²), 45 Nm (95-240mm ²)	Ruuvi	64 x 130 x 67	0,438	30	
KE269.6	Al/Cu 35-240 mm ²	Black	Cu 425 A, Al 380 A	1000 V	8 mm	38	12 Nm (35-70mm ²), 45 Nm (95-240mm ²)	Ruuvi	64 x 130 x 67	0,438	30	

The nominal currents in the table are for maximum cross-sections.



KE266.4



KE267.6



KE268.4



KE269.6

UL recognitions

Product code	Wire type	AWG* 1 wire/terminal	AWG* 2 Cu-wires/terminal	AWG* 3 Cu-wires/terminal	Max insulation voltage	Max current	Tightening torque	Allen-hex socket head terminal screw	Dimensions (W x H x D)
KE266.x	Cu	1/0 - 6	6	8	600 V	150 A	90 lb-in	5 mm	1,2 x 1,9 x 1,7 In (29,8 x 49 x 43 mm)
	Al	1/0 - 6			600 V	120 A	(10 Nm)		
KE267.x	Cu	4/0 - 4	2 - 6	6	600 V	230 A	126 lb-in	5 mm	1,7 x 3,4 x 1,9 In (42 x 86 x 49 mm)
	Al	4/0 - 4			600 V	180 A	(14 Nm)		
KE268.x	Cu	300 - 2	1/0 - 2	2	600 V	285 A	216 lb-in	8 mm	2,0 x 3,7 x 2,3 In (51,5 x 95 x 59 mm)
	Al	300 - 2			600 V	230 A	(24 Nm)		
KE269.x	Cu	500 - 3/0	2/0 - 2	1/0 - 2	600 V	380 A	360 lb-in	8 mm	2,5 x 5,1 x 2,6 In (64 x 130 x 67 mm)
	Al	500 - 3/0			600 V	310 A	(40 Nm)		

CONDUCTORS THAT CAN BE USED WITH THE TERMINALS: NUMBER, CROSS-SECTION AND TYPE.

See more details, conductor table, page 30.

Product code	Wire type	Cross-sections of conductors (mm ²) and number of conductors/space. The conductor numbers below refer only to industrially-installed terminals.													Nominal current (A)	Nominal insulation voltage (V)	Tightening torque (Nm)		
		1.5	2.5	4	6	10	16	25	35	50	70	95	120	150				185	240
KE266	Al				1	1	1	1	1	1							145	800	4 (2,5-4 mm ²) 12 (6-50 mm ²)
	Cu		3	3	3	3	2	1	1	1							160		
KE267	Al						1	1	1	1	1	1					220	800	20
	Cu						3	2	2	1	1	1					245		
KE268	Al								1	1	1	1	1	1			290	800	20 (35-95 mm ²) 30 (120-150 mm ²)
	Cu								3	3	2	1	1	1			320		
KE269	Al									1	1	1	1	1	1	1	380	800	12 (35-70 mm ²) 45 (95-240 mm ²)
	Cu								3	3	2	1	1	1	1	1	425		

Ensto Clampo Apparatus equipment terminals

For Al/Cu conductors from 2,5 to 240 mm²



ENSTO CLAMPO APPARATUS EQUIPMENT TERMINALS IN BRIEF:

- Universal terminal series for connecting aluminium and copper conductors to equipment
- Specially developed to meet the needs of equipment manufacturers
- Wide application area (traditional panel-building and the manufacture of machinery and equipment in which both aluminium and copper conductors can be used)
- Used in equipment or as a transfer terminal between copper and aluminium
- Reliable product with simple construction
- Oxidation-inhibiting compound applied at the factory
- Easy to install
- Adapter terminals KE12.12 are suitable for MCB's, KE12.20 are suitable for Ensto Compact KSM switches

Conformity	
CE	
Standards	
KE12.12, KE12.20:	IEC 61545, EN 60947-7-1
KE52.2:	IEC 61238-1-1, EN 60947-7-1
KE53.2 and KE54.2:	IEC 61238-1, EN 60947-7-1
Connector class:	A
Technical information	
Cross-section range:	Al 6 – 240 mm ² Cu 2.5 – 240 mm ²
Nominal current range:	145 – 425 A
Operating temperature:	max 80 °C
Material	
Housing KE12.xx	Polyamide
Body and screws:	Tin-coated aluminium
Mechanical features	
Screw head:	Hexagonal
Mounting:	Directly to the equipment

Dimensional drawings, page 45.

Ensto Clampo Apparatus, adapter terminals



KE12.12

Product code	Conductor cross-section	Number of poles	Nominal current	Screw head hexagon	Tightening torque	Dimensions W x L x H (mm)	Weight (kg)	Package size (pcs)	GTIN-13
KE12.12	Cu 2.5–50 mm ² Al 6–50 mm ²	1	Cu 160 A, Al 145 A	5 mm	12 Nm	16.4 x 43 x 29.1	0.013	90	6418677181788
KE12.20	Cu 2.5–50 mm ² Al 6–50 mm ²	1	Cu 160 A, Al 145 A	5 mm	12 Nm	16.4 x 51 x 29.1	0.014	90	6418677181795

The nominal currents in the table are for maximum cross-sections.

Ensto Clampo Apparatus, equipment terminals



KE52.2

Product code	Conductor cross-section	Number of poles	Nominal current	Screw head hexagon	Tightening torque	Dimensions W x L x H (mm)	Weight (kg)	Package size (pcs)	GTIN-13
KE52.2	Al/Cu 16–95 mm ²	1	270 A	5 mm	14 Nm	20 x 47 x 33	0.030	30	6418677192449
KE53.2	Al/Cu 35–150 mm ²	1	320 A	8 mm	14 Nm (35–95 mm ²), 24 Nm (120–150 mm ²)	24.5 x 60 x 40	0.050	30	6418677192456
KE54.2	Al/Cu 35–240 mm ²	1	425 A	8 mm	12 Nm (35–70 mm ²), 40 Nm (95–240 mm ²)	32 x 77 x 48	0.115	15	6418677192463

The nominal currents in the table are for maximum cross-sections.

CONDUCTORS THAT CAN BE USED WITH THE TERMINALS: NUMBER, CROSS-SECTION AND TYPE.

- Nominal cross-sections are in **bold type**.
- Often the requirements of a specific apparatus restrict the number of conductors.
- The nominal current of the terminal must not be exceeded.
- In general, the conductors connected to one conductor space of a connector must be of the same type.
- Table values require careful installation.
- After installation, check that all conductors are pressed into a connection.
- We recommend a ferrule when using a fine stranded conductor.
- Each incoming and outgoing protection conductor in a panel must have its own separate terminal.
- The conductor numbers below refer only to industrially-installed terminals (internal connections in a panel), (SGS Fimko).

Product code	Wire type	Cross-sections of conductors (mm ²) and number of conductors/space. The conductor numbers below refer only to industrially-installed terminals.														Nominal current (A)	Tightening torque (Nm)		
		1.5	2.5	4	6	10	16	25	35	50	70	95	120	150	185			240	300
KE12.12, KE12.20	Al				1	1	1	1	1	1								145	12
	Cu		1	1	1	1	1	1	1	1								160	
KE52.2	Al						1	1	1	1	1	1						270	14
	Cu						3	2	2	1	1	1							
KE53.2	Al								1	1	1	1	1	1				320	14 (35-95 mm ²)
	Cu								3	2	1	1	1	1					24 (120-150 mm ²)
KE54.2	Al								1	1	1	1	1	1	1	1		425	12 (35-70 mm ²)
	Cu								3	3	2	1	1	1	1	1			40 (95-240 mm ²)



Ensto Clampo Tap tapping terminals

For Cu conductors from 6 to 70 mm²



ENSTO CLAMPO TAP TAPPING TERMINALS IN BRIEF:

- One-pole and four-pole terminal plates for 6 – 70 mm² copper conductors
- Particularly suitable for use with higher voltages or when improved shrouding is required
- Terminals have insulating partitions
- Can be mounted onto a DIN rail

Conformity	
CE  	
Standards	
EN 60947-7-1	
Technical information	
Cross-section range:	Cu 6 – 70 mm ²
Nominal current range:	192 A
Nominal insulation voltage:	750 V
Operating temperature:	Max. 80 °C
Pollution degree:	3
Material	
Housing:	Polyamide
Body:	Steel
Mechanical features	
Screw head:	Nut
Mounting:	Screws or DIN rail

Dimensional drawings, page 46.

Ensto Clampo Tap, tapping terminal, 750 V

Product code	Conductor cross-section	Nominal current	Nominal insulation voltage	Screw head	Key size	Tightening torque	Mounting	Dimensions W x L x H (mm)	Weight (kg)	Package size (pcs)	GTIN-13
Four-pole terminal plates											
KF7.70	Cu 6 – 70 mm ²	192 A	750 V	Nut	8 mm	4 Nm	DIN rail/screw	122 x 64 x 43	0.160	25	6418677162602
One-pole terminal plates											
KF8.70	Cu 6 – 70 mm ²	192 A	750 V	Nut	8 mm	4 Nm	DIN rail/screw	38 x 64 x 43	0.050	20	6418677162619

The nominal currents in the table are for maximum cross-sections.



KF7.70



KF8.70

Protective covers



Product code	Description	Length	Weight (kg)	Package size (pcs)	GTIN-13
RDP6	For KF7 and KF8	2 m	0.247	10	6418677162626

CONDUCTORS THAT CAN BE USED WITH THE TERMINALS: NUMBER, CROSS-SECTION AND TYPE.

See more details, conductor table, page 31.

Product code	Wire type	Cross-sections of conductors (mm ²) and number of conductors/space. The conductor numbers below refer only to industrially-installed terminals.													Nominal current (A)	Nominal insulation voltage (V)	Tightening torque (Nm)			
		1.5	2.5	4	6	10	16	25	35	50	70	95	120	150				185	240	300
KF7.70	Cu				7	7	6	4	4	2	2	1						192	750	4
KF8.70	Cu				7	7	6	4	4	2	2	1						192	750	4

Ensto Clampo Compact terminal blocks



For Cu conductors from 1,5 to 16 mm²

ENSTO CLAMPO COMPACT TERMINAL BLOCKS IN BRIEF:

- For 1.5 – 16 mm² copper conductors
- Used in controlling, instrumentation and automation applications
- Cost-effective solution
- Compact in size (ideal for installations with limited space)
- Include wire protection (to prevent damage to fine wire strands, while also preventing wires from entering too deeply into the terminal)
- Body of polyamide
- Installation onto a DIN rail or directly onto surface
- Easy to mark (either by using marking tape or printing directly onto the terminal body)

Conformity	
Standards	
EN 60947-7-1, UL 1059, CSA C22.2 No. 158-10	
Technical information	
Cross-section range:	Cu 1,5 – 16 mm ²
Nominal current range:	17,5 – 82 A
Nominal insulation voltage:	450 – 750 V
Operating temperature:	Max. 80 °C
Material	
Housing:	Polyamide
Body:	Ni-coated brass
Mechanical features	
Screw head:	Slot head
Mounting:	Screws or DIN rail

Dimensional drawings, pages 47-48.

Ensto Clampo Compact, terminal blocks

Product code	Conductor cross-section	Number of poles	Nominal current	Nominal insulation voltage	Screw head slot head	Tightening torque	Mounting	Dimensions W x L x H (mm)	Weight (kg)	Package size (pcs)	GTIN-13
KR5031	Cu 1,5 mm ²	3	17,5 A	750 V (pollution degree 2)*	M2,6	0,4 Nm	DIN rail/ screw	26 x 22 x 18	0,007	200	6418677111402
KR5131	Cu 1,5 mm ²	12	17,5 A	750 V (pollution degree 2)*	M2,6	0,4 Nm	DIN rail/ screw	70,9 x 22 x 18	0,026	50	6418677111426
KR8031	Cu 1,5 – 6 mm ²	3	41 A	750 V (pollution degree 2)*	M3,5	0,8 Nm	DIN rail/ screw	31,4 x 22 x 22	0,015	200	6418677111778
KR8041	Cu 1,5 – 6 mm ²	4	41 A	750 V (pollution degree 2)*	M3,5	0,8 Nm	DIN rail/ screw	38,2 x 22 x 22	0,021	200	6418677111792
KR8121	Cu 1,5 – 6 mm ²	12	41 A	750 V (pollution degree 2)*	M3,5	0,8 Nm	DIN rail/ screw	90,8 x 22 x 22	0,060	100	6418677111822
KR10021	Cu 6 – 16 mm ²	2	82 A	750 V (pollution degree 2)**	M6	2,5 Nm	DIN rail/ screw	34 x 30,8 x 39,5	0,044	100	6418677111334
KR10031	Cu 6 – 16 mm ²	3	82 A	750 V (pollution degree 2)**	M6	2,5 Nm	DIN rail/ screw	45,3 x 30,8 x 39,5	0,065	100	6418677111358

* Pollution degree 3: nominal insulation voltage 450 V

** Pollution degree 3: nominal insulation voltage 500 V

The nominal currents in the table are for maximum cross-sections.



KR5131



KR8041



KR10031



KR10021

UL recognitions

Product code	Number of poles	Wire type	AWG* 1 wire/terminal	Maximum voltage	Maximum current	Nominal tightening torque	Screwdriver terminal screw	Dimensions (W x L x H)
KR5031	3	Cu	14 – 22	150 V	10 A	4,4 lb-in (0,5 Nm)	Max. 3.5 mm slot	1.0 x 0.9 x 0.7 In (26 x 22 x 18 mm)
KR5131	12	Cu	14 – 22	150 V	10 A	4,4 lb-in (0,5 Nm)	Max. 3.5 mm slot	2.8 x 0.9 x 0.7 In (70.9 x 22 x 18 mm)
KR8031	3	Cu	8 – 18	150 V	50 A	7 lb-in (0,8 Nm)	Max. 5 mm slot	1.2 x 0.9 x 0.9 In (31.4 x 22 x 22 mm)
KR8041	4	Cu	8 – 18	150 V	50 A	7 lb-in (0,8 Nm)	Max. 5 mm slot	1.5 x 0.9 x 0.9 In (38.2 x 22 x 22 mm)
KR8121	12	Cu	8 – 18	150 V	50 A	7 lb-in (0,8 Nm)	Max. 5 mm slot	3.6 x 0.9 x 0.9 In (90.8 x 22 x 22 mm)
KR10021	2	Cu	6 – 18	300 V	65 A	20 lb-in (2,25 Nm)	Max. 6.5 mm slot	1.3 x 1.2 x 1.6 In (34 x 30.8 x 39.5 mm)
KR10031	3	Cu	6 – 18	300 V	65 A	20 lb-in (2,25 Nm)	Max. 6.5 mm slot	1.8 x 1.2 x 1.6 In (45.3 x 30.6 x 39.5 mm)

Standard UL 1059, UL category XCFR2, file no. E192532.

* AWG = American Wire Gauge

Insulating material polyamide, flammability rating V-2 (UL94).

Accessories

Product code	Description	Weight (kg)	Package size (pcs)	GTIN-13
KRL1505.02	Cross connector, 2-pole, 1.5 mm ²	0.001	100	6418677111860
KRL6067.02	Cross connector, 2-pole, 6 mm ²	0.001	100	6418677112003
KRL6067.03	Cross connector, 3-pole, 6 mm ²	0.002	100	6418677112010
KRL6067.04	Cross connector, 4-pole, 6 mm ²	0.002	100	6418677112027
KRL7	Adapter for 35 x 7.5 mm DIN rail mounting, grey	0.001	100	6418677112034
KRL8	End holder, fits both DIN 15 and 35 mm rails	0.003	100	6418677112041
PMR143	End plate for direct mounting	0.001	100	6418677112614
PMR370	Spacer plate, fits both DIN 15 and 35 mm rails	0.002	100	6418677112645
KRL6	Spacer plate for KR8121	0.002	100	6418677111952
PP44	DIN rail, 15 mm, steel, length = 2 m	0.290	10	6418677112720



Cross connector, 3-pole, KRL6067.03.



Adapter for 35 x 7.5 mm DIN rail mounting, KRL7.



End holder, fits both DIN 15 and 35 mm rails, KRL8.



End plate for direct mounting, PMR143.



Spacer plate, fits both DIN 15 and 35 mm rails, PMR370.

CONDUCTORS THAT CAN BE USED WITH THE TERMINALS: NUMBER, CROSS-SECTION AND TYPE.

See more details, conductor table, page 31.

Product code	Wire type	Cross-sections of conductors (mm ²) and number of conductors/space. The conductor numbers below refer only to industrially-installed terminals.											Nominal current (A)	Nominal insulation voltage (V)	Tightening torque (Nm)					
		1.5	2.5	4	6	10	16	25	35	50	70	95				120	150	185	240	300
KR5031/5121	Cu	1																17,5	450	0,4
KR8031...8121	Cu	3	2	1	1													41	450	0,8
KR10021/10031	Cu				1	1	1											82	500	2,5

Ensto Clampo Eurostrips

For Cu conductors from 1,5 to 16 mm²



ENSTO CLAMPO EUROSTRIPS IN BRIEF:

- For 1.5 – 16 mm² copper conductors
- For flexible, stranded and solid wires
- Produced as 12-pole
 - can be ordered precut with the required number of poles
- On request individual pole positions can be marked with desired markings
- Available with or without standoff feet
- Available with or without wire protection

Conformity	
Standards	
EN 60998-1, EN 60998-2-1, UL1059, CSA C22.2 No. 158-10	
Technical information	
Cross-section range:	Cu 1.5 – 16 mm ²
Nominal current range:	15 – 65 A
Nominal insulation voltage:	450 – 750 V
Operating temperature:	Max. 80 °C
Material	
Housing:	Polyamide
Body:	Ni-coated brass
Mechanical features	
Screw head:	Slot head
Mounting:	Screws

Dimensional drawings, page 49.

Ensto Clampo Eurostrips

Product code	Conductor cross-section	Flat base or standoff feet	Wire protection	Number of poles	Nominal current	Nominal insulation voltage	Screw head slot head	Tightening torque	Mounting hole diameter (mm)	Dimensions W x L x H (mm)	Weight (kg)	GTIN-13
KA16.12	1.5 mm ²	Flat base	No	12	15 A	450 V	M2.6	0.3–0.5 Nm	2.8	93.5 x 18.2 x 13.8	0.0191	6418677102608
KB16.12	1.5 mm ²	Flat base	Yes	12	15 A	450 V	M2.6	0.3–0.5 Nm	2.8	93.5 x 18.2 x 13.8	0.0191	6418677105593
KA17.12	1.5 mm ²	Standoff feet	No	12	15 A	450 V	M2.6	0.3–0.5 Nm	2.8	93.5 x 18.2 x 17.3	0.0190	6418677102721
KB17.12	1.5 mm ²	Standoff feet	Yes	12	15 A	450 V	M2.6	0.3–0.5 Nm	2.8	93.5 x 18.2 x 17.3	0.0200	6418677105715
KA241.12	4 mm ²	Flat base	No	12	30 A	450 V	M3	0.4–0.6 Nm	3.5	117 x 22.2 x 15.8	0.0320	6418677103445
KB241.12	4 mm ²	Flat base	Yes	12	30 A	450 V	M3	0.4–0.6 Nm	3.5	117 x 22.2 x 15.8	0.0330	6418677106439
KA242.12	4 mm ²	Standoff feet	No	12	30 A	450 V	M3	0.4–0.6 Nm	3.5	117 x 22.2 x 19.8	0.0350	6418677103568
KB242.12	4 mm ²	Standoff feet	Yes	12	30 A	450 V	M3	0.4–0.6 Nm	3.5	117 x 22.2 x 19.8	0.0360	6418677106552
KA460.12	6 mm ²	Flat base	No	12	40 A	450 V	M3.5	0.6–0.8 Nm	4.2	140 x 23.2 x 17.7	0.0460	6418677104701
KB460.12	6 mm ²	Flat base	Yes	12	40 A	450 V	M3.5	0.6–0.8 Nm	4.2	140 x 23.2 x 17.7	0.0480	6418677107283
KA463.12	6 mm ²	Standoff feet	No	12	40 A	450 V	M3.5	0.6–0.8 Nm	4.2	140 x 23.2 x 21.2	0.0480	6418677104824
KB463.12	6 mm ²	Standoff feet	Yes	12	40 A	450 V	M3.5	0.6–0.8 Nm	4.2	140 x 23.2 x 21.2	0.0490	6418677107405
KA612.12	16 mm ²	Standoff feet	No	12	65 A	750 V	M5	1.8–2.0 Nm	4.0	176 x 28 x 26.5	0.0920	6418677105302
KB612.12	16 mm ²	Standoff feet	Yes	12	65 A	750 V	M5	1.8–2.0 Nm	4.0	176 x 28 x 26.5	0.0940	6418677108006

Package size 250 pcs.

The nominal currents in the table are for maximum cross-sections.



KA16.12



KA241.12



KA460.12



KA612.12

UL recognitions

Product code	AWG* 1 wire/terminal	Number of poles	Maximum current	Maximum insulation voltage	Screw head slot head	Tightening torque	Dimensions L x W x H (mm)
KA / KB16.12	12 - 22	12	20 A	300 V	M2.6	0.3 - 0.5 Nm	93.5 x 18.2 x 13.8
KA / KB17.12	12 - 22	12	20 A	600 V	M2.6	0.3 - 0.5 Nm	93.5 x 18.2 x 17.3
KA / KB241.12	10 - 20	12	30 A	300 V	M3	0.4 - 0.6 Nm	117 x 22.2 x 15.8
KA / KB242.12	10 - 20	12	30 A	600 V	M3	0.4 - 0.6 Nm	117 x 22.2 x 19.3
KA / KB460.12	8 - 20	12	40 A	300 V	M3.5	0.6 - 0.8 Nm	140 x 23.2 x 17.7
KA / KB463.12	8 - 20	12	40 A	600 V	M3.5	0.6 - 0.8 Nm	140 x 23.2 x 21.2
KA / KB612.12	6 - 14	12	65 A	600 V	M5	1.8 - 2.0 Nm	176 x 28 x 26.5

Standard UL 1059, UL category XCFR2, file no. E192532.

* AWG = American Wire Gauge

Insulating material polyamide, flammability rating V-2 (UL94).

Accessories

Product code	Description	Weight (kg)	Package size (pcs)	GTIN-13
Cross connectors				
KRL1508.02	2-pole, 1.5 mm ²	0.0008	100	6418677111891
KRL4010.02	2-pole, 4 mm ²	0.0012	100	6418677714856
KRL6012.02	2-pole, 6 mm ²	0.0013	100	6418677111969
KRL6012.03	3-pole, 6 mm ²	0.0021	100	6418677111983
Mounting pins				
AH2242	For KA/KB242, white, total length 20.5 mm, insertion length 14 mm, hole Ø 4.5 mm	0.0002	1000	6418677100161
AH2463	For KA/KB463, grey, total length 21.5 mm, insertion length 14.5 mm, hole Ø 4.5 mm	0.0003	1000	6418677100178
Spacer plate				
KA46	For 4-6 mm ² terminal blocks with standoff feet	0.002	1000	6418677104589



KRL6012.02



Mounting pins



KA46



PMK2812, PMK3012

Marking plates

Product code	Single or double	Markings	Nominal cross-section mm ²	For products	Weight (kg)	Package size (pcs)	GTIN-13
PMK2612	2	Plain	4	241, 242	0,0040	500	6418677112485
PMK2712	2	(1-12)	4	241, 242	0,0040	500	6418677112492
PMK2812	1	Plain	4	241, 242	0,0023	500	6418677112508
PMK2912	1	(1-12)	4	241, 242	0,0023	500	6418677112515
PMK3012	2	Plain	6	460, 463	0,0050	500	6418677112522

CONDUCTORS THAT CAN BE USED WITH THE TERMINALS: NUMBER, CROSS-SECTION AND TYPE.

See more details, conductor table, page 31.

Product code	Wire type	Cross-sections of conductors (mm ²) and number of conductors/space. The conductor numbers below refer only to industrially-installed terminals.													Nominal current (A)	Nominal insulation voltage (V)	Tightening torque (Nm)			
		1.5	2.5	4	6	10	16	25	35	50	70	95	120	150				185	240	300
KA / KB16.12	Cu	1																15	450	0,3 - 0,5
KA / KB17.12	Cu	1																15	450	0,3 - 0,5
KA / KB241.12	Cu	1	1	1														30	450	0,4 - 0,6
KA / KB242.12	Cu	1	1	1														30	450	0,4 - 0,6
KA / KB460.12	Cu		1	1	1													40	450	0,6 - 0,8
KA / KB463.12	Cu		1	1	1													40	450	0,6 - 0,8
KA / KB612.12	Cu				1	1	1											65	750	1,8 - 2,0

Ensto Clampo Wire Connectors

For Cu conductors from 2.5 mm² to 16 mm²

ENSTO CLAMPO WIRE CONNECTORS IN BRIEF:

- For 2.5 – 16 mm² copper conductors
- For flexible, stranded and solid wires
- Produced as 12-pole
 - can easily be cut without any tools



Conformity	
CE	
Standards	
EN 60998-1	
Technical information	
Cross-section range:	Cu 2,5 – 16 mm ²
Nominal insulation voltage:	450 V
Operating temperature:	Max. 80 °C
Material	
Housing:	Polyamide (KD160 Polycarbonate)
Body:	Steel (KD160 Ni-coated brass)
Mechanical features	
Screw head:	Slot head
Mounting:	Screws or DIN rail

Dimensional drawings, page 50.

Ensto Clampo Wire Connectors

Product code	Conductor cross-section	Number of poles	Nominal insulation voltage	Screw head slot head	Tightening torque	Dimensions W x L x H (mm)	Weight (kg)	Package size (pcs)	GTIN-13
AL2.12	2 x 6 mm ² / 3 x 4 mm ² / 4 x 2,5 mm ²	12	450 V	M4,5	1,8 – 2,0 Nm	130 x 26 x 32,1	0,0812	50	6410019230550
AL13	2 x 16 mm ² / 2 x 10 mm ² / 3 x 6 mm ² / 4 x 4 mm ²	1	450 V	M6	2,5 – 2,7 Nm	16 x 39,5 x 40	0,0120	500	6410019230604
KD160.01	4 x 1 mm ² / 3 x 1,5 mm ² / 2 x 2,5 mm ²	1	450 V	M4	1,2 – 1,4 Nm	9 x 15,5 x 17	0,0002	2000	6418677109348
KD160.12	4 x 1 mm ² / 3 x 1,5 mm ² / 2 x 2,5 mm ²	12	450 V	M4	1,2 – 1,4 Nm	110 x 15,5 x 17	0,0025	500	6418677109454

The nominal currents in the table are for maximum cross-sections.



AL2.12



AL13



KD160.12

CONDUCTORS THAT CAN BE USED WITH THE TERMINALS: NUMBER, CROSS-SECTION AND TYPE.

See more details, conductor table, page 31.

Product code	Wire type	Cross-sections of conductors (mm ²) and number of conductors/space. The conductor numbers below refer only to industrially-installed terminals.													Nominal current (A)	Nominal insulation voltage (V)	Tightening torque (Nm)		
		1.5	2.5	4	6	10	16	25	35	50	70	95	120	150				185	240
Ensto Clampo Wire connectors																			
AL2.12	Cu		4	3	2												41	450	1,8 – 2,0
AL13	Cu			4	3	2	2										76	450	2,5 – 2,7
KD160.01	Cu	3	2	1													24	450	1,2 – 1,4
KD160.12	Cu	3	2	1													24	450	1,2 – 1,4

Ensto Clampo Ground N and PE terminals



For Cu conductors from 1.5 mm² to 16 mm²

ENSTO CLAMPO GROUND N AND PE TERMINALS IN BRIEF:

- Used in control and panel building applications
- Versatile installation and mounting alternatives
- Products as complete units in wide selection of sizes and markings
- Separate components of terminals also available for special assemblies
- Models with wire protection (to prevent damage to fine wire strands)

Conformity	
Standards	
N busbars:	EN 60947-7-1
PE busbars:	EN 60947-7-2
N and PE busbars:	EN 60947-7-1, EN 60947-7-2
Technical information	
Cross-section range:	Cu 1.5 – 16 mm ²
Nominal current range:	76 – 82 A
Nominal insulation voltage:	500 V
Operating temperature:	max 80 °C
Pollution degree:	3
Material	
Body:	Polyamide/polycarbonate
Base:	Brass/steel
Mechanical features	
Screw head:	+/-
Mounting:	Screws or DIN rail

Dimensional drawings, pages 51-54.

Ensto Clampo Ground, neutral busbars

Product code	Conductor cross-section	Nominal current	Nominal insulation voltage	Screw head	Tightening torque	Mounting	Dimensions W x L x H (mm)	Weight (kg)	Package size (pcs)	GTIN-13
N busbars with 16 mm² and 6 mm² pillar terminals										
KNA4.104	Cu 2 x (1 x 16 mm ² + 3 x 6 mm ²)	82 A	500 V	+/-	2 Nm/0.8 Nm	DIN rail/screw	40 x 53 x 35	0.063	50	6418677162770
KNA4.106	Cu 2 x (1 x 16 mm ² + 5 x 6 mm ²)	82 A	500 V	+/-	2 Nm/0.8 Nm	DIN rail/screw	40 x 65 x 35	0.085	50	6418677162787
KNA4.108	Cu 2 x (1 x 16 mm ² + 7 x 6 mm ²)	82 A	500 V	+/-	2 Nm/0.8 Nm	DIN rail/screw	40 x 79 x 35	0.104	25	6418677162794
KNA4.110	Cu 2 x (2 x 16 mm ² + 8 x 6 mm ²)	82 A	500 V	+/-	2 Nm/0.8 Nm	DIN rail/screw	40 x 95 x 35	0.130	25	6418677162817
KNA4.112	Cu 2 x (2 x 16 mm ² + 10 x 6 mm ²)	82 A	500 V	+/-	2 Nm/0.8 Nm	DIN rail/screw	40 x 106 x 35	0.153	25	6418677162824
KNA4.114	Cu 2 x (3 x 16 mm ² + 11 x 6 mm ²)	82 A	500 V	+/-	2 Nm/0.8 Nm	DIN rail/screw	40 x 122 x 35	0.178	25	6418677162831
KNA4.120	Cu 2 x (4 x 16 mm ² + 16 x 6 mm ²)	82 A	500 V	+/-	2 Nm/0.8 Nm	DIN rail/screw	40 x 160 x 35	0.243	25	6418677162848
N busbars with 16 mm² pillar terminals										
KN4.102	Cu 2 x (2 x 16 mm ²)	82 A	500 V	+/-	2 Nm/0.8 Nm	DIN rail/screw	40 x 43 x 43	0.052	100	6418677152849
KN4.104	Cu 2 x (4 x 16 mm ²)	82 A	500 V	+/-	2 Nm/0.8 Nm	DIN rail/screw	40 x 61 x 43	0.088	50	6418677152856
KN4.106	Cu 2 x (6 x 16 mm ²)	82 A	500 V	+/-	2 Nm/0.8 Nm	DIN rail/screw	40 x 79 x 43	0.122	50	6418677152863
KN4.108	Cu 2 x (8 x 16 mm ²)	82 A	500 V	+/-	2 Nm/0.8 Nm	DIN rail/screw	40 x 97 x 43	0.162	25	6418677152870
KN4.110	Cu 2 x (10 x 16 mm ²)	82 A	500 V	+/-	2 Nm/0.8 Nm	DIN rail/screw	40 x 115 x 43	0.198	25	6418677152887
KN4.112	Cu 2 x (12 x 16 mm ²)	82 A	500 V	+/-	2 Nm/0.8 Nm	DIN rail/screw	40 x 133 x 43	0.230	25	6418677152894

The nominal currents in the table are for maximum cross-sections.



KNA4.110



KN4.106

Ensto Clampo Ground, PE busbars

Product code	Conductor cross-section	Screw head	Tightening torque	Mounting	Dimensions W x L x H (mm)	Weight (kg)	Package size (pcs)	GTIN-13
PE busbars with 16 mm² and 6 mm² pillar terminals								
KNA4.104P	Cu 2 x (1 x 16 mm ² + 3 x 6 mm ²)	+/-	2 Nm/0.8 Nm	DIN rail/screw	40 x 58 x 35	0.063	50	6418677152900
KNA4.106P	Cu 2 x (1 x 16 mm ² + 5 x 6 mm ²)	+/-	2 Nm/0.8 Nm	DIN rail/screw	40 x 65 x 35	0.085	50	6418677152917
KNA4.108P	Cu 2 x (1 x 16 mm ² + 7 x 6 mm ²)	+/-	2 Nm/0.8 Nm	DIN rail/screw	40 x 79 x 35	0.104	25	6418677152924
KNA4.110P	Cu 2 x (2 x 16 mm ² + 8 x 6 mm ²)	+/-	2 Nm/0.8 Nm	DIN rail/screw	40 x 95 x 35	0.130	25	6418677152931
KNA4.112P	Cu 2 x (2 x 16 mm ² + 10 x 6 mm ²)	+/-	2 Nm/0.8 Nm	DIN rail/screw	40 x 106 x 35	0.153	25	6418677152948
KNA4.114P	Cu 2 x (3 x 16 mm ² + 11 x 6 mm ²)	+/-	2 Nm/0.8 Nm	DIN rail/screw	40 x 122 x 35	0.178	25	6418677152955
KNA4.120P	Cu 2 x (4 x 16 mm ² + 16 x 6 mm ²)	+/-	2 Nm/0.8 Nm	DIN rail/screw	40 x 160 x 35	0.243	25	6418677152962

The nominal currents in the table are for maximum cross-sections.



KNA4.110P

Ensto Clampo Ground, N and PE busbars

Product code	Conductor cross-section	Nominal current	Nominal insulation voltage	Screw head	Tightening torque	Mounting	Dimensions W x L x H (mm)	Weight (kg)	Package size (pcs)	GTIN-13
N and PE busbars with 16 mm² and 6 mm² pillar terminals, 6 mm² pillar terminals with wire protection										
KNA5.108	Cu, N 1 x 16 mm ² + 7 x 6 mm ² , PE 2 x 16 mm ² + 7 x 6 mm ²	82 A	500 V	+/-	2 Nm/0.8 Nm	DIN rail/screw	40 x 121.5 x 35	0.176	25	6418677162954
KNA5.113	Cu, N 1 x 16 mm ² + 12 x 6 mm ² , PE 2 x 16 mm ² + 12 x 6 mm ²	82 A	500 V	+/-	2 Nm/0.8 Nm	DIN rail/screw	40 x 152 x 35	0.233	25	6418677162961
KNA5.117	Cu, N 1 x 16 mm ² + 16 x 6 mm ² , PE 2 x 16 mm ² + 16 x 6 mm ²	82 A	500 V	+/-	2 Nm/0.8 Nm	DIN rail/screw	40 x 176.5 x 35	0.276	25	6418677162978
KNA5.120	Cu, N 1 x 16 mm ² + 19 x 6 mm ² , PE 2 x 16 mm ² + 19 x 6 mm ²	82 A	500 V	+/-	2 Nm/0.8 Nm	DIN rail/screw	40 x 195 x 35	0.309	25	6418677162985
KNA5.125	Cu, N 2 x 16 mm ² + 23 x 6 mm ² , PE 3 x 16 mm ² + 23 x 6 mm ²	82 A	500 V	+/-	2 Nm/0.8 Nm	DIN rail/screw	40 x 240.5 x 35	0.377	25	6418677162992
KNA5.130	Cu, N 2 x 16 mm ² + 28 x 6 mm ² , PE 3 x 16 mm ² + 28 x 6 mm ²	82 A	500 V	+/-	2 Nm/0.8 Nm	DIN rail/screw	40 x 271 x 35	0.438	20	6418677163005
KNA5.134	Cu, N 2 x 16 mm ² + 32 x 6 mm ² , PE 3 x 16 mm ² + 32 x 6 mm ²	82 A	500 V	+/-	2 Nm/0.8 Nm	DIN rail/screw	40 x 295.5 x 35	0.470	20	6418677163012
KNA5.138	Cu, N 2 x 16 mm ² + 36 x 6 mm ² , PE 3 x 16 mm ² + 36 x 6 mm ²	82 A	500 V	+/-	2 Nm/0.8 Nm	DIN rail/screw	40 x 320 x 35	0.520	10	6418677163029
N and PE busbars with 16 mm² and 6 mm² pillar terminals										
KNA4.108NP	Cu, N 1 x 16 mm ² + 7 x 6 mm ² , PE 1 x 16 mm ² + 7 x 6 mm ²	82 A	500 V	+/-	2 Nm	DIN rail/screw	40 x 79 x 35	0.104	25	6418677153105
KNA4.114NP	Cu, N 3 x 16 mm ² + 11 x 6 mm ² , PE 3 x 16 mm ² + 11 x 6 mm ²	82 A	500 V	+/-	2 Nm	DIN rail/screw	40 x 122 x 35	0.178	25	6418677153112
KNA4.120NP	Cu, N 4 x 16 mm ² + 16 x 6 mm ² , PE 4 x 16 mm ² + 16 x 6 mm ²	82 A	500 V	+/-	2 Nm	DIN rail/screw	40 x 160 x 35	0.243	25	6418677153129
KNA4.126NP	Cu, N 4 x 16 mm ² + 22 x 6 mm ² , PE 4 x 16 mm ² + 22 x 6 mm ²	82 A	500 V	+/-	2 Nm	DIN rail/screw	40 x 203 x 35	0.315	25	6418677153136
KNA4.136NP	Cu, N 4 x 16 mm ² + 32 x 6 mm ² , PE 4 x 16 mm ² + 32 x 6 mm ²	82 A	500 V	+/-	2 Nm	DIN rail/screw	40 x 269 x 35	0.415	25	6418677153143
N and PE busbars with 16 mm² pillar terminals										
KN4.204	Cu, N 4 x 16 mm ² , PE 4 x 16 mm ²	76 A	500 V	+/-	2 Nm	DIN rail/screw	40 x 68.5 x 40	0.100	50	6418677162909
KN4.206	Cu, N 6 x 16 mm ² , PE 6 x 16 mm ²	76 A	500 V	+/-	2 Nm	DIN rail/screw	40 x 86.5 x 40	0.146	25	6418677162916
KN4.208	Cu, N 8 x 16 mm ² , PE 8 x 16 mm ²	76 A	500 V	+/-	2 Nm	DIN rail/screw	40 x 104.5 x 40	0.181	25	6418677162923
KN4.210	Cu, N 10 x 16 mm ² , PE 10 x 16 mm ²	76 A	500 V	+/-	2 Nm	DIN rail/screw	40 x 122.5 x 40	0.219	25	6418677162930
KN4.212	Cu, N 12 x 16 mm ² , PE 12 x 16 mm ²	76 A	500 V	+/-	2 Nm	DIN rail/screw	40 x 140.5 x 40	0.254	25	6418677162947

The nominal currents in the table are for maximum cross-sections.



KNA5.108



KNA4.120NP



KNA4.206

Ensto Clampo Ground, N and PE busbars in parts



N and PE busbar in parts with saddle terminals, KN2.2.

Product code	Description	Nominal current	Tightening torque	Weight (kg)	Package size (pcs)	GTIN-13
N and PE busbars in parts, saddle terminals						
KN2.2	Cu 2 x (1.5–16 mm ²)	82 A	1.2 Nm	0.019	250	6418677163050
KN2.3	Cu 3 x (1.5–16 mm ²)	82 A	1.2 Nm	0.028	250	6418677163067
KN2.4	Cu 4 x (1.5–16 mm ²)	82 A	1.2 Nm	0.035	200	6418677163074
KN2.5	Cu 5 x (1.5–16 mm ²)	82 A	1.2 Nm	0.045	200	6418677163081
KN2.6	Cu 6 x (1.5–16 mm ²)	82 A	1.2 Nm	0.052	200	6418677163098
KN2.7	Cu 7 x (1.5–16 mm ²)	82 A	1.2 Nm	0.061	100	6418677163104
KN2.8	Cu 8 x (1.5–16 mm ²)	82 A	1.2 Nm	0.070	100	6418677163111
PM58	Support for busbar KN2.x			0.003	200	6418677163128

Terminal saddles



PPK9

Product code	Description	Weight (kg)	Package size (pcs)	GTIN-13
PPK28	Cu 1,5–25 mm ²	0.002	100	6418677166853
PPK9	Cu 1,5–35 mm ²	0.003	100	6418677166860
PPK2	Cu 6–70 mm ²	0.009	100	6418677166877
PSS63	Cu 16–185 mm ²	0.064	10	6418677182068

Pillar terminals

Product code	Description	Tightening torque	Screw head	Weight (kg)	Package size (pcs)	GTIN-13
KJ25	Cu 1–6 mm ² , width 6 mm	0.8 Nm	+/-	0.004	200	6418677163135
KJ25.1	Cu 1–6 mm ² , with wire protection, width 6 mm	0.8 Nm	+/-	0.004	200	6418677163142
KJ18	Cu 1.5–16 mm ² , width 9 mm	2 Nm	+/-	0.007	100	6418677163173
KJ18.1	Cu 1.5–16 mm ² , with wire protection, width 9 mm	2 Nm	+/-	0.007	100	6418677171505
KJ20	Cu 2.5–35 mm ² , width 13 mm	4 Nm	PH2	0.011	200	6418677163425
KJ20.1	Cu 2.5–35 mm ² , width 13 mm, for hexagonal key	4 Nm	Hexagon 5 mm	0.012	200	6418677163043



KJ25



KJ25.1



KJ20



KJ20.1

Busbar supports




Support for 2 x 10 mm busbar with PMR117.

Product code	Description	Weight (kg)	Package size (pcs)	GTIN-13
PMR117	Support for 2 x 10 mm busbar, marked N	0.005	100	6418677163180
PMR117.1	Support for 2 x 10 mm busbar, marked PE	0.005	100	6418677163197
PMR1413	Support for 2 x 10 mm busbar	0.002	100	6418677163203
PMR1427	Support for 2 x 10 mm busbar	0.002	100	6418677163531
KJ19	Support for two 2 x 10 mm busbars, with joint	0.023	100	6418677163234
KNL2	Protective cover support for RDP6, used together with PMR117	0.004	200	6418677163241
RDP6	Protective cover, length 2000 mm	0.247	10	6418677162626

Busbars

2 x 10 mm brass busbars

	Product code	Description	Weight (kg)	Package size (pcs)	GTIN-13
	PSK20.046	Length 46 mm	0.008	100	6418677163302
	PSK20.055	Length 55 mm	0.009	100	6418677163319
	PSK20.064	Length 64 mm	0.011	100	6418677163326
	PSK20.073	Length 73 mm	0.012	100	6418677163333
	PSK20.082	Length 82 mm	0.014	100	6418677163340
	PSK20.100	Length 100 mm	0.017	100	6418677163364
	PSK20.109	Length 109 mm	0.018	100	6418677163371
	PSK20.118	Length 118 mm	0.020	100	6418677163388
	PSK20.127	Length 127 mm	0.021	100	6418677163395
	PSK20.136	Length 136 mm	0.023	100	6418677163401
	PSK20.161	Length 161 mm	0.027	100	6418677163623
	PSK20.175	Length 175 mm	0.029	100	6418677163630
	PSK152	Length 1000 mm	0.171	10	6418677163418
	PSK152.2	Length 2000 mm	0.341	10	6418677163722

PSK20.100

Other accessories

Product code	Description	Weight (kg)	Package size (pcs)	GTIN-13
PMR281	Support for 3 x 12 mm busbar	0.004	200	6418677163449
PSK131	Busbar, length 2000 mm, 3x12 mm, copper	0.630	10	6418677163456
PPK225	Earthing bar for connecting pillar terminal to mounting plate, height 24 mm	0.007	100	6418677163036



Support for 3 x 12 mm busbar, PMR281.



Busbar, copper, PSK131.



Earthing bar, PPK225.

CONDUCTORS THAT CAN BE USED WITH THE TERMINALS: NUMBER, CROSS-SECTION AND TYPE.

See more details, conductor table, page 31.

Product code	Wire type	Cross-sections of conductors (mm ²) and number of conductors/space. The conductor numbers below refer only to industrially-installed terminals.													Nominal current (A)	Nominal insulation voltage (V)	Tightening torque (Nm)		
		1.5	2.5	4	6	10	16	25	35	50	70	95	120	150				185	240
Ensto Clampo Ground N and PE terminals																			
KNA4.xx	Cu	See KJ25 and KJ18													82	500	0.8 (KJ25)/2 (KJ18)		
KN4.102...112	Cu	5	5	4	4	2	1										82	500	2
KNA5.xxx	Cu	See KJ25 and KJ18													82	500	0.8 (KJ25)/2 (KJ18)		
KN4.204...212	Cu	5	5	4	4	2	1										76	500	2
KN2.2...8	Cu	5	5	4	3	2	1	1									82		1,2
PPK28	Cu	5	5	4	3	2	1	1											
PPK9	Cu	5	5	5	5	4	2	1	1	1									
PPK2	Cu		5	5	5	5	5	3	2	1	1	1							
PSS63	Cu					5	5	4	3	2	2	1	1	1	1				
KJ25	Cu	5	3	2	2													0.8	
KJ18	Cu	5	5	4	4	2	1												2
KJ20	Cu		5	5	5	4	2	1	1										4

Ensto Clampo

conductor table 1/2

CONDUCTORS THAT CAN BE USED WITH THE TERMINALS: NUMBER, CROSS-SECTION AND TYPE.

- Nominal cross-sections are in bold type.
- Often the requirements of a specific apparatus restrict the number of conductors.
- The nominal current of the terminal must not be exceeded.
- In general, the conductors connected to one conductor space of a connector must be of the same type.
- Table values require careful installation.
- After installation, check that all conductors are pressed into a connection.
- We recommend a ferrule when using a fine stranded conductor.
- Each incoming and outgoing protection conductor in a panel must have its own separate terminal.
- The conductor numbers below refer only to industrially-installed terminals (internal connections in a panel), (SGS Fimko).

Product code	Wire type	Cross-sections of conductors (mm ²) and number of conductors/space. The conductor numbers below refer only to industrially-installed terminals.													Nominal current (A)	Nominal insulation voltage (V)	Tightening torque (Nm)		
		1.5	2.5	4	6	10	16	25	35	50	70	95	120	150				185	240
Ensto Clampo Pro universal terminals																			
KE60.x	Al	1	1	1	1	1	1										75	800	6
	Cu	3	3	3	2	1	1										82		
KE61.x	Al				1	1	1	1	1	1							145	800	4 (2,5–4 mm ²)
	Cu		3	3	3	3	2	1	1	1							160		12 (6–50 mm ²)
KE62.x	Al					1	1	1	1	1	1						220	800	20
	Cu					3	2	2	1	1	1						245		
KE63.x	Al							1	1	1	1	1	1				290	800	20 (35–95 mm ²)
	Cu							3	2	1	1	1	1				320		30 (120–150 mm ²)
KE64.x	Al							1	1	1	1	1	1	1	1		380	800	12 (35–70 mm ²)
	Cu							3	3	2	1	1	1	1	1		425		45 (95–240 mm ²)
KE65.x	Al	1	1	1	1	1	1										150	800	6
	Cu	3	3	3	2	1	1										164		
KE66.x	Al				1	1	1	1	1	1							145	800	4 (2,5–4 mm ²)
	Cu		3	3	3	3	2	1	1	1							160		12 (6–50 mm ²)
KE67.x	Al					1	1	1	1	1	1						220	800	20
	Cu					3	2	2	1	1	1						245		
KE68.x	Al							1	1	1	1	1	1				290	800	20 (35–95 mm ²)
	Cu							3	3	2	1	1	1				320		30 (120–150 mm ²)
KE69.x	Al							1	1	1	1	1	1	1	1		380	800	12 (35–70 mm ²)
	Cu							3	3	2	1	1	1	1	1		425		45 (95–240 mm ²)
KE70.x	Al								1	1	1	1	1	1	1		800	1000	35 (50–150 mm ²)
	Cu								3	3	3	2	1	1	1	1	1040		45 (185–300 mm ²)
Ensto Clampo Pro 1000 V terminals																			
KE161.x	Al				1	1	1	1	1	1							145	1000	4 Nm (2,5–4 mm ²)
	Cu		3	3	3	3	2	1	1	1							160		12 Nm (6–50 mm ²)
KE162.x	Al					1	1	1	1	1	1						220	1000	20
	Cu					3	2	2	1	1	1						245		
KE163.x	Al							1	1	1	1	1	1				290	1000	20 Nm (35–95 mm ²)
	Cu							3	2	1	1	1	1				320		30 Nm (120–150 mm ²)
KE164.x	Al							1	1	1	1	1	1	1	1		380	1000	12 (35–70 mm ²)
	Cu							3	3	2	1	1	1	1	1		425		45 (95–240 mm ²)
Ensto Clampo Pro 1000 V tapping blocks																			
KE266	Al				1	1	1	1	1	1							145	800	4 (2,5–4 mm ²)
	Cu		3	3	3	3	2	1	1	1							160		12 (6–50 mm ²)
KE267	Al					1	1	1	1	1	1						220	800	20
	Cu					3	2	2	1	1	1						245		
KE268	Al							1	1	1	1	1	1				290	800	20 (35–95 mm ²)
	Cu							3	3	2	1	1	1				320		30 (120–150 mm ²)
KE269	Al							1	1	1	1	1	1	1			380	800	12 (35–70 mm ²)
	Cu							3	3	2	1	1	1	1	1		425		45 (95–240 mm ²)

Ensto Clampo

conductor table 2/2

CONDUCTORS THAT CAN BE USED WITH THE TERMINALS: NUMBER, CROSS-SECTION AND TYPE.

Product code	Wire type	Cross-sections of conductors (mm ²) and number of conductors/space. The conductor numbers below refer only to industrially-installed terminals.														Nominal current (A)	Nominal insulation voltage (V)	Tightening torque (Nm)
		1.5	2.5	4	6	10	16	25	35	50	70	95	120	150	185			
Ensto Clampo Apparatus equipment terminals																		
KE12.12, KE12.20	Al				1	1	1	1	1	1	1						145	12
	Cu		1	1	1	1	1	1	1	1	1					160		
KE52.2	Al						1	1	1	1	1	1	1	1		270	14	
	Cu						3	2	2	1	1	1	1	1				
KE53.2	Al								1	1	1	1	1	1	1	320	14 (35-95 mm ²) 24 (120-150 mm ²)	
	Cu								3	2	1	1	1	1	1			
KE54.2	Al								1	1	1	1	1	1	1	1	425	12 (35-70 mm ²) 40 (95-240 mm ²)
	Cu								3	3	2	1	1	1	1	1		
Ensto Clampo Tap tapping terminals																		
KF7.70	Cu				7	7	6	4	4	2	2	1				192	750	4
KF8.70	Cu				7	7	6	4	4	2	2	1				192	750	4
Ensto Clampo Compact terminal blocks																		
KR5031/5121	Cu	1														17,5	450	0,4
KR8031...8121	Cu	3	2	1	1											41	450	0,8
KR10021/10031	Cu				1	1	1									82	500	2,5
Ensto Clampo Eurostrips																		
KA / KB16.12	Cu	1														15	450	0,3 - 0,5
KA / KB17.12	Cu	1														15	450	0,3 - 0,5
KA / KB241.12	Cu	1	1	1												30	450	0,4 - 0,6
KA / KB242.12	Cu	1	1	1												30	450	0,4 - 0,6
KA / KB460.12	Cu		1	1	1											40	450	0,6 - 0,8
KA / KB463.12	Cu		1	1	1											40	450	0,6 - 0,8
KA / KB612.12	Cu				1	1	1									65	750	1,8 - 2,0
Ensto Clampo Wire connectors																		
AL2.12	Cu		4	3	2											41	450	1,8 - 2,0
AL13	Cu			4	3	2	2									76	450	2,5 - 2,7
KD160.01	Cu	3	2	1												24	450	1,2 - 1,4
KD160.12	Cu	3	2	1												24	450	1,2 - 1,4
Ensto Clampo Ground N and PE terminals																		
KNA4.xx	Cu	See KJ25 and KJ18														82	500	0,8 (KJ25)/2 (KJ18)
KN4.102...112	Cu	5	5	4	4	2	1									82	500	2
KNA5.xxx	Cu	See KJ25 and KJ18														82	500	0,8 (KJ25)/2 (KJ18)
KN4.204...212	Cu	5	5	4	4	2	1									76	500	2
KN2.2...8	Cu	5	5	4	3	2	1	1								82		1,2
PPK28	Cu	5	5	4	3	2	1	1								82		
PPK9	Cu	5	5	5	5	4	2	1	1	1						135		
PPK2	Cu		5	5	5	5	5	3	2	1	1	1				270		
PSS63	Cu						5	5	4	3	2	2	1	1	1	535		
KJ25	Cu	5	3	2	2											33		0,8
KJ18	Cu	5	5	4	4	2	1									82		2
KJ20	Cu		5	5	5	4	2	1	1							135		4



Ensto Compact Load break switches

Our range of load break switches consists of three-pole switch disconnectors, additional poles and accessories. The switches are certified according to EN 60947-3.

BENEFITS:

- Combined switch and disconnector
- Designed and tested to work as a disconnector
- Load break switch for demanding use
- Suitable for overvoltage category IV

Ensto Compact switch disconnectors

Rotary switches from 16 A to 125 A



ENSTO COMPACT SWITCH DISCONNECTORS IN BRIEF:

- The frame of the 16 – 63 A switches is only two modules wide, 63 A – 125 A with a width of three modules
- The series also includes:
 - Direct door mounted switches
 - Switches with factory-mounted neutral pole
- Wide range of accessories available (including e.g. 4th pole, switched neutral pole, auxiliary contact, handle, changeover mechanism)
- Compact in size
- Advanced design with two frame sizes
- Handle padlockable in 0-position

Conformity	
Standards	
EN IEC 60947-3	
Technical information	
Nominal current range:	16 – 125 A
Cross-section range:	Cu 1,5 – 50 mm ²
Nominal insulation voltage:	800 V
Mechanical features	
Screw head:	+/-
Mounting:	Screws or DIN rail

Dimensional drawings, pages 55-56.

Ensto Compact switch disconnectors

Three-pole, panel and DIN rail mounted

Product code	Amperage	Conductor cross-section	Tightening torque	Mounting	Dimensions W x L x H (mm)	Weight (kg)	Package size (pcs)	GTIN-13
Three-pole with direct handle								
KS3.16	3 x 16 A	Cu 1,5–16 mm ²	2 Nm	Din rail/screw	36 x 81 x 76	0.133	50	6418677171345
KS3.20	3 x 20 A	Cu 1,5–16 mm ²	2 Nm	Din rail/screw	36 x 81 x 76	0.133	50	6418677171352
KS3.25	3 x 25 A	Cu 1,5–16 mm ²	2 Nm	Din rail/screw	36 x 81 x 76	0.133	50	6418677170003
KS3.32	3 x 32 A	Cu 1,5–16 mm ²	2 Nm	Din rail/screw	36 x 81 x 76	0.133	50	6418677171420
KS3.40	3 x 40 A	Cu 1,5–16 mm ²	2 Nm	Din rail/screw	36 x 81 x 76	0.133	50	6418677170010
KS3.63	3 x 63 A	Cu 1,5–16 mm ²	2 Nm	Din rail/screw	36 x 81 x 76	0.133	50	6418677170027
KSM3.63	3 x 63 A	Cu 10–50 mm ²	4 Nm	Din rail/screw	52 x 100 x 80	0.266	50	6418677169748
KSM3.80	3 x 80 A	Cu 10–50 mm ²	4 Nm	Din rail/screw	52 x 100 x 80	0.266	50	6418677169755
KSM3.100	3 x 100 A	Cu 10–50 mm ²	4 Nm	Din rail/screw	52 x 100 x 80	0.266	50	6418677169762
KSM3.125	3 x 125 A	Cu 10–50 mm ²	4 Nm	Din rail/screw	52 x 100 x 80	0.266	50	6418677169779
Three-pole, yellow with red handle								
KS3.16RY	3 x 16 A	Cu 1,5–16 mm ²	2 Nm	Din rail/screw	36 x 81 x 76	0.133	50	6418677171444
KS3.20RY	3 x 20 A	Cu 1,5–16 mm ²	2 Nm	Din rail/screw	36 x 81 x 76	0.133	50	6418677171451
KS3.25RY	3 x 25 A	Cu 1,5–16 mm ²	2 Nm	Din rail/screw	36 x 81 x 76	0.133	50	6418677171468
KS3.32RY	3 x 32 A	Cu 1,5–16 mm ²	2 Nm	Din rail/screw	36 x 81 x 76	0.133	50	6418677171475
KS3.40RY	3 x 40 A	Cu 1,5–16 mm ²	2 Nm	Din rail/screw	36 x 81 x 76	0.133	50	6418677171482
KS3.63RY	3 x 63 A	Cu 1,5–16 mm ²	2 Nm	Din rail/screw	36 x 81 x 76	0.133	50	6418677171499
KSM3.63RY	3 x 63 A	Cu 10–50 mm ²	4 Nm	Din rail/screw	52 x 100 x 80	0.266	50	6418677169847
KSM3.80RY	3 x 80 A	Cu 10–50 mm ²	4 Nm	Din rail/screw	52 x 100 x 80	0.266	50	6418677169854
KSM3.100RY	3 x 100 A	Cu 10–50 mm ²	4 Nm	Din rail/screw	52 x 100 x 80	0.266	50	6418677169861
KSM3.125RY	3 x 125 A	Cu 10–50 mm ²	4 Nm	Din rail/screw	52 x 100 x 80	0.266	50	6418677169878
Three-pole without handle								
KS31.16	3 x 16 A	Cu 1,5–16 mm ²	2 Nm	Din rail/screw	36 x 81 x 70	0.129	50	6418677171284
KS31.20	3 x 20 A	Cu 1,5–16 mm ²	2 Nm	Din rail/screw	36 x 81 x 70	0.129	50	6418677171291
KS31.25	3 x 25 A	Cu 1,5–16 mm ²	2 Nm	Din rail/screw	36 x 81 x 70	0.129	50	6418677171307
KS31.32	3 x 32 A	Cu 1,5–16 mm ²	2 Nm	Din rail/screw	36 x 81 x 70	0.129	50	6418677171314
KS31.40	3 x 40 A	Cu 1,5–16 mm ²	2 Nm	Din rail/screw	36 x 81 x 70	0.129	50	6418677171321
KS31.63	3 x 63 A	Cu 1,5–16 mm ²	2 Nm	Din rail/screw	36 x 81 x 70	0.129	50	6418677171338
KSM31.63	3 x 63 A	Cu 10–50 mm ²	4 Nm	Din rail/screw	52 x 100 x 70	0.260	50	6418677169700
KSM31.80	3 x 80 A	Cu 10–50 mm ²	4 Nm	Din rail/screw	52 x 100 x 70	0.260	50	6418677169717
KSM31.100	3 x 100 A	Cu 10–50 mm ²	4 Nm	Din rail/screw	52 x 100 x 70	0.260	50	6418677169724
KSM31.125	3 x 125 A	Cu 10–50 mm ²	4 Nm	Din rail/screw	52 x 100 x 70	0.260	50	6418677169731



KSM3.63



KS3.16RY



Ensto Compact switch disconnectors

Three-pole with factory-mounted switched neutral pole and handle



Product code	Amperage	Conductor cross-section	Tightening torque	Mounting	Dimensions W x L x H (mm)	Weight (kg)	Package size (pcs)	GTIN-13
KS3.40N	3 x 40 A	Cu 1,5-16 mm ²	2 Nm	Din rail/screw	49 x 81 x 76	0,177	50	6438100099343
KS3.63N	3 x 63 A	Cu 1,5-16 mm ²	2 Nm	Din rail/screw	49 x 81 x 76	0,177	50	6438100099350
KSM3.80N	3 x 80 A	Cu 10-50 mm ²	4 Nm	Din rail/screw	70 x 100 x 80	0,362	50	6438100099381
KSM3.100N	3 x 100 A	Cu 10-50 mm ²	4 Nm	Din rail/screw	70 x 100 x 80	0,362	50	6438100099398

Ensto Compact switch disconnectors, three-pole, panel and DIN rail mounted with pre-assembled conductors



Product code	Amperage (A)	Conductor cross-section (mm ²)	Tightening torque	Mounting	Dimensions W x L x H (mm)	Weight (kg)	Package size (pcs)	GTIN-13
KS3.25C	3 x 25 A	Cu 1,5-16 mm ²	2 Nm	Din rail/screw	36 x 81 x 76	0,175	50	-
KS3.40C	3 x 40 A	Cu 1,5-16 mm ²	2 Nm	Din rail/screw	36 x 81 x 76	0,175	50	-

Ensto Compact switch disconnectors, fourth pole



Product code	Amperage	Conductor cross-section (mm ²)	Tightening torque	Mounting	Dimensions W x L x H (mm)	Weight (kg)	Package size (pcs)	GTIN-13
KS1.16	16 A	Cu 1,5-16 mm ²	2 Nm	Din rail/screw	13 x 71,5 x 55,3	0,046	50	6418677171253
KS1.20	20 A	Cu 1,5-16 mm ²	2 Nm	Din rail/screw	13 x 71,5 x 55,3	0,046	50	6418677171260
KS1.25	25 A	Cu 1,5-16 mm ²	2 Nm	Din rail/screw	13 x 71,5 x 55,3	0,046	50	6418677170065
KS1.32	32 A	Cu 1,5-16 mm ²	2 Nm	Din rail/screw	13 x 71,5 x 55,3	0,046	50	6418677171277
KS1.40	40 A	Cu 1,5-16 mm ²	2 Nm	Din rail/screw	13 x 71,5 x 55,3	0,046	50	6418677170072
KS1.63	63 A	Cu 1,5-16 mm ²	2 Nm	Din rail/screw	13 x 71,5 x 55,3	0,046	50	6418677170089
KSM1.63	63 A	Cu 10-50 mm ²	4 Nm	Din rail/screw	17,5 x 83 x 62	0,095	50	6418677169786
KSM1.80	80 A	Cu 10-50 mm ²	4 Nm	Din rail/screw	17,5 x 83 x 62	0,095	50	6418677169793
KSM1.100	100 A	Cu 10-50 mm ²	4 Nm	Din rail/screw	17,5 x 83 x 62	0,095	50	6418677169809
KSM1.125	125 A	Cu 10-50 mm ²	4 Nm	Din rail/screw	17,5 x 83 x 62	0,095	50	6418677169816

Additional poles

Product code	Description	Amperage (A)	Tightening torque (Nm)	Weight (kg)	Package size (pcs)	GTIN-13
Switched neutral poles						
KS1N	For KS3- and KS31 switches	Max. 63 A	2 Nm	0.046	50	6438100094300
KSM1N	For KSM switch	Max. 125 A	4 Nm	0.095	50	6438100094324
Fixed neutral poles						
KSN1	For KS3- and KS31 switches	Max. 63 A	2 Nm	0.042	50	6418677170126
KSMN1	For KSM switch	Max. 125 A	4 Nm	0.087	50	6418677169823
Fixed PE poles						
KSP1	For KS3- and KS31 switches	Max. 63 A	2 Nm	0.042	50	6418677170140
KSMP1	For KSM switch	Max. 125 A	4 Nm	0.087	50	6418677169830
Standard auxiliary contact						
KSA1	NO+NC auxiliary contact 16 A for 16-125 A switches	16 A	2 Nm	0.051	50	6418677170164



Switched neutral pole, KS1N.



Fixed neutral pole, KSN1.



Fixed PE pole KSP1.



Standard auxiliary contact, KSA1.

Handles



Small direct handle for KS switch, PMR241B.

Product code	Description	Weight (kg)	Package size (pcs)	GTIN-13
Direct handles				
PMR241B	Direct handle for KS switch	0.005	100	6418677171437
PMR301B	Direct handle for KSM switch	0.006	100	6418677169915
External handles				
KSH48	Padlockable, IP65, yellow with red handle, 0 OFF 1 ON	0.043	100	6418677170195
KSH48.01	Padlockable, IP65, black, 0 OFF 1 ON	0.043	100	6418677170201



External handle, padlockable, KSH48.



External handle, padlockable, KSH48.01.

Extension shafts



KS23.055

Product code	Description	Weight (kg)	Package size (pcs)	GTIN-13
KS23.055	55 mm for KSH29, KSH48 and KSH75 handles	0.014	100	6418677170232
KS23.090	90 mm for KSH29, KSH48 and KSH75 handles	0.021	100	6418677170256
KS23.150	150 mm for KSH29, KSH48 and KSH75 handles	0.032	100	6418677170263
KS23.200	200 mm for KSH29, KSH48 and KSH75 handles	0.042	100	6418677170270
KS23.300	300 mm for KSH29, KSH48 and KSH75 handles	0.061	100	6418677170287

Terminal shrouds



Terminal shroud for KS1 and KS11 poles, PMR121.

Product code	Description	Weight (kg)	Package size (pcs)	GTIN-13
PMR121	Terminal shroud for KS1 and KS11 poles	0.004	100	6418677171598
PMR123	Terminal shroud for KS3, KS31 and KS13 switch	0.008	100	6418677171604
PMR111	Terminal shroud for KSM1 pole	0.006	100	6418677171611
PMR113	Terminal shroud for KSM3 and KSM31 switch	0.013	100	6418677171628



Terminal shroud for KS3, KS31 and KS13 switch, PMR123.

Ensto Compact switch disconnectors

Three-pole, direct door mounted



KS13.16

Product code	Amperage	Conductor cross-section	Tightening torque	Mounting	Dimensions W x L x H (mm)	Weight (kg)	Package size (pcs)	GTIN-13
KS13.16	3 x 16 A	Cu 1.5-16 mm ²	2 Nm	Din rail/screw	39,4 x 80 x 72	0.149	50	6418677171161
KS13.20	3 x 20 A	Cu 1.5-16 mm ²	2 Nm	Din rail/screw	39,4 x 80 x 72	0.149	50	6418677171178
KS13.25	3 x 25 A	Cu 1.5-16 mm ²	2 Nm	Din rail/screw	39,4 x 80 x 72	0.149	50	6418677170034
KS13.32	3 x 32 A	Cu 1.5-16 mm ²	2 Nm	Din rail/screw	39,4 x 80 x 72	0.149	50	6418677171246
KS13.40	3 x 40 A	Cu 1.5-16 mm ²	2 Nm	Din rail/screw	39,4 x 80 x 72	0.149	50	6418677170041
KS13.63	3 x 63 A	Cu 1.5-16 mm ²	2 Nm	Din rail/screw	13 x 71,5 x 55,3	0.149	50	6418677170058

Ensto Compact switch disconnectors

Fourth pole



KS11.16

Product code	Amperage	Conductor cross-section	Tightening torque	Mounting	Dimensions W x L x H (mm)	Weight (kg)	Package size (pcs)	GTIN-13
KS11.16	16 A	Cu 1.5-16 mm ²	2 Nm	Din rail/screw	13 x 71.5 x 55.3	0.045	50	6418677171130
KS11.20	20 A	Cu 1.5-16 mm ²	2 Nm	Din rail/screw	13 x 71.5 x 55.3	0.045	50	6418677171147
KS11.25	25 A	Cu 1.5-16 mm ²	2 Nm	Din rail/screw	13 x 71.5 x 55.3	0.045	50	6418677170096
KS11.32	32 A	Cu 1.5-16 mm ²	2 Nm	Din rail/screw	13 x 71.5 x 55.3	0.045	50	6418677171154
KS11.40	40 A	Cu 1.5-16 mm ²	2 Nm	Din rail/screw	13 x 71.5 x 55.3	0.045	50	6418677170102
KS11.63	63 A	Cu 1.5-16 mm ²	2 Nm	Din rail/screw	13 x 71.5 x 55.3	0.045	50	6418677170119

Accessories



KSH48.01

Product code	Description	Amperage	Tightening torque	Weight (kg)	Package size (pcs)	GTIN-13
Additional poles						
KS11N	Switched neutral pole	Max. 63 A	2 Nm	0.046	50	6438100094317
KSN11	Fixed neutral pole	Max. 63 A	2 Nm	0.042	50	6418677170133
KSP11	Fixed PE pole	Max. 63 A	2 Nm	0.042	50	6418677170157
KSA11	NO+NC auxiliary contact	16 A	2 Nm	0.051	50	6418677170171
Handles						
KSH48	Padlockable, IP65, yellow with red handle, 0 OFF 1 ON			0.043	100	6418677170195
KSH48.01	Padlockable, IP65, black, 0 OFF 1 ON			0.043	100	6418677170201
Terminal shrouds						
PMR121	Terminal shroud for KS1 and KS11 poles			0.004	100	6418677171598
PMR123	Terminal shroud for KS3, KS31 and KS13 switch			0.008	100	6418677171604

Electrical and mechanical characteristics

According to EN 60947-3

		KS3.16 KS3.20 KS3.25 KS3.32 KS3.40 KS3.63								
		3-pole	KS31.16	KS31.20	KS31.25	KS31.32	KS31.40	KS3.40N	KS31.63	KS3.63N
			KS13.16	KS13.20	KS13.25	KS13.32	KS13.40	KS13.63		
4th pole	KS11.16	KS11.20	KS11.25	KS11.32	KS11.40	KS11.63		KS1N		
									KS11N	
Conventional free air thermal current I_{th}	A	16	20	25	32	40	40	63	63	63
Conventional enclosed thermal current I_{the}	A	16	20	35	32	40	63			
Insulating enclosure size	mm	125 x 125 x 100 mm								
Rated insulation voltage U_i	V	800	800	800	800	800	800	800	800	800
Rated impulse withstand voltage U_{imp}	kV	8	8	8	8	8	6	8	6	6
Rated operational current I_e 415V	A	16	20	25	32	40	40	63	63	63
AC 21 A	500V	A	16	20	25	32	40	40	63	63
	690V	A	16	20	25	32	40	40	63	63
AC 22 A	415V	A	16	20	25	32	40	40	63	63
	500V	A	16	20	25	32	40	40	63	63
	690V	A	16	20	25	32	40	40	63	63
AC 23 A	415V	A	16	20	25	32	40	40	63	63
	500V	A	16	20	25	32	40	40	40	40
	690V	A	16	20	25	25	25	25	25	25
Rated operational power P_e 415V	kW	7,5	7,5	11	15	18,5	18,5	30	30	30
AC 23 A	500V	kW	7,5	11	15	18,5	22	22	22	22
(for standard motor)	690V	kW	11	15	22	22	22	22	22	22
Short-circuit characteristics (415 VAC)										
Rated short-time withstand current, 1s, I_{cw}	A_{rms}	1260	1260	1260	1260	1260	1260	1260	1260	1260
Rated conditional short-circuit current, free air	kA_{rms}	50	50	50	50	50	50	20/50	20/50	20/50
Rated conditional short-circuit current, enclosed	kA_{rms}	20	20	20	20	20	20			
Max. fuse (gG)	A	16	20	25	32	40	40	63/40	63/40	63/40
Max. cut-off current	kA_{peak}	6	6	6	6	6	6	6/6	6/6	6/6
Max. Joule integral	kA^2s	6,8	6,8	6,8	6,8	6,8	6,8	15/6,8	15/6,8	15/6,8
Making and breaking characteristics										
Making capacity 415V AC 23 A	A	160	200	250	320	400	400	630	630	630
Breaking capacity 415V AC 23 A	A	128	160	200	256	320	320	504	504	504
Endurance (number of operations)										
Mechanical		100 000	100 000	100 000	100 000	100 000	100 000	100 000	100 000	100 000
Electrical		3 000	3 000	3 000	3 000	3 000	3 000	3 000	3 000	3 000
Terminals (Cu)	mm ²	1,5-16	1,5-16	1,5-16	1,5-16	1,5-16	1,5-16	1,5-16	1,5-16	1,5-16
Tightening torque	Nm	2	2	2	2	2	2	2	2	2

		KSM3.63 KSM3.80 KSM3.80N KSM3.100							KSM3.125	
		3-pole	KSM31.63	KSM31.80	KSM31.100		KSM3.100N	KSM31.125		
			KSM1.63 KSM1.80		KSM1.100			KSM1N	KSM1.125	
4th pole										
	Conventional free air thermal current I_{th}	A	63	80	80	100	100	100	100	125
Rated insulation voltage U_i	V	800	800	800	800	800	800	800	800	
Rated impulse withstand voltage U_{imp}	kV	8	8	6	8	6	6	8		
Rated operational current I_e 415V	A	63	80	80	100	100	100	125		
AC 21 A	500V	A	63	80	80	100	100	125		
	690V	A	63	80	80	100	100	125		
AC 22 A	415V	A	63	80	80	100	100	125		
	500V	A	63	80	80	100	100	125		
	690V	A	63	80	80	100	100	100		
AC 23 A	415V	A	63	80	80	80	80	80		
	500V	A	63	63	63	63	63	63		
	690V	A	50	50	50	50	50	50		
Rated operational power P_e 415V	kW	30	45	45	45	45	45	45		
AC 23 A	500V	kW	37	37	37	37	37	37		
(for standard motor)	690V	kW	45	45	45	45	45	45		
Short-circuit characteristics (415 VAC)										
Rated short-time withstand current, 1s, I_{cw}	A_{rms}	1500	1500	1500	1500	1500	1500	1500		
Rated conditional short-circuit current	kA_{rms}	25	25	25	25	25	25	11		
Max. fuse (gG)	A	63	80	80	100	100	100	125		
Max. cut-off current	kA_{peak}	9	9	9	9	9	9	9		
Max. Joule integral	kA^2s	49,8	49,8	49,8	49,8	49,8	49,8	83		
Making and breaking characteristics										
Making capacity 415V AC 23 A	A	630	800	800	800	800	800	800		
Breaking capacity 415V AC 23 A	A	504	640	640	640	640	640	640		
Endurance (number of operations)										
Mechanical		30 000	30 000	30 000	30 000	30 000	30 000	30 000		
Electrical		1 500	1 500	1 500	1 500	1 500	1 500	1 500		
Terminals (Cu)	mm ²	10-50	10-50	10-50	10-50	10-50	10-50	10-50		
Tightening torque	Nm	4	4	4	4	4	4	4		



Ensto DII and DIII Fuse-bases

Our range of fuse-bases covers ceramic single fuse-bases and fuse blocks suitable for D-type (Diazed) fuses of sizes DII and DIII. The fuse-bases are certified according to standards EN 60269-1 and HD 60269-3.

BENEFITS:

- High breaking capacity
- Reliable isolation
- Flexibility
- Good selectivity

Fuse-bases

25 and 63 A



FUSE-BASES IN BRIEF:

- Particularly used in industrial panel building
- The range includes:
 - Traditional ceramic single fuse-bases with a 50 kA short-circuit rating
 - Fuse blocks of up to eight fuse-bases
- For Diazed fuses of sizes DII (max. 25 A) and DIII (max. 63 A)
- The series includes a range of accessories, such as covers and DIN rail clips




TECHNICAL FEATURES:

- High quality materials with a long lifetime
- Reliable structure with simplistic design
- Many versions with different positions for connection points
- Versions suitable for aluminium conductors

Conformity	
	CE
Standards	
All fuse-bases:	EN 60269-1 HD 60269-3
Technical information	
Nominal current range:	25 A ja 63 A
Nominal insulation voltage:	500 V
Material	
Housing:	Porcelain
Body:	Ni-coated brass
Mechanical features	
Screw head:	+/-
Mounting:	Screws or DIN rail

Dimensional drawings, pages 57-61.

Single fuse-bases

	Product code	Description	Weight (kg)	Package size (pcs)	GTIN-13
	Single fuse-bases, 25 A				
	KVC1.1	1 x 25 A	0.092	140	6418677160776
	KVC1.2	1 x 25 A	0.092	140	6418677160783
	KVC30	1 x 25 A fuse-base with cover	0.126	50	6418677160790
	KV25.1	1 x 25 A	0.101	140	6418677160875
	KV25.2	1 x 25 A	0.096	140	6418677160882
	KV25.211	1 x 25 A	0.102	100	6418677160905
	KV25.291	1 x 25 A	0.100	100	6418677160899
	Single fuse-bases, 63 A				
	KV63.1	1 x 63 A	0.160	100	6418677160912
	KV63.2	1 x 63 A	0.160	100	6418677160929
	KV63.211	1 x 63 A	0.156	75	6418677160936
	KV63.291	1 x 63 A	0.158	75	6418677160943
	Single fuse-bases with DIN rail fixing				
KVC1.7	1 x 25 A, with DIN rail fixing	0.100	100	6418677160950	
KV63.7	1 x 63 A, with DIN rail fixing	0.168	100	6418677160967	
	Single fuse-bases with Al/Cu terminal				
	KVC1.5	1 x 25 A, with Al/Cu terminal, max. Al 50 mm ² , Cu 35 mm ²	0.102	50	6418677160974
	KVC1.57	1 x 25 A, with DIN rail fixing and Al/Cu terminal, max. Al 50 mm ² , Cu 35 mm ²	0.114	50	6418677160981
	KV63.5	1 x 63 A, with Al/Cu terminal, max. Al 50 mm ² , Cu 35 mm ²	0.172	100	6418677160998
	KV63.57	1 x 63 A, with DIN rail fixing and Al/Cu terminal, max. Al 50 mm ² , Cu 35 mm ²	0.172	100	6418677161001



Fuse blocks



KVC461

Product code	Description	Weight (kg)	Package size (pcs)	GTIN-13
Fuse blocks, 25 A				
KVC421	2 x 25 A	0.185	70	6418677160806
KVC431	3 x 25 A	0.280	50	6418677160813
KVC441	4 x 25 A	0.360	35	6418677160820
KVC451	5 x 25 A	0.456	25	6418677160837
KVC461	6 x 25 A	0.544	25	6418677160844
KVC471	7 x 25 A	0.648	20	6418677160851
KVC481	8 x 25 A	0.726	20	6418677160868
Fuse blocks, 63 A				
KV63.421	2 x 63 A	0.306	50	6418677161018
KV63.431	3 x 63 A	0.480	35	6418677161025
KV63.441	4 x 63 A	0.645	24	6418677161032
KV63.451	5 x 63 A	0.796	24	6418677161049
KV63.461	6 x 63 A	0.950	15	6418677161056
Fuse blocks with DIN rail fixing				
KV63.721	2 x 63 A, with DIN rail fixing	0.320	50	6418677181016
KV63.731	3 x 63 A, with DIN rail fixing	0.481	35	6418677181023
KV63.741	4 x 63 A, with DIN rail fixing	0.655	24	6418677181030
KV63.751	5 x 63 A, with DIN rail fixing	0.809	24	6418677181047
KV63.761	6 x 63 A, with DIN rail fixing	0.970	15	6418677181054

Porcelain rings



Porcelain ring with slot, PR4.63.

Product code	Description	Weight (kg)	Package size (pcs)	GTIN-13
PR2.25	For 25 A fuse-base with slot	0.024	350	6418677161223
PR4.63	For 63 A fuse-base with slot	0.038	200	6418677161247
Fixing springs				
PJ3.25	For ring PR2.25	0.002	500	6418677161254
PJ4.63	For ring PR4.63	0.002	500	6418677161261

Protective covers



Protective cover for fuse blocks, PMR450.3.

Product code	Description	Weight (kg)	Package size (pcs)	GTIN-13
PMR450	50 x 45 mm, for KVC fuse blocks	0.012	50	6418677161285
PMR450.1	52.5 x 45 mm, for KVC single fuse-bases	0.013	100	6418677161292
PMR450.3	150 x 45 mm, for KVC fuse blocks	0.034	100	6418677161308
PMR595	52.5 x 45 mm, for 63 A single fuse-bases	0.011	50	6418677161315
PMR595.1	60 x 45 mm, for 63 A fuse blocks	0.011	50	6418677161322
PMR597	For 25 A, KVC1.x single fuse-bases	0.024	100	6418677161339
PMR77	For 63 A, KV single fuse-bases	0.042	50	6418677161346
PMR2	Cover for the Al/Cu terminal	0.005	10	6418677170386

Other accessories



DIN rail fixing, metallic spring, KW2.



Sealing cover, KW20.

Product code	Description	Weight (kg)	Package size (pcs)	GTIN-13
DIN rail fixings				
KW2	Metallic spring	0.006	100	6418677161360
PMR447	Plastic snap-on device, for KVC fuse-bases and blocks	0.004	100	6418677161377
PMR824	Plastic snap-on device, KW21 without screw	0.004	500	6418677161391
Sealing covers				
KW20	Sealing cover, for sealing 25 A fuse-bases	0.025	50	6418677161469

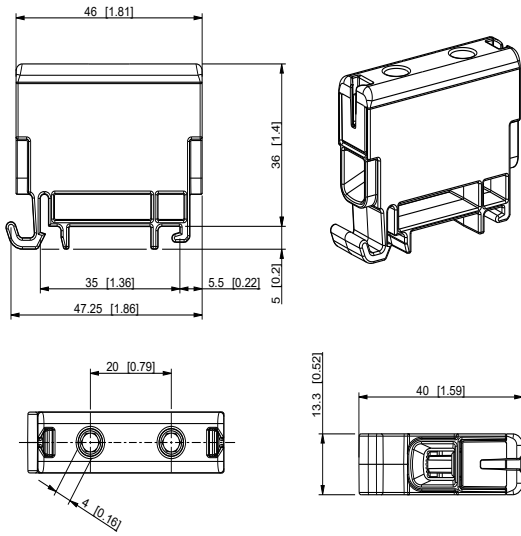
Dimensional drawings



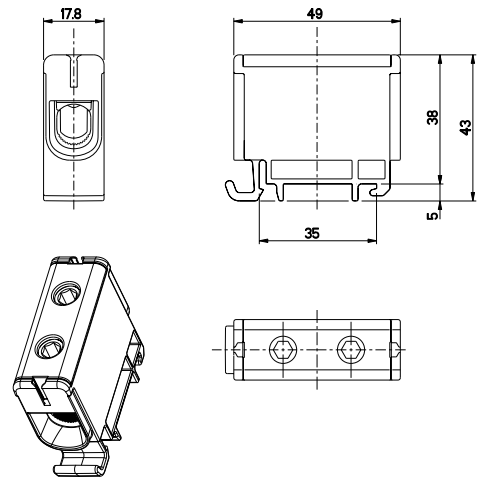
Dimensional drawings, Ensto Clampo Pro universal terminals

Dimensions in mm [inches]

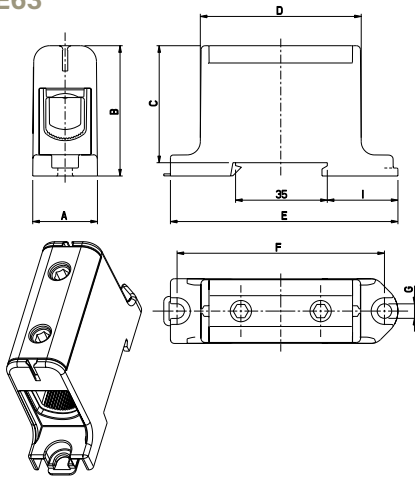
KE60



KE61

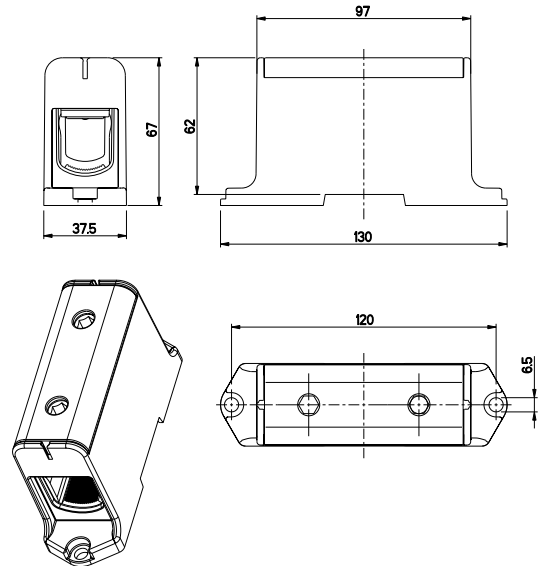


KE62, KE63

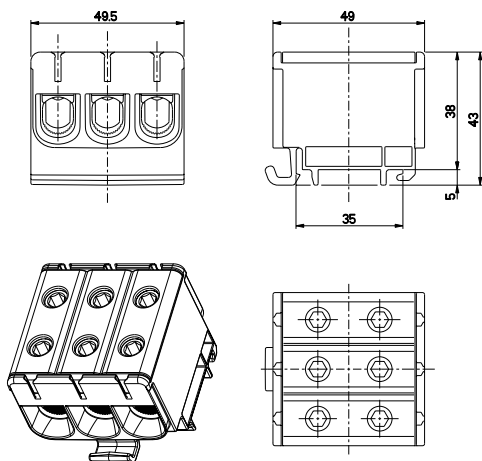


	A	B	C	D	E	F	G	I
KE62	24	49	44	60	86	78	5.5	25.5
KE63	29.5	59	54	72	95	87	5.5	34.5

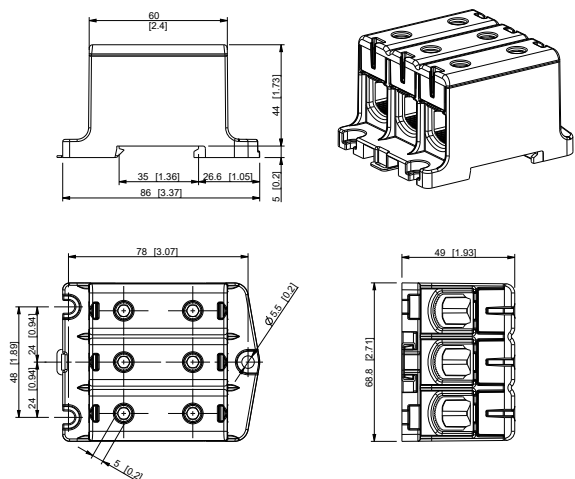
KE64



KE61.03



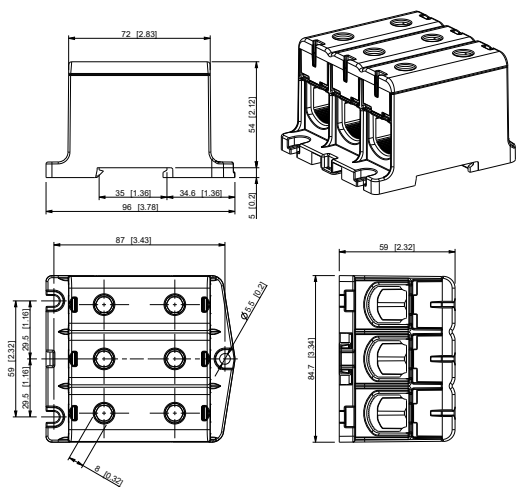
KE62.03



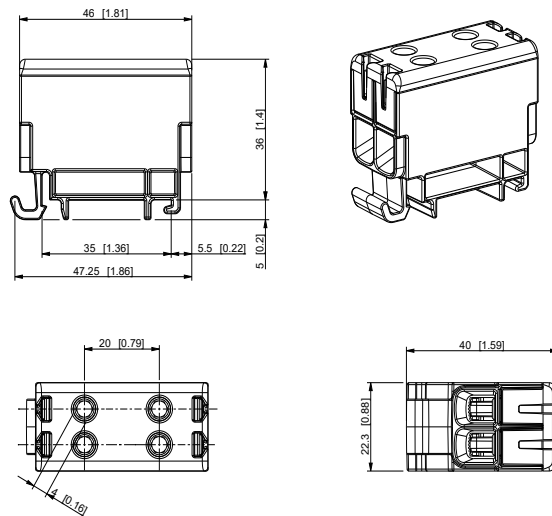
Dimensional drawings, Ensto Clampo Pro universal terminals

Dimensions in mm
[inches]

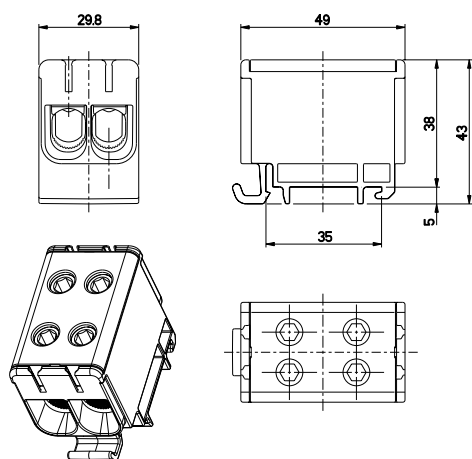
KE63.03



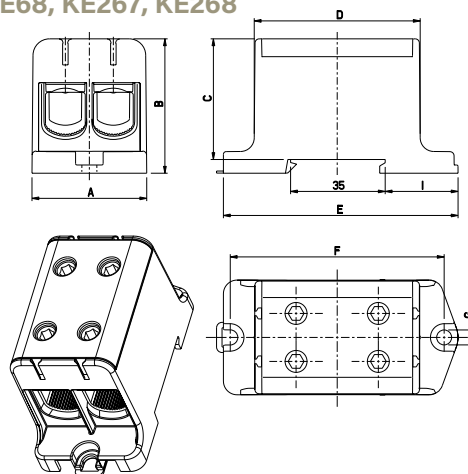
KE65



KE66, KE266

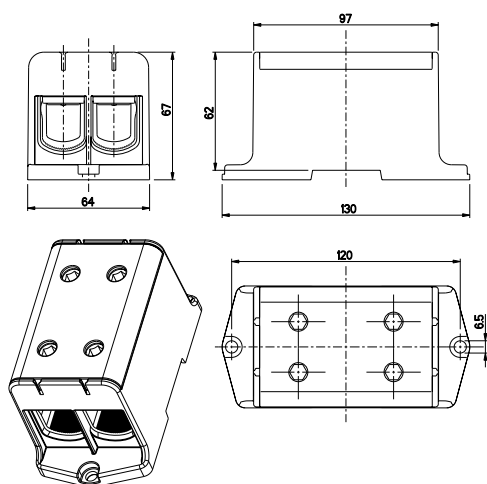


KE67, KE68, KE267, KE268

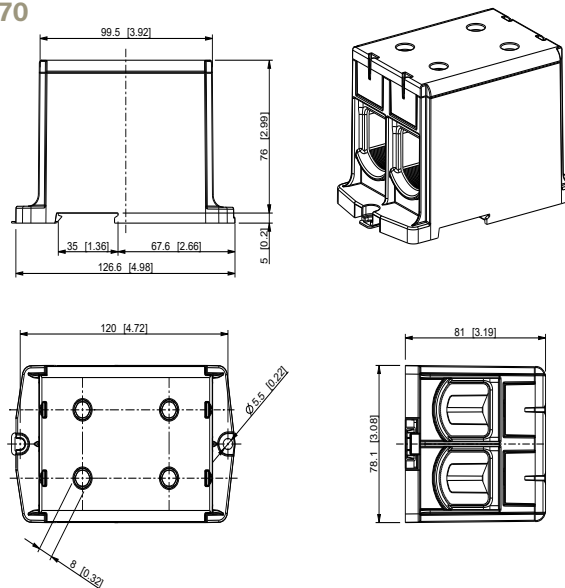


	A	B	C	D	E	F	G	I
KE67, KE267	42	49	44	60	86	78	5.5	25.5
KE68, KE268	51.5	59	54	72	95	87	5.5	34.5

KE69, KE269



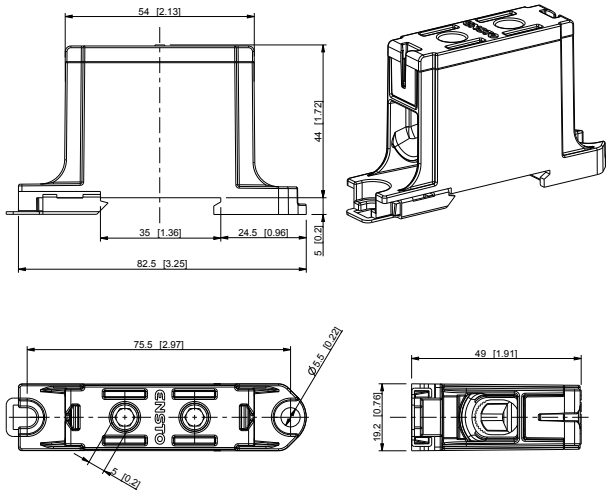
KE70



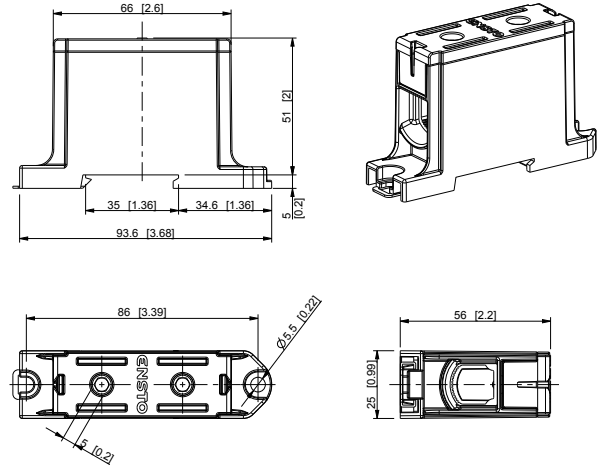
Dimensional drawings, Ensto Clampo Pro 1000 V terminals

Dimensions in mm
[inches]

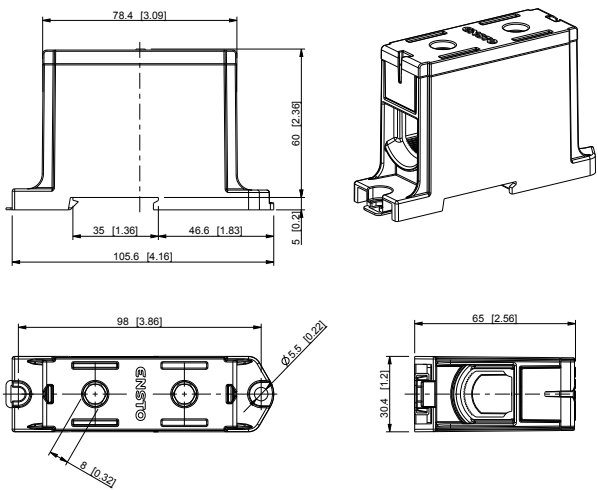
KE161



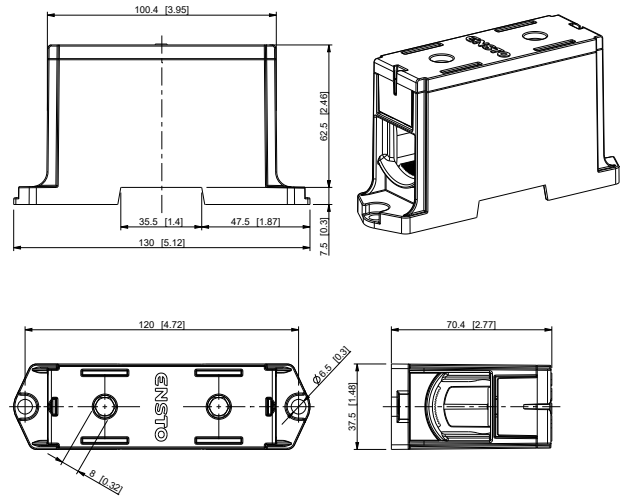
KE162



KE163



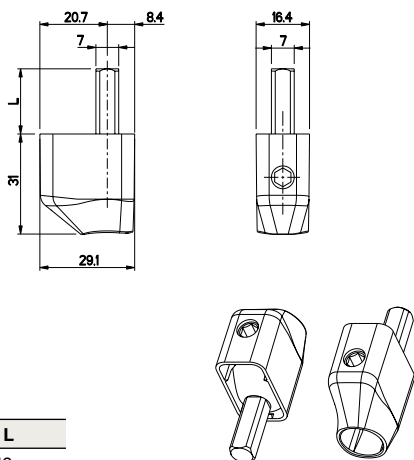
KE164



Dimensional drawings, Ensto Clampo Apparatus

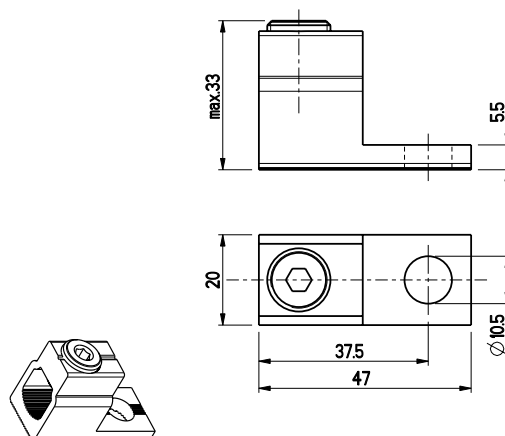
Dimensions in mm

KE12.12, KE12.20

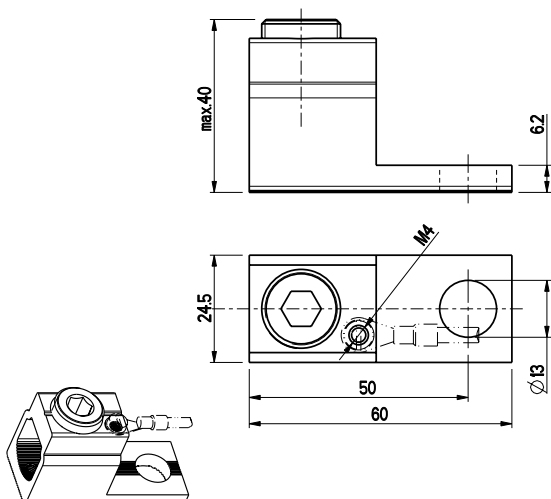


L
KE12.12 12
KE12.20 20

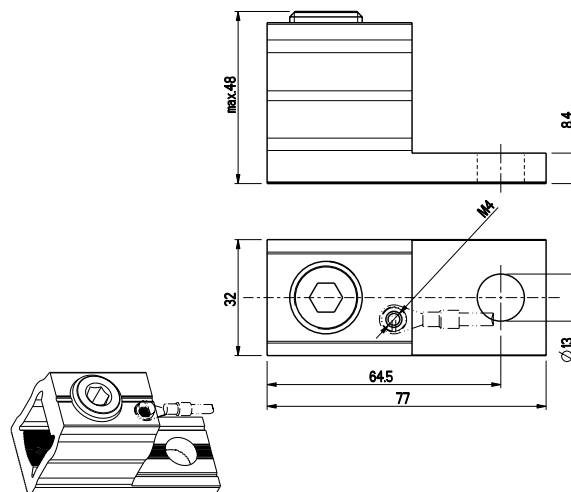
KE52.2



KE53.2

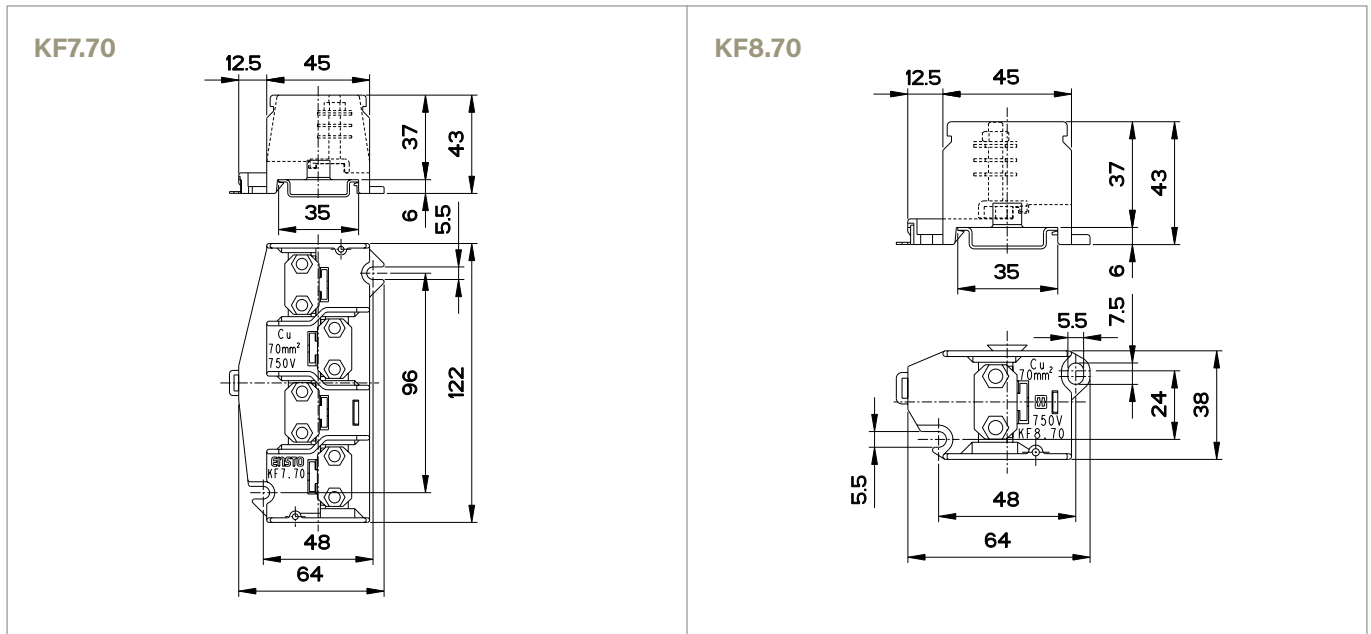


KE54.2



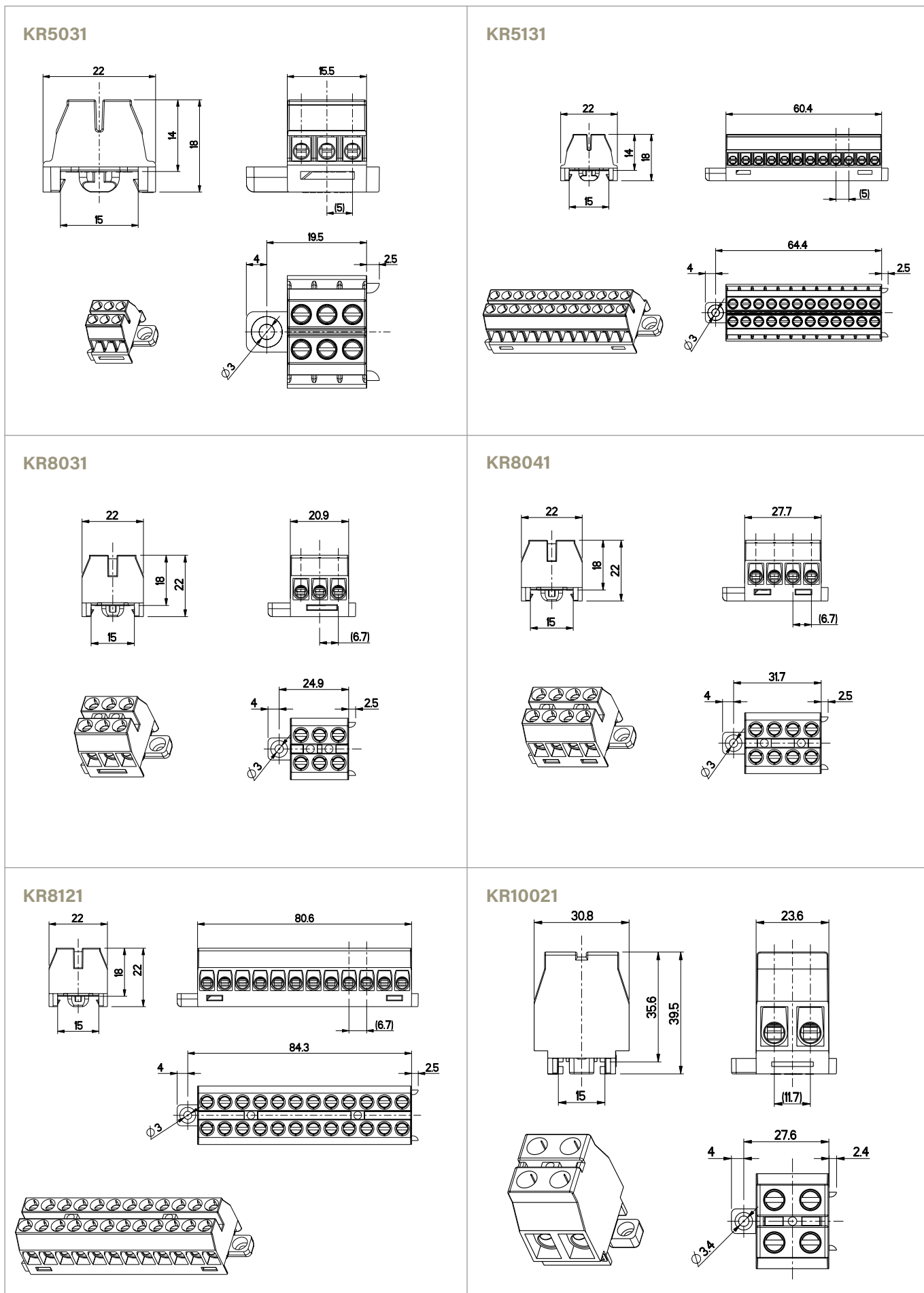
Dimensional drawings, Ensto Clampo Tap tapping terminals

Dimensions in mm



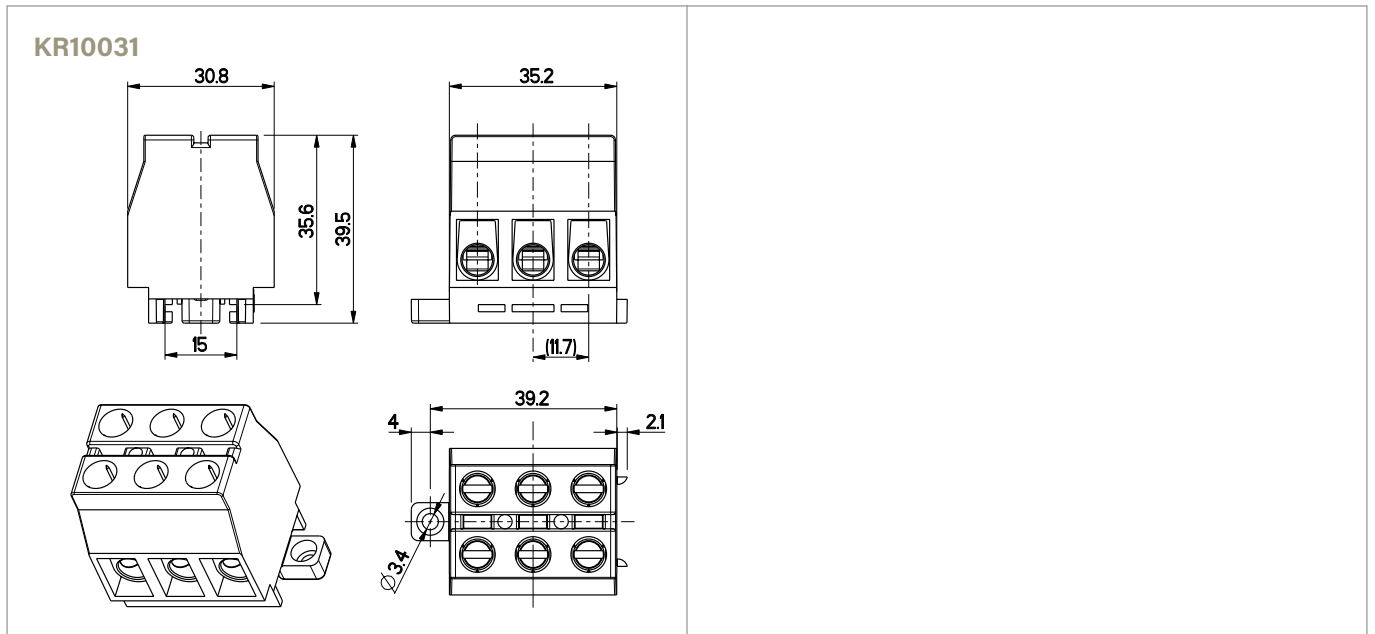
Dimensional drawings, Ensto Clampo Compact terminal blocks

Dimensions in mm



Dimensional drawings, Ensto Clampo Compact terminal blocks

Dimensions
in mm



Dimensional drawings, Ensto Clampo Eurostrips

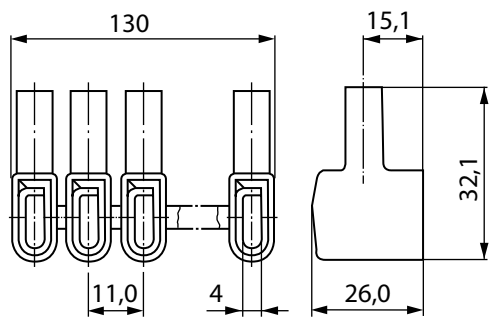
Dimensions in mm

<p>KA16.12, KB16.12</p>	<p>KA17.12, KB17.12</p>
<p>KA241.12, KB241.12</p>	<p>KA242.12, KB242.12</p>
<p>KA460.12, KB460.12</p>	<p>KA463.12, KB463.12</p>
<p>KA612.12, KB612.12</p>	

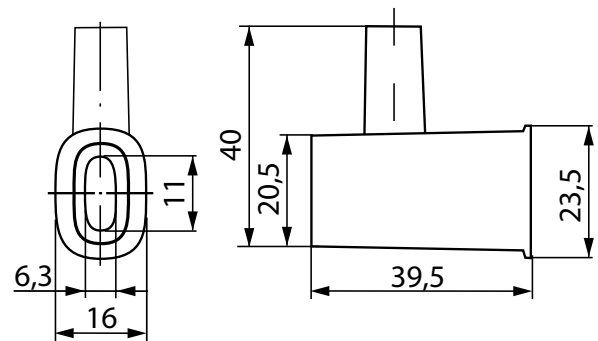
Dimensional drawings, Ensto Clampo Wire Connectors

Dimensions in mm

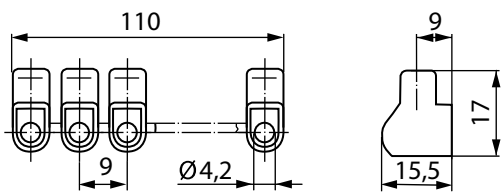
AL2.12



AL13



KD160.01, KD160.12



Dimensional drawings, Ensto Clampo Ground terminals

Dimensions in mm

KNA4.1XX

L	
KNA4.104	39,5
KNA4.106	52
KNA4.108	66
KNA4.110	82
KNA4.112	93
KNA4.114	109
KNA4.120	147

KN4.1XX

L	
KN4.102	30
KN4.104	48
KN4.106	66
KN4.108	84
KN4.110	102
KN4.112	120

KNA4.1XXP

L	
KNA4.104P	39,5
KNA4.106P	52
KNA4.108P	66
KNA4.110P	82
KNA4.112P	93
KNA4.114P	109
KNA4.120P	147

KNA5.1XX

L	
KNA5.108	93
KNA5.113	115,5
KNA5.117	140
KNA5.120	158,5
KNA5.125	204
KNA5.130	234,5
KNA5.134	259
KNA5.138	283,5

KNA4.1XXNP

L	
KNA4.108NP	66
KNA4.114NP	109
KNA4.120NP	147
KNA4.126NP	196
KNA4.136NP	256

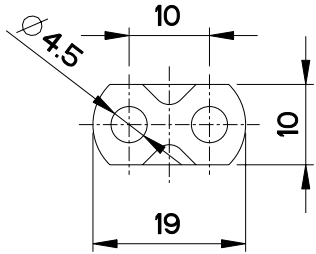
KN4.2XX

L	
KN4.204	57
KN4.206	75
KN4.208	93
KN4.210	111
KN4.212	129

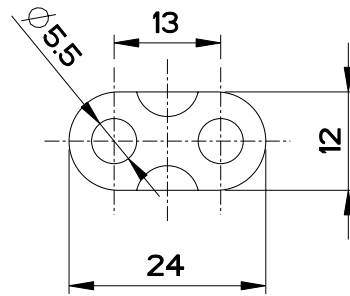
Dimensional drawings, Ensto Clampo Ground terminals

Dimensions in mm

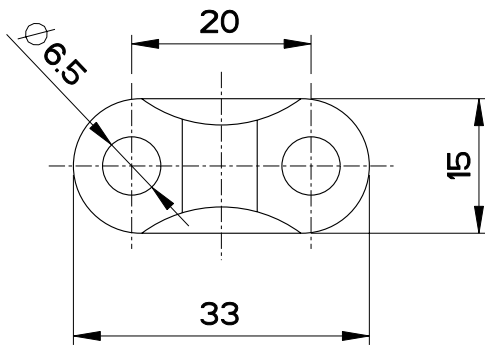
PPK28



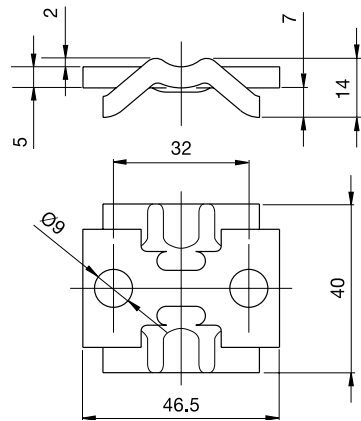
PPK9



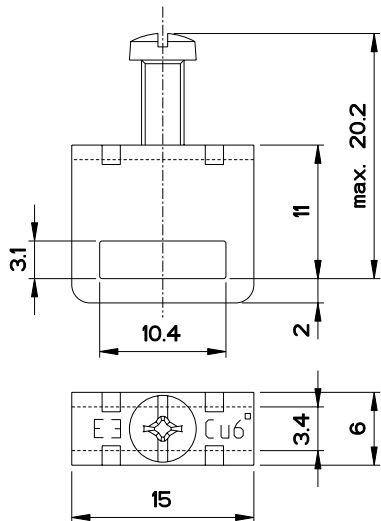
PPK2



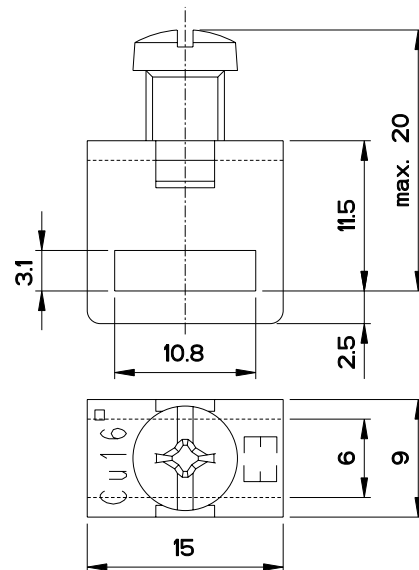
PSS63



KJ25

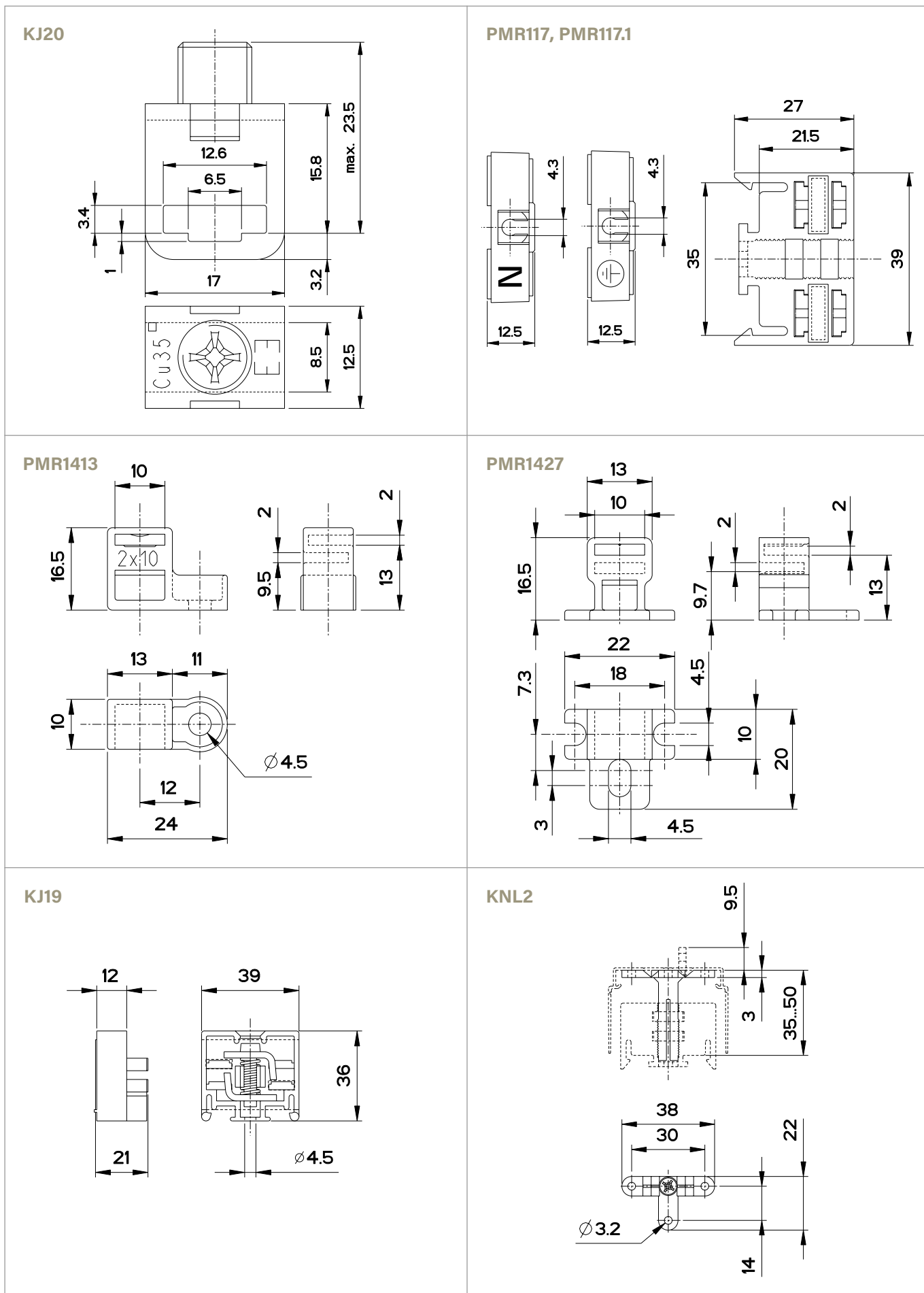


KJ18



Dimensional drawings, Ensto Clampo Ground terminals

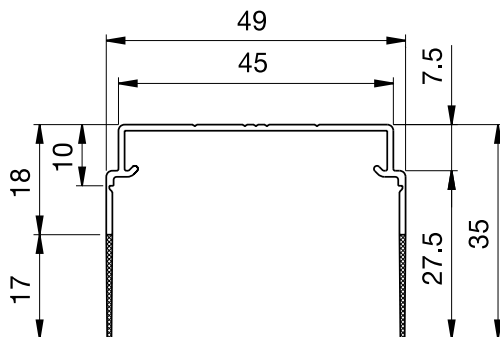
Dimensions in mm



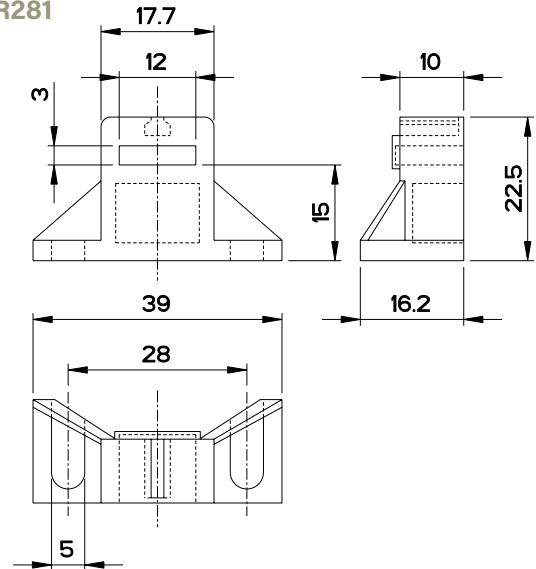
Dimensional drawings, Ensto Clampo Ground terminals

Dimensions in mm

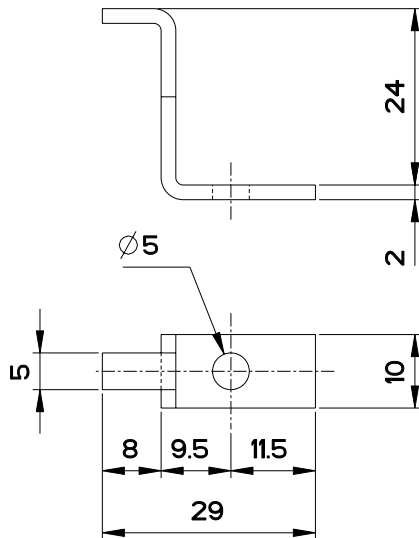
RDP6



PMR281



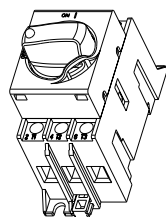
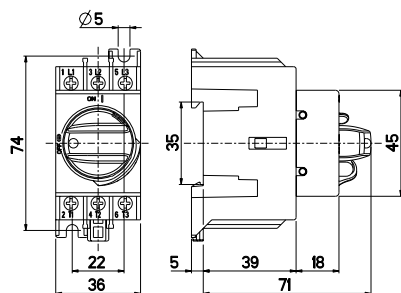
PPK225



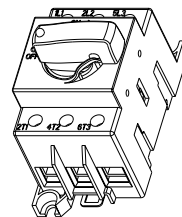
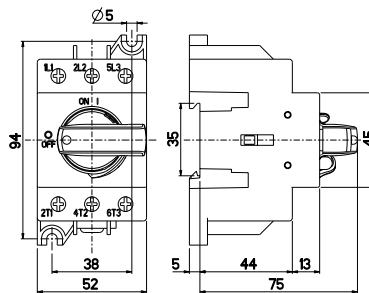
Dimensional drawings, Ensto Compact switch disconnectors

Dimensions in mm
[inches]

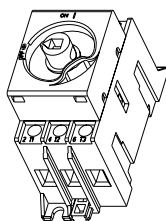
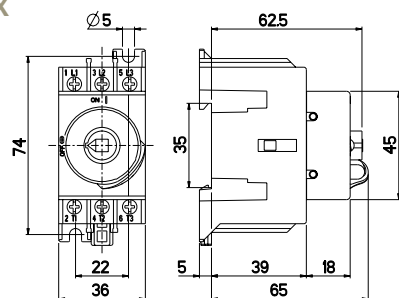
KS3.XX, KS3.XXRY



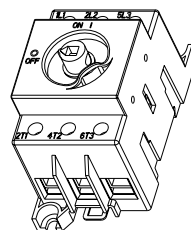
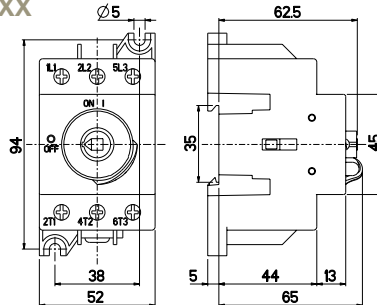
KSM3.XXX, KSM3.XXXRY



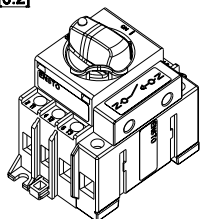
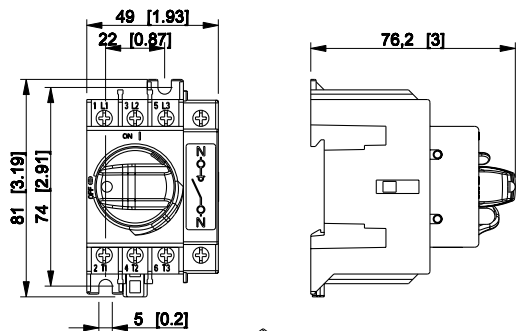
KS31.XX



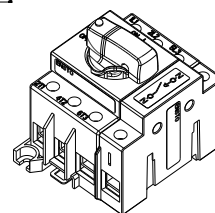
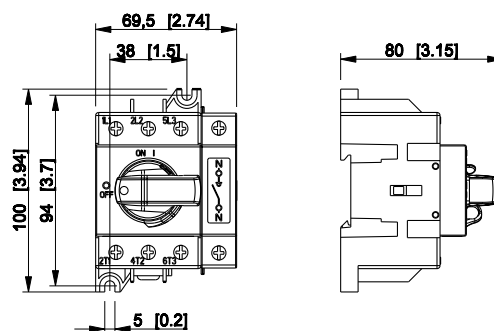
KSM31.XXX



KS3.40N, KS3.63N



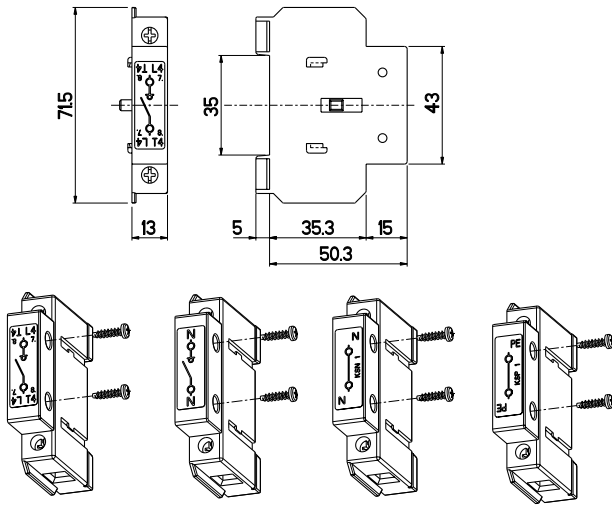
KSM3.80N, KSM3.100N



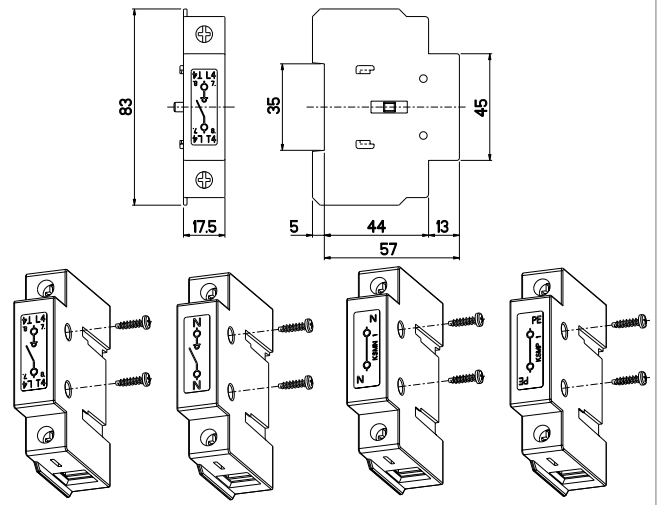
Dimensional drawings, Ensto Compact switch disconnectors

Dimensions
in mm

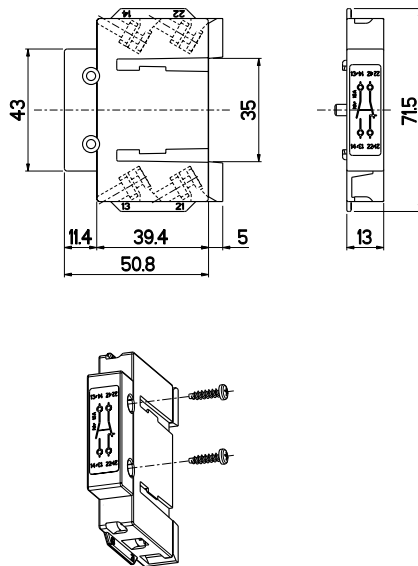
KS1.XX, KS1N, KSN1, KSP1



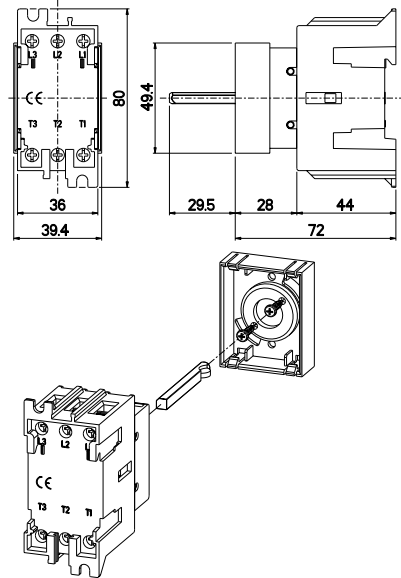
KSM1.XXX, KSM1N, KSMN1, KSMP1



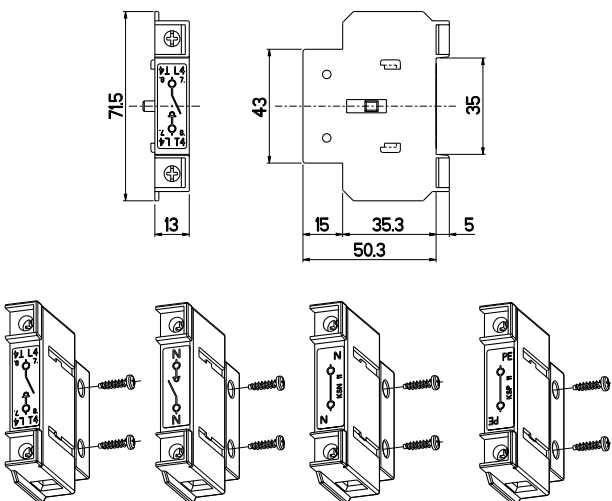
KSA1



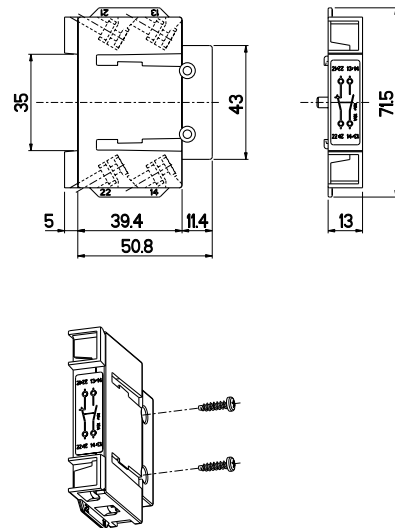
KS13.XX



KS11.XX, KS11N, KSN11, KSP11

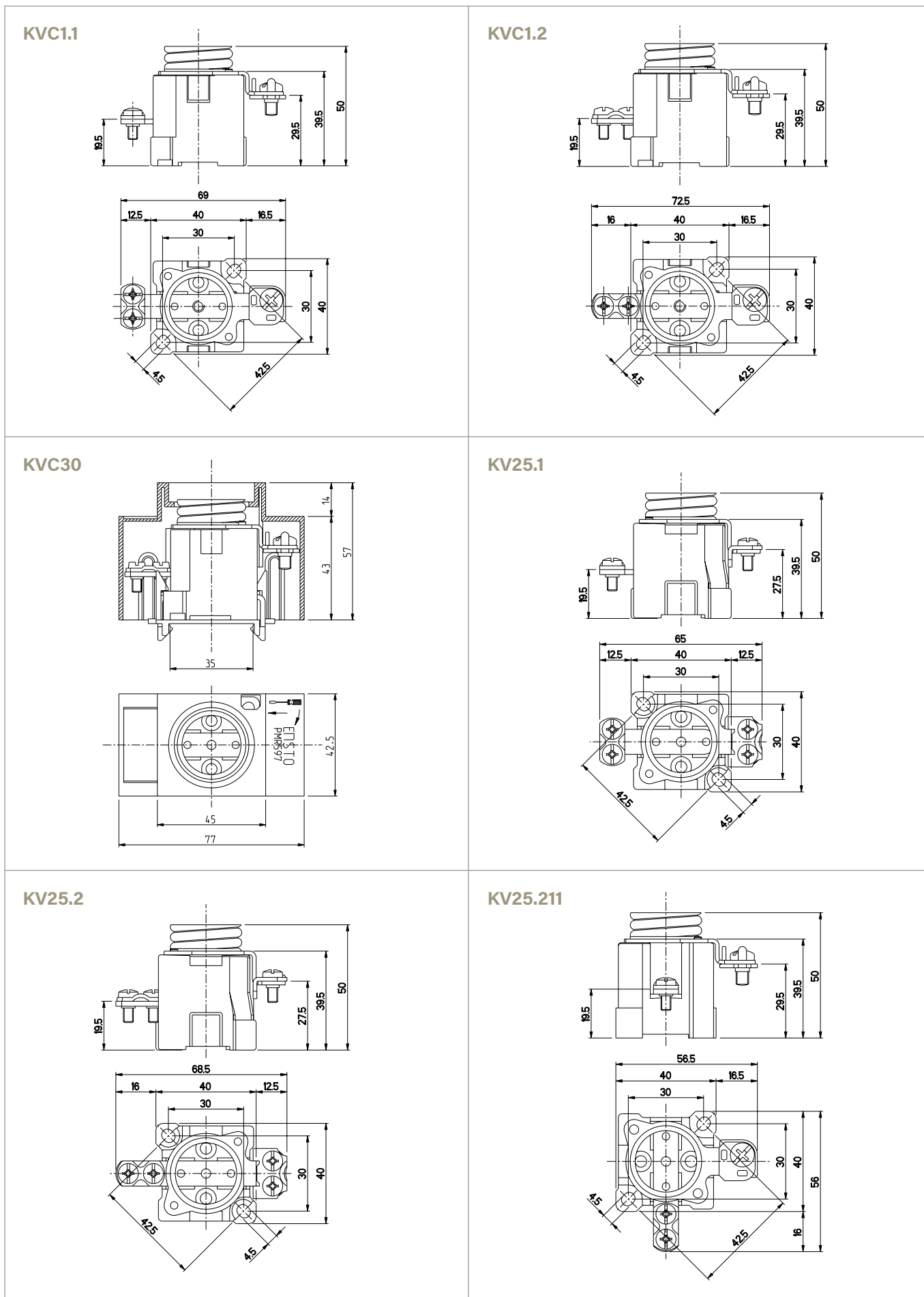


KSA11



Dimensional drawings, fuse-bases

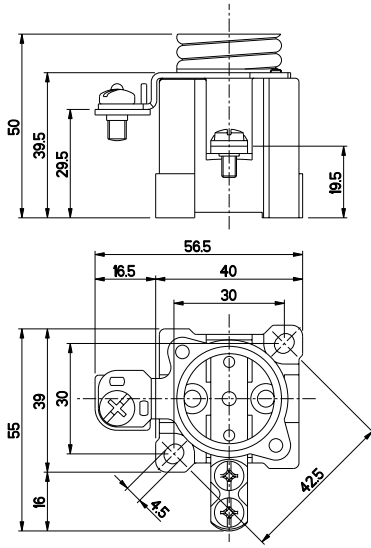
Dimensions in mm



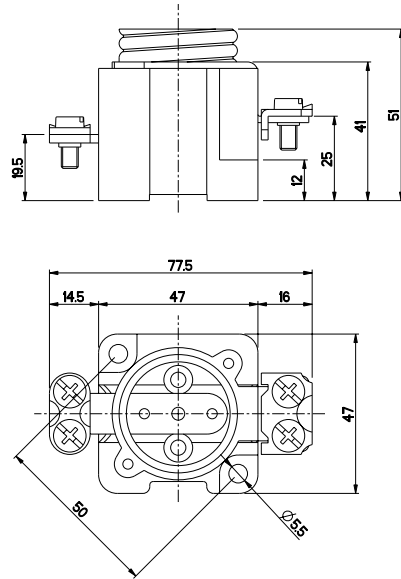
Dimensional drawings, fuse-bases

Dimensions in mm

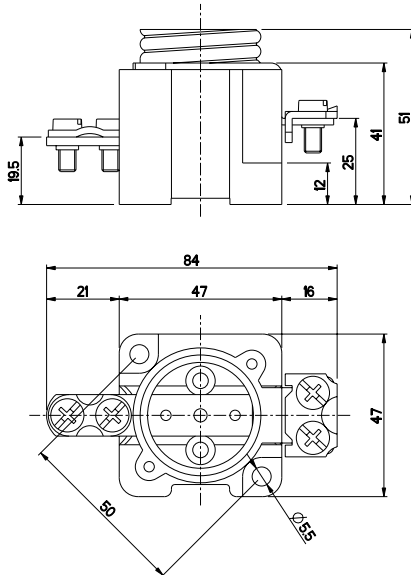
KV25.291



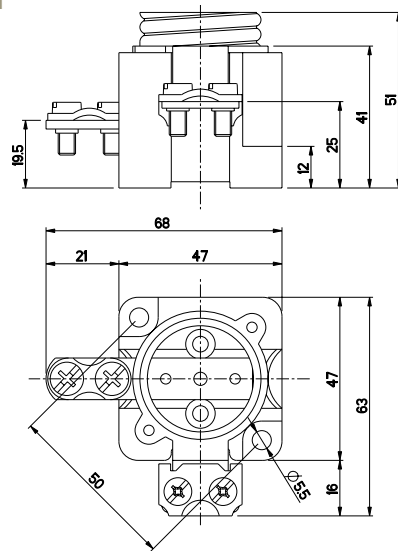
KV63.1



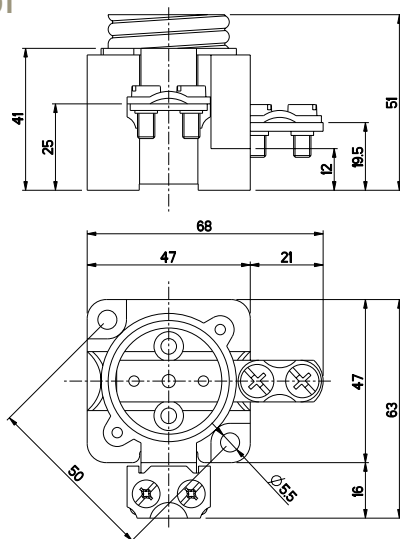
KV63.2



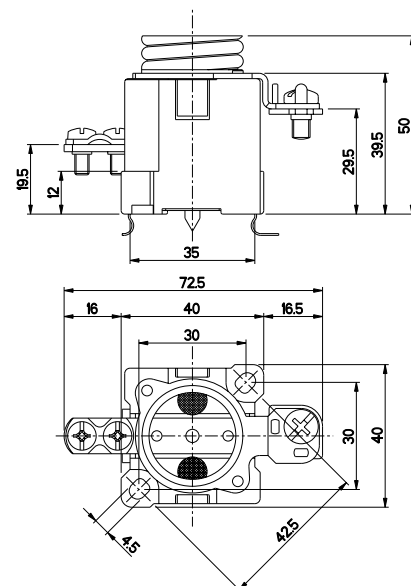
KV63.211



KV63.291

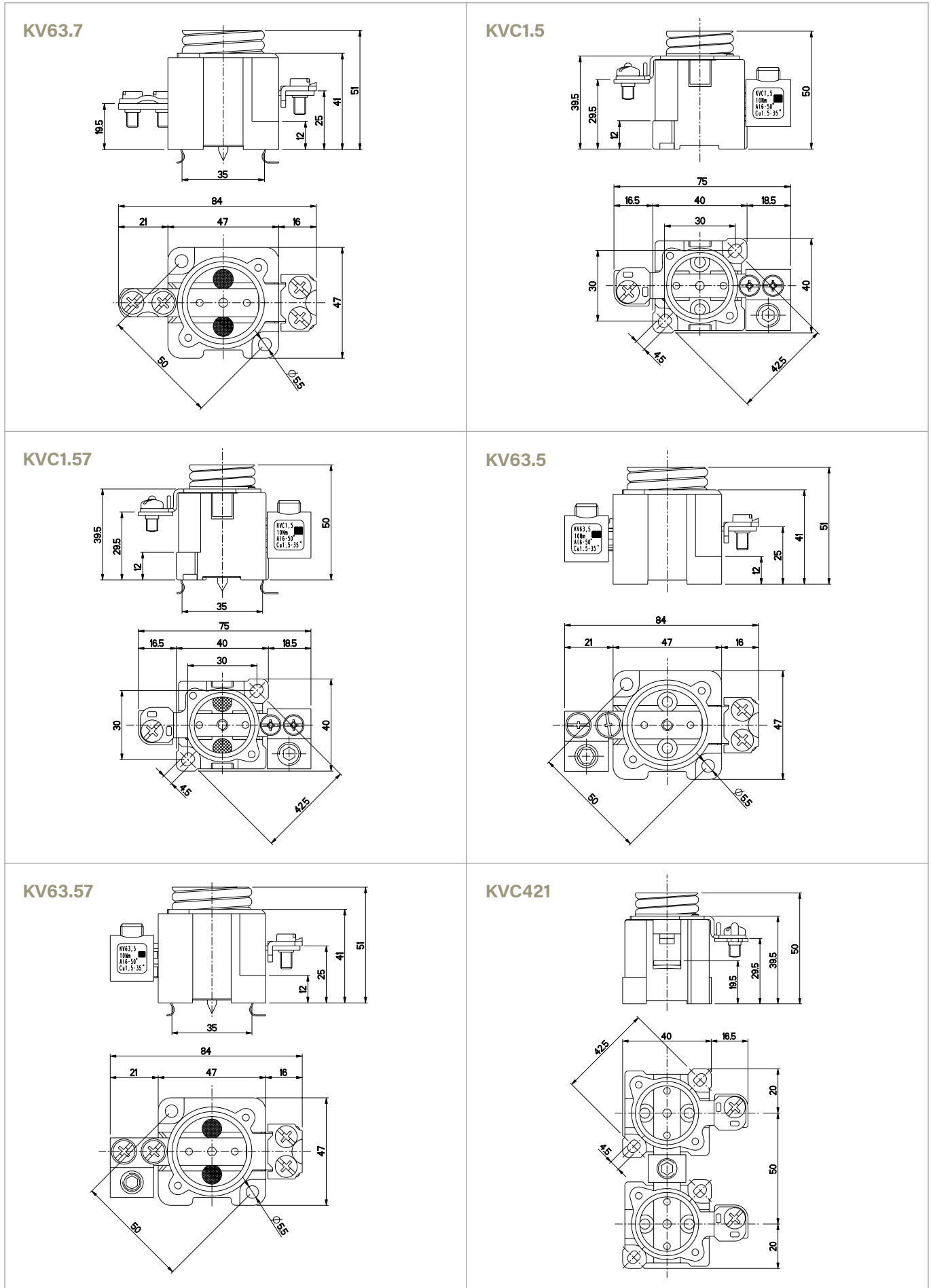


KVC1.7



Dimensional drawings, fuse-bases

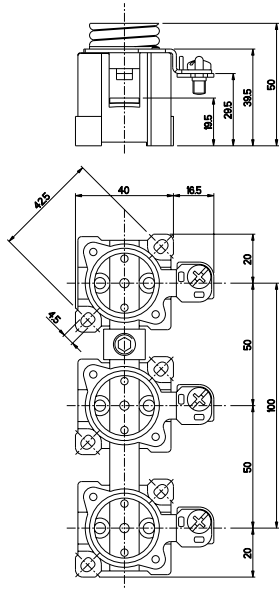
Dimensions in mm



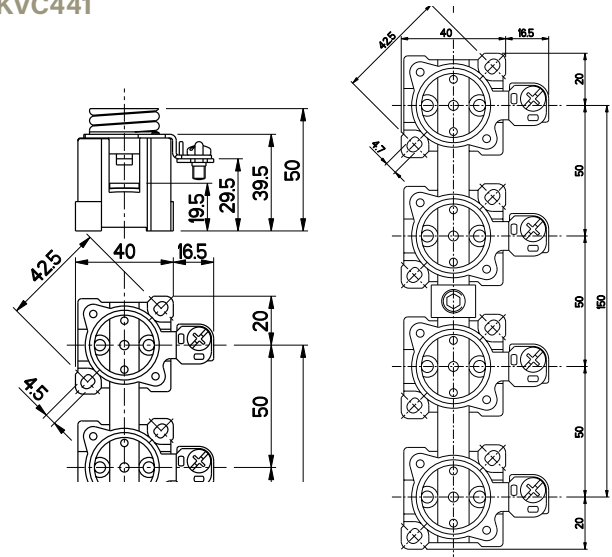
Dimensional drawings, fuse-bases

Dimensions in mm

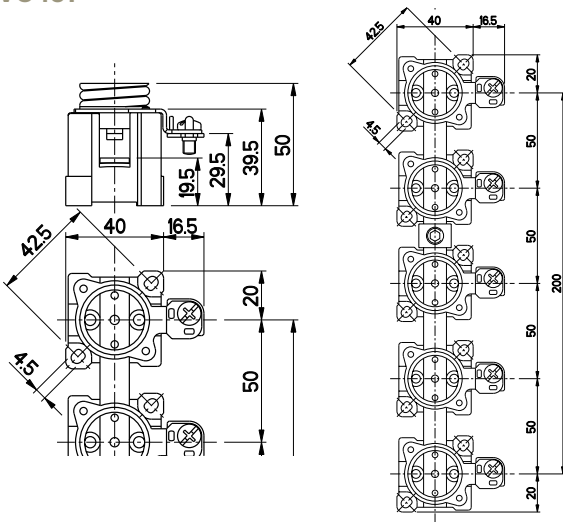
KVC431



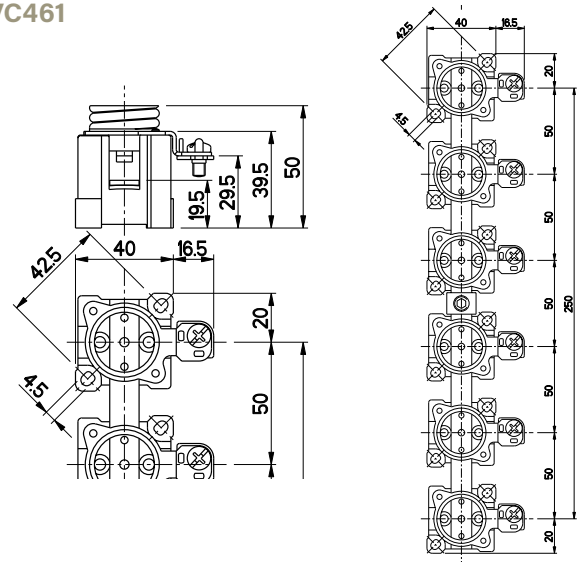
KVC441



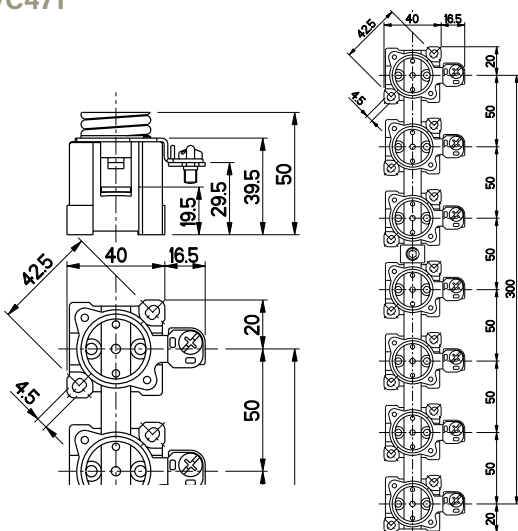
KVC451



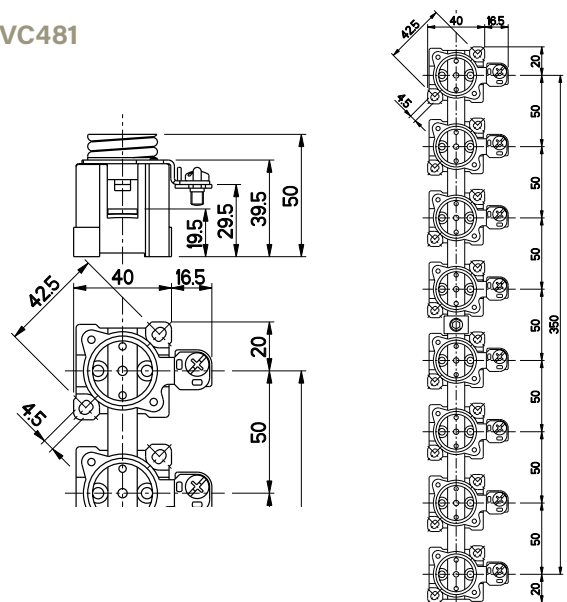
KVC461



KVC471



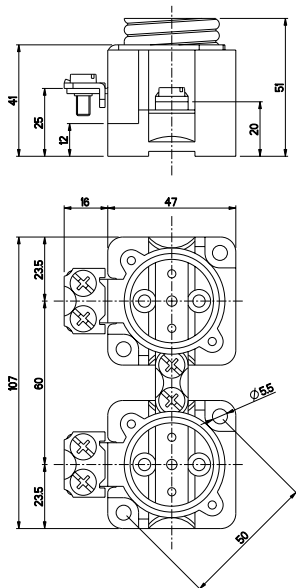
KVC481



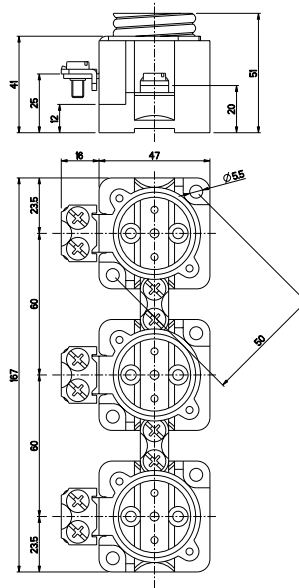
Dimensional drawings, fuse-bases

Dimensions in mm

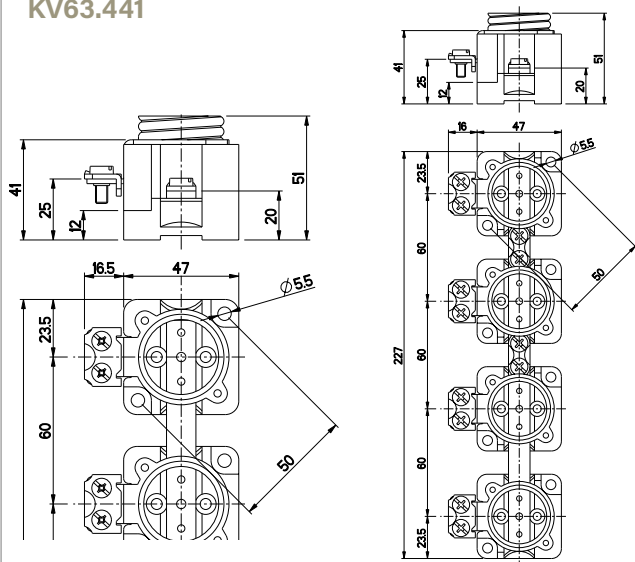
KV63.421



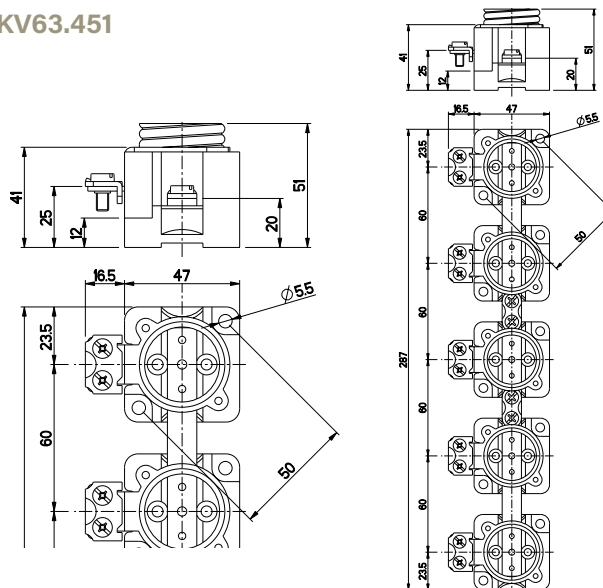
KV63.431



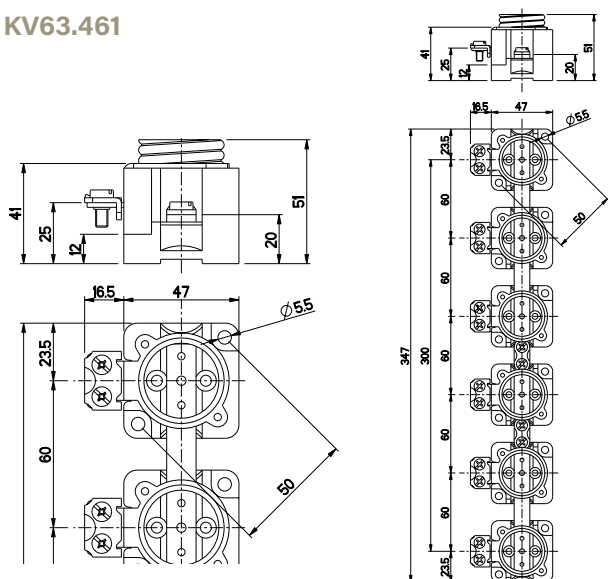
KV63.441



KV63.451



KV63.461



Index

A			
AH2242	24		
AH2463	24		
AL2.12	25, 50		
AL13	25, 50		
K			
KA16.12	23, 49	KE66	9, 17, 43
KA17.12	23, 49	KE66.2	9, 17
KA46	24	KE66.2T	10
KA241.12	23, 49	KE66.3	9, 17
KA242.12	23, 49	KE66.3T	10
KA460.12	23, 49	KE66T	10
KA463.12	23, 49	KE67	9, 17
KA612.12	23, 49	KE67.2	9, 17
KB16.12	23, 49	KE67.3	9, 17
KB17.12	23, 49	KE68	9, 17
KB241.12	23, 49	KE68.2	9, 17
KB242.12	23, 49	KE68.3	9, 17
KB460.12	23, 49	KE69	9, 17
KB463.12	23, 49	KE69.2	9, 17
KB612.12	23, 49	KE69.3	9, 17
KD160.01	25, 50	KE70	9
KD160.12	25, 50	KE70.2	9
KE12.12	18, 45	KE70.3	9
KE12.20	18, 45	KE161	14, 44
KE52.2	18, 45	KE161.2	14
KE53.2	18, 45	KE161.4	14
KE54.2	18, 45	KE161.6	14
KE60	8	KE162	14, 44
KE60.2	8	KE162.2	14
KE60.3	8	KE162.4	14
KE61	8, 42, 44	KE162.6	14
KE61.03	8	KE163	14, 44
KE61.03	42, 43, 44	KE163.2	14
KE61.2	8	KE163.4	14
KE61.2T	10	KE163.6	14
KE61.3	8	KE164	14, 44
KE61.03T	10	KE164.2	14
KE61SET	10	KE164.4	14
KE61T	10	KE164.6	14
KE62	8, 42	KEL60	10
KE62.2	8	KEL61	10
KE62.2T	10	KEL62	10
KE62.3	8, 11, 42	KEL63	10
KE62.3T	10	KEL64	10
KE62SET	10	KEL161	14
KE62T	10	KEL162	14
KE63	8, 42	KEL163	14
KE63.2	8	KEL164	14
KE63.3	8, 11, 43	KF7.70	20, 46
KE64	8, 42	KF8.70	20, 46
KE64.2	8	KJ18	28, 52
KE65	9	KJ18.1	28
		KJ19	28, 53
		KJ20	28, 53
		KJ20.1	28
		KJ25	28, 52
		KJ25.1	28
		KN2.2	28
		KN2.3	28
		KN2.4	28
		KN2.5	28
		KN2.6	28
		KN2.7	28
		KN2.8	28
		KN4.102	26, 51
		KN4.104	26, 51
		KN4.106	26, 51
		KN4.108	26, 51
		KN4.110	26, 51
		KN4.112	26, 51
		KN4.204	27, 51
		KN4.206	27, 51
		KN4.208	27, 51
		KN4.210	27, 51
		KN4.212	27, 51
		KNA4.104	26, 51
		KNA4.104P	27, 51
		KNA4.106	26, 51
		KNA4.106P	27, 51
		KNA4.108	26, 51
		KNA4.108NP	27, 51
		KNA4.108P	27, 51
		KNA4.110	26, 51
		KNA4.110P	27, 51
		KNA4.112	26, 51
		KNA4.112P	27, 51
		KNA4.114	26, 51
		KNA4.114NP	27, 51
		KNA4.114P	27, 51
		KNA4.120	26, 51
		KNA4.120NP	27, 51
		KNA4.120P	27, 51
		KNA4.126NP	27, 51
		KNA4.136NP	27, 51
		KNA5.108	27, 51
		KNA5.113	27, 51
		KNA5.117	27, 51
		KNA5.120	27, 51
		KNA5.125	27, 51
		KNA5.130	27, 51
		KNA5.134	27, 51
		KNA5.138	27, 51
		KNL2	28, 53
		KR5031	21, 47
		KR5131	21, 47
		KR8031	21, 47
		KR8041	21, 47
		KR8121	21, 47
		KR10021	21, 47
		KR10031	21, 48
		KRL6	22
		KRL7	22
		KRL8	22
		KRL1505.02	22
		KRL1508.02	24
		KRL4010.02	24
		KRL6012.02	24
		KRL6012.03	24
		KRL6067.02	22
		KRL6067.03	22
		KRL6067.04	22
		KS1.16	34
		KS1.20	34
		KS1.25	34
		KS1.32	34
		KS1.40	34
		KS1.63	34
		KS1N	34, 56
		KS1.xx	56
		KS3.16	33
		KS3.16RY	33
		KS3.20	33
		KS3.20RY	33
		KS3.25	33
		KS3.25C	34
		KS3.25RY	33
		KS3.32	33
		KS3.32RY	33
		KS3.40	33
		KS3.40C	34
		KS3.40N	34, 55
		KS3.40RY	33
		KS3.63	33
		KS3.63N	34, 55
		KS3.63RY	33
		KS3.xx	55
		KS3.xxRY	55
		KS11.16	36
		KS11.20	36
		KS11.25	36
		KS11.32	36
		KS11.40	36
		KS11.63	36
		KS11N	36, 56
		KS11.xx	56
		KS13.16	36
		KS13.20	36
		KS13.25	36
		KS13.32	36
		KS13.40	36
		KS13.63	36
		KS13.xx	56
		KS23.055	35
		KS23.090	35
		KS23.150	35
		KS23.200	35
		KS23.300	35
		KS31.16	33
		KS31.20	33
		KS31.25	33
		KS31.32	33
		KS31.40	33
		KS31.63	33

KS31.xx	55	KVC471	40, 60
KSA1	34, 56	KVC481	40, 60
KSA11	36, 56	KW2	40
KSH48	35, 36	KW20	40
KSH48.01.....	35, 36		
KSM1.63.....	34	P	
KSM1.80.....	34	PJ3.25	40
KSM1.100.....	34	PJ4.63	40
KSM1.125.....	34		
KSM1N	34, 56		
KSM1.xxx.....	56		
KSM3.63.....	33		
KSM3.63RY.....	33		
KSM3.80.....	33		
KSM3.80N.....	34		
KSM3.80RY	33		
KSM3.100.....	33		
KSM3.100N.....	34, 55		
KSM3.100RY	33		
KSM3.125.....	33		
KSM3.125RY	33		
KSM3.xxx.....	55		
KSM3.xxxRY	55		
KSM31.63.....	33		
KSM31.80.....	33		
KSM31.100.....	33		
KSM31.125.....	33		
KSM31.xxx.....	55		
KSM.80N.....	55		
KSMN1	34, 56		
KSMP1	34, 56		
KSN1	34, 56		
KSN11	36, 56		
KSP1	34, 56		
KSP11	36, 56		
KV25.1	39, 57		
KV25.2	39, 57		
KV25.211.....	39, 57		
KV25.291.....	39, 58		
KV63.1	39, 58		
KV63.2	39, 58		
KV63.5	39, 59		
KV63.7	39, 59		
KV63.57.....	39, 59		
KV63.211.....	39, 58		
KV63.291.....	39, 58		
KV63.421.....	40, 61		
KV63.431.....	40, 61		
KV63.441.....	40, 61		
KV63.451.....	40, 61		
KV63.461.....	40, 61		
KV63.721.....	40		
KV63.731.....	40		
KV63.741	40		
KV63.751.....	40		
KV63.761.....	40		
KVC1.1	39, 57		
KVC1.2	39, 57		
KVC1.5	39, 59		
KVC1.7	39, 58		
KVC1.57.....	39, 59		
KVC30	39, 57		
KVC421	40, 59		
KVC431	40, 60		
KVC441	40, 60		
KVC451	40, 60		
KVC461	40, 60		

ELECTROMECHANICAL COMPONENTS FOR INDUSTRIAL USE



Website
www.legrand.fi/en



X
[/Legrand](https://twitter.com/Legrand)



LinkedIn
[/legrand](https://www.linkedin.com/company/legrand)



Instagram
[/legrandnews](https://www.instagram.com/legrandnews)



Youtube
[@legrandnordiczone](https://www.youtube.com/@legrandnordiczone)

LEGRAND FINLAND OY
legrand.finland@legrand.com

