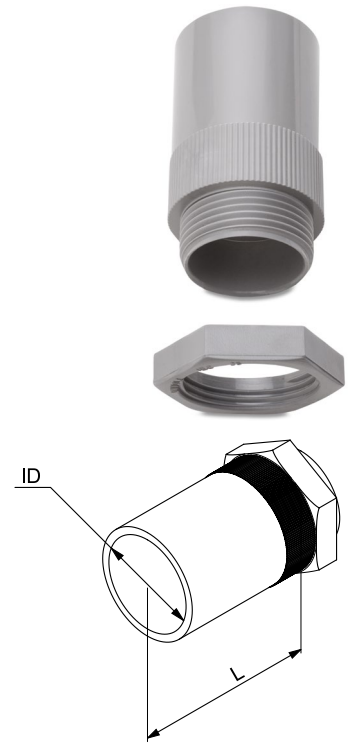


Data sheet

ID	AMT/LN GY
Description	adaptor with male thread and lock nut
Properties	for the connection of rigid or pliable conduits with distribution and enclosure boxes
Colour	black, similar to RAL 9005



Art. no.	Nominal diameter	Thread connection size	Small Package	Large Package
020 792	20 mm	M20 x 1.5	100 pc	1200 pc
020 793	25 mm	M25 x 1.5	50 pc	600 pc

Further technical details

Details	
Model	Straight
Revolving thread	False
Construction type	External thread
Type of connection	Thread
One-piece	False
With integrated holder	False
Material sealing	No sealing
Material	PVC-U