

# Ensto Clampo Pro 1000 V terminals

For Al/Cu conductors from 2,5 mm<sup>2</sup> to 150 mm<sup>2</sup>



## Why choose the Ensto Clampo Pro 1000 V terminals

- Suitable for 1000 VAC and VDC
- Compact size
  - Can be installed next to each other without partition plates
- Suitable for both aluminium and copper conductors
- Short circuit tested class A terminals
- Higher temperature range (90 °C)

## Technical features

- Housing: fiberglass reinforced polyamide
  - Better mechanical strength vs. polyamide
  - Better insulating capacity
  - 90°C temperature range achieved for the material
- Colours:
  - Red and black versions for DC applications
  - Grey and blue for AC applications (KE6x.3 to be used as a grounding terminal)

## Conformity



## Standards

For copper conductors:	EN 60947-7-1:2009
For aluminium conductors:	EN 61238-1:2003
UL recognition	UL 1059
Connector class:	A

## Technical information

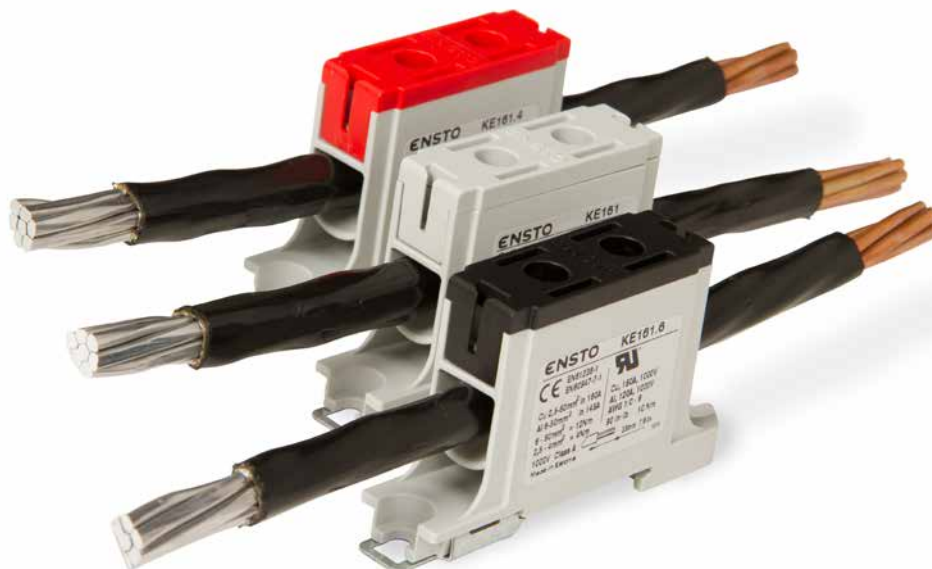
Cross-section range:	Al 6 - 150 mm <sup>2</sup> Cu 2.5 - 150 mm <sup>2</sup>
Nominal current range:	145 - 320 A
Operating temperature:	max. 90 °C
Pollution degree:	3

## Material

Housing:	Fiberglass reinforced polyamide
Body and screws:	Tin-coated aluminium

## Mechanical features

Screw heads:	Hexagonal
Mounting:	Screws or DIN rail



# Ensto Clampo Pro 1000 V terminals

## Ensto Clampo Pro 1000 V, one-pole terminal blocks

Product code	Conductor cross-section (mm <sup>2</sup> )	Colour	Nominal current (A)	Nominal insulation voltage (V)	Screw head hexagon (mm)	Tightening torque (Nm)	Mounting	Weight (kg)	Package size (pcs)	EAN 13 code
KE161	Cu 2,5-50 mm <sup>2</sup> Al 6-50 mm <sup>2</sup>	Grey	Cu 160 A, Al 145 A	1000 V	5 mm	4 Nm (2.5-4mm <sup>2</sup> ), 12 Nm (6-50mm <sup>2</sup> )	DIN rail/screw	0.045	30	6438100181758
KE161.2	Cu 2,5-50 mm <sup>2</sup> Al 6-50 mm <sup>2</sup>	Blue	Cu 160 A, Al 145 A	1000 V	5 mm	4 Nm (2.5-4mm <sup>2</sup> ), 12 Nm (6-50mm <sup>2</sup> )	DIN rail/screw	0.045	30	6438100181765
KE161.4	Cu 2,5-50 mm <sup>2</sup> Al 6-50 mm <sup>2</sup>	Red	Cu 160 A, Al 145 A	1000 V	5 mm	4 Nm (2.5-4mm <sup>2</sup> ), 12 Nm (6-50mm <sup>2</sup> )	DIN rail/screw	0.045	30	6438100181772
KE161.6	Cu 2,5-50 mm <sup>2</sup> Al 6-50 mm <sup>2</sup>	Black	Cu 160 A, Al 145 A	1000 V	5 mm	4 Nm (2.5-4mm <sup>2</sup> ), 12 Nm (6-50mm <sup>2</sup> )	DIN rail/screw	0.045	30	6438100181789
KE162	Al/Cu 16-95 mm <sup>2</sup>	Grey	Cu 245 A, Al 220 A	1000 V	5 mm	20 Nm	DIN rail/screw	0.091	30	6438100160616
KE162.2	Al/Cu 16-95 mm <sup>2</sup>	Blue	Cu 245 A, Al 220 A	1000 V	5 mm	20 Nm	DIN rail/screw	0.091	30	6438100160623
KE162.4	Al/Cu 16-95 mm <sup>2</sup>	Red	Cu 245 A, Al 220 A	1000 V	5 mm	20 Nm	DIN rail/screw	0.091	30	6438100160647
KE162.6	Al/Cu 16-95 mm <sup>2</sup>	Black	Cu 245 A, Al 220 A	1000 V	5 mm	20 Nm	DIN rail/screw	0.091	30	6438100160654
KE163	Al/Cu 35-150 mm <sup>2</sup>	Grey	Cu 320 A, Al 290 A	1000 V	8 mm	20 Nm (35-95mm <sup>2</sup> ), 30 Nm (120-150mm <sup>2</sup> )	DIN rail/screw	0.143	30	6438100181796
KE163.2	Al/Cu 35-150 mm <sup>2</sup>	Blue	Cu 320 A, Al 290 A	1000 V	8 mm	20 Nm (35-95mm <sup>2</sup> ), 30 Nm (120-150mm <sup>2</sup> )	DIN rail/screw	0.143	30	6438100181802
KE163.4	Al/Cu 35-150 mm <sup>2</sup>	Red	Cu 320 A, Al 290 A	1000 V	8 mm	20 Nm (35-95mm <sup>2</sup> ), 30 Nm (120-150mm <sup>2</sup> )	DIN rail/screw	0.143	30	6438100181819
KE163.6	Al/Cu 35-150 mm <sup>2</sup>	Black	Cu 320 A, Al 290 A	1000 V	8 mm	20 Nm (35-95mm <sup>2</sup> ), 30 Nm (120-150mm <sup>2</sup> )	DIN rail/screw	0.143	30	6438100181826

The nominal currents in the table are for maximum cross-sections.

## UL recognitions

Product code	Wire type	AWG* 1 wire/terminal	AWG* 2 Cu-wires/ terminal	AWG* 3 Cu-wires/ terminal	Max insulation voltage	Max current	Tightening torque	Allen-hex socket head terminal screw	Dimensions (W x H x D)
KE161	Cu	1/0 - 6	6	8	1000 V	150 A	90 lb-in	5 mm	3.25 x 1.89 x 0.76 In
	Al	1/0 - 6			1000 V	120 A	(10 Nm)		(82.5 x 48 x 19.2 mm)
KE162	Cu	4/0 - 4	2 - 6	6	1000 V	230 A	126 lb-in	5 mm	3.74 x 2.16 x 0.98 In
	Al	4/0 - 4			1000 V	180 A	(14 Nm)		(95 x 55 x 25 mm)
KE163	Cu	300 - 2	1/0 - 2	2	1000 V	285 A	216 lb-in	8 mm	4.15 x 2.58 x 1.20 In
	Al	300 - 2			1000 V	230 A	(24 Nm)		(105.5 x 65.5 x 30.4 mm)

Standard UL 1059, UL category XCFR2, file # E 192532.

\* AWG = American Wire Gauge

All terminal blocks are delivered with oxide-inhibiting compound applied.



KE161



KE161.2



KE162.6

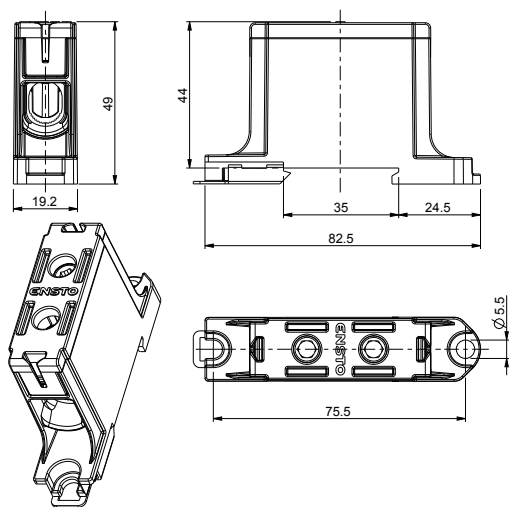


KE163.4

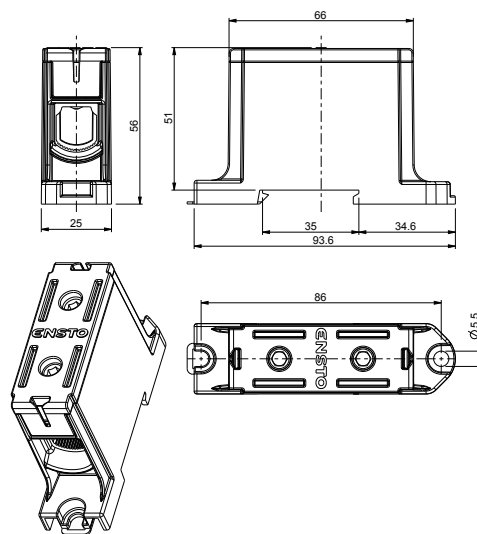
# Dimensional drawings

Dimensions in mm

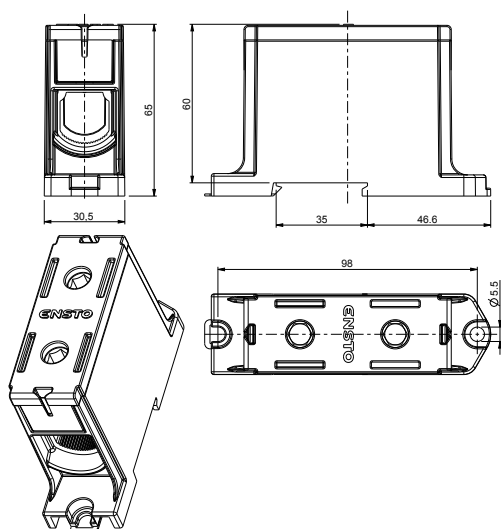
## KE161



## KE162



## KE 163



This box is intentionally left empty.