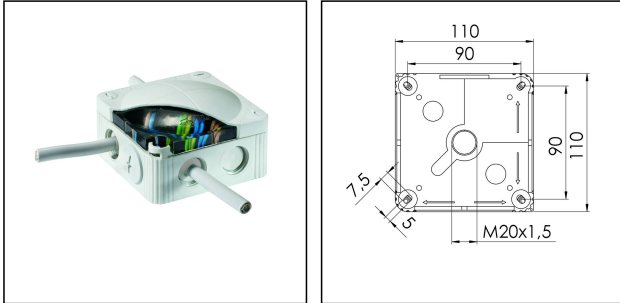


COMBI IP68 SET 607/5 LG

Junction boxes 110x110x66mm, plastic, RAL 7035, with sealing compound, terminal



Products may differ in size, colour and appearance to those shown. If you require further information or customisation, please contact us directly.



Material	Polypropylene
Material sealing gasket	TPE
Temp. range min	-30 °C
Temp. range max	100 °C
Temperatures during install.	-5 °C - 60 °C
Protection class	IP68 (15 m 170 h)
Glow wire test	750 °C
Voltage	690 V
Rated current / A (Terminal)	41 A
Rated cross section	6 mm ²
Terminals/poles	5 x 6,0 mm ²
Fixing	4 internal openings
Ø cable diameter min	5,2 mm
Ø cable diameter max	17 mm
External dimensions LxWxH	110 x 110 x 66 mm
Using for cable gland	
Product Color	RAL 7035
Order no. RAL 7035	10066635
Type	COMBI IP68 SET 607/5 LG
Packing unit	1
ETIM-Classification	EC002600

Remarks:

Junction box with sealing compound
with terminal block 5-poles, 6mm²

Your Contact:

WISKA Hoppmann GmbH
Kisdorfer Weg 28 · 24568 Kaltenkirchen · Germany
☎ +49-4191-508-0 · 📠 +49-4191-508-209
contact@wiska.de · www.wiska.com

Filling material: silicone gel

Filling material in practical mixing bag, Plastic sprue for easy removal, screw plug

Spare parts

Refill Kit COMBI 607 IP68

10101850

02.02.2021

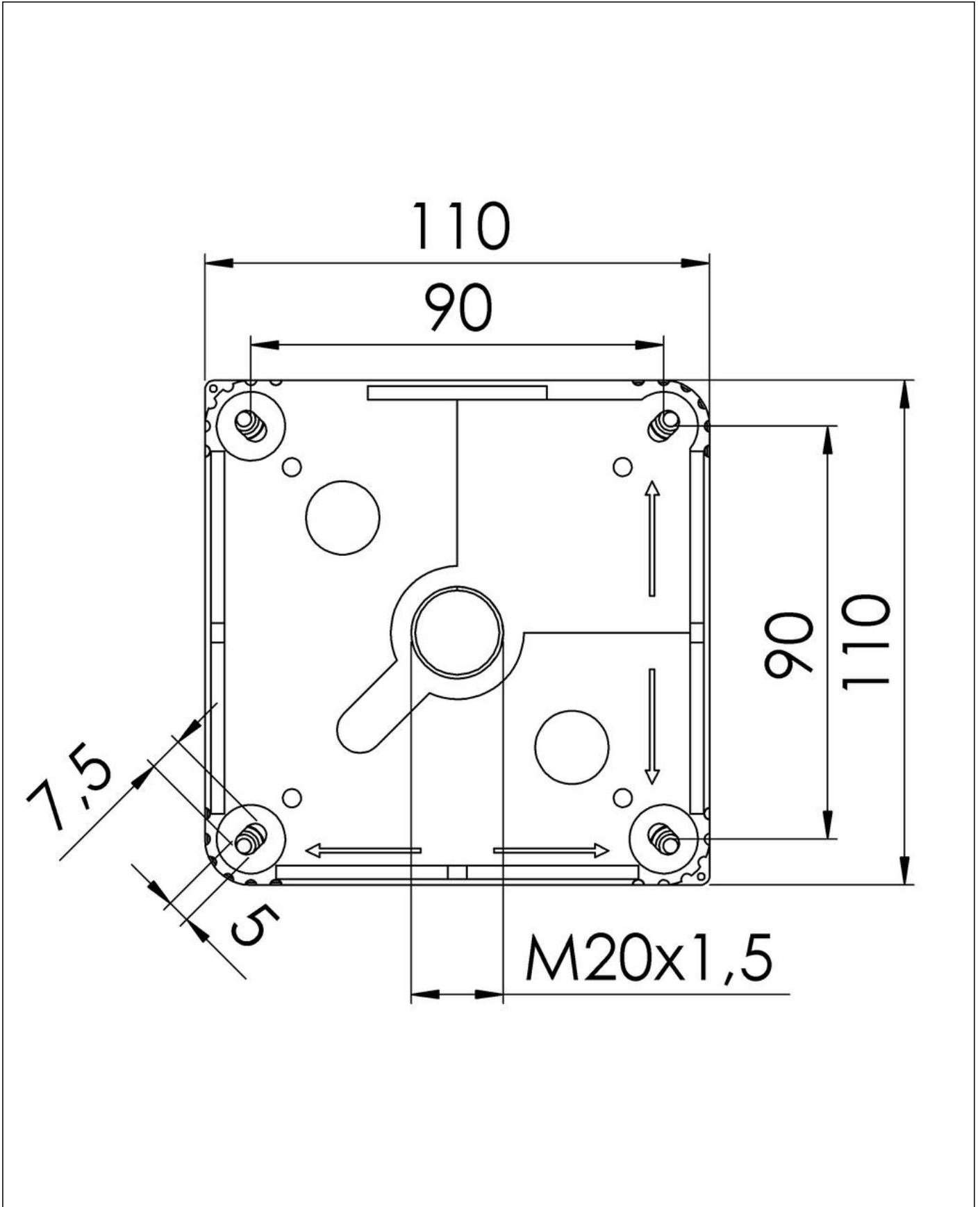
Your Contact:

WISKA Hoppmann GmbH

Kisdorfer Weg 28 · 24568 Kaltenkirchen · Germany

☎ +49-4191-508-0 · 📠 +49-4191-508-209

contact@wiska.de · www.wiska.com



Your Contact:

WISKA Hoppmann GmbH

Kisdorfer Weg 28 · 24568 Kaltenkirchen · Germany

☎ +49-4191-508-0 · 📠 +49-4191-508-209

contact@wiska.de · www.wiska.com