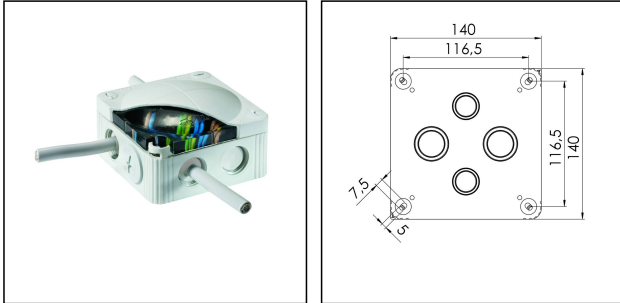



## COMBI IP68 SET 1010/5 LG

Junction boxes 140x140x82mm, plastic, RAL 7035, with sealing compound, terminal



Products may differ in size, colour and appearance to those shown. If you require further information or customisation, please contact us directly.



|                                     |   |
|-------------------------------------|---|
| <b>Material</b>                     | Polypropylene   |
| <b>Material sealing gasket</b>      | TPE   |
| <b>Temp. range min</b>              | -30 °C  |
| <b>Temp. range max</b>              | 100 °C  |
| <b>Temperatures during install.</b> | -5 °C - 60 °C   |
| <b>Protection class</b>             | IP68 (15 m 170 h)   |
| <b>Glow wire test</b>               | 750 °C  |
| <b>Voltage</b>                      | 690 V   |
| <b>Rated current / A (Terminal)</b> | 57 A  |
| <b>Rated cross section</b>          | 10 mm <sup>2</sup>  |
| <b>Terminals/poles</b>              | 5 x 10,0 mm <sup>2</sup>  |
| <b>Fixing</b>                       | 4 internal openings   |
| <b>Ø cable diameter min</b>         | 6 mm  |
| <b>Ø cable diameter max</b>         | 21 mm   |
| <b>External dimensions LxWxH</b>    | 140 x 140 x 82 mm   |
| <b>Using for cable gland</b>        |  |
| <b>Product Color</b>                | RAL 7035  |
| <b>Order no. RAL 7035</b>           | 10066636  |
| <b>Type</b>                         | COMBI IP68 SET 1010/5 LG  |
| <b>Packing unit</b>                 | 1   |
| <b>ETIM-Classification</b>          | EC002600  |

Remarks:

Junction box with sealing compound  
with terminal block 5-poles, 10mm<sup>2</sup>

Your Contact:

**WISKA Hoppmann GmbH**  
Kisdorfer Weg 28 · 24568 Kaltenkirchen · Germany  
☎ +49-4191-508-0 · 📠 +49-4191-508-209  
contact@wiska.de · www.wiska.com

**Filling material: silicone gel**

**Filling material in practical mixing bag, Plastic sprue for easy removal, screw plug**

## Spare parts

**SP-HKT 1010 Terminal block**

**22000408**

02.02.2021

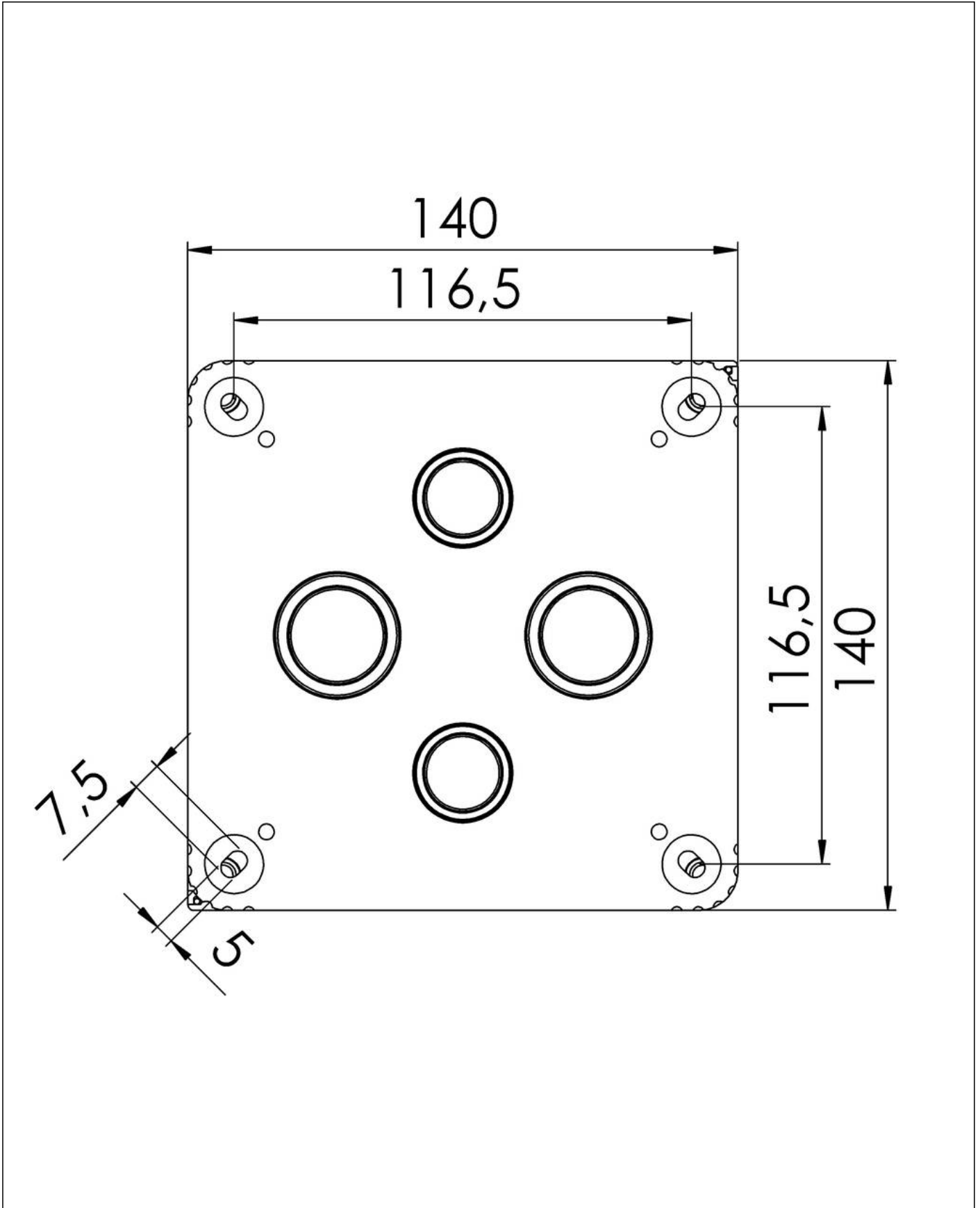
Your Contact:

**WISKA Hoppmann GmbH**

Kisdorfer Weg 28 · 24568 Kaltenkirchen · Germany

☎ +49-4191-508-0 · 📠 +49-4191-508-209

contact@wiska.de · www.wiska.com



Your Contact:

**WISKA Hoppmann GmbH**

Kisdorfer Weg 28 · 24568 Kaltenkirchen · Germany

☎ +49-4191-508-0 · 📠 +49-4191-508-209

contact@wiska.de · www.wiska.com